

DAYTON

SPECIFICATIONS

Dayton® Hospitality Sinks
Model DW11515 and DW11516

GENERAL

Sink is formed of #23 gauge, 300 series, nickel-bearing stainless steel. Top mount.

DESIGN FEATURES

Bowl Depth: 5-1/8" (130mm).

Coved Corners: 2-1/4" (57mm) vertical and horizontal radius.

Finish: Exposed surfaces are polished to a Satin finish.

Underside: Undercoated on bottom of bowl to reduce condensation and dampen sound.

OTHER

Drain Opening: 2" (51mm) DW11515, 3-1/2" (89mm) DW11516.

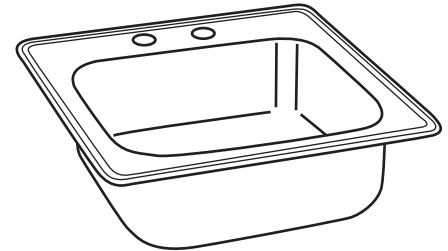
Master Pack: Sinks are nested with rim wrapper in quantities of 10 or 50.

Installation Hardware: Included for 3/4" (19mm) thick countertops.

Sink complies with ASME A112.19.3/ CSA B45.4



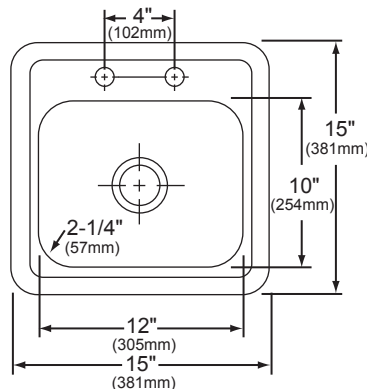
Sinks are listed by IAPMO® as meeting the applicable requirements of the Uniform Plumbing Code®, International Plumbing Code®, and National Plumbing Code of Canada.



SINK DIMENSIONS (INCHES)*

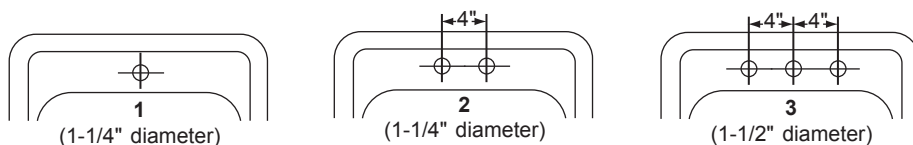
| Model Number | Master Pack | Overall | | Inside Bowl | | | Cutout in Countertop (1-1/2" (38mm) Radius Corners) | | No of 1-1/2" (38mm) Faucet Holes | Minimum Cabinet Size |
|--------------|-------------|---------------|---------------|---------------|---------------|------------------|---|-------------------|----------------------------------|----------------------|
| | | L | W | L | W | D | L | W | | |
| | | A | B | C | D | E | L | W | | |
| DW1011515 | 10 | 15 (381mm) | 15 (381mm) | 12 (305mm) | 10 (254mm) | 5 1/8 (130mm) | 14 3/8 (365mm) | 14 3/8 (365mm) | 1,2 or 3 | 18 (457mm) |
| DW5011515 | 50 | 15 (381mm) | 15 (381mm) | 12 (305mm) | 10 (254mm) | 5 1/8 (130mm) | 14 3/8 (365mm) | 14 3/8 (365mm) | 1,2 or 3 | 18 (457mm) |
| DW1011516 | 10 | 15 (381mm) | 15 (381mm) | 12 (305mm) | 10 (254mm) | 5 1/8 (130mm) | 14 3/8 (365mm) | 14 3/8 (365mm) | 1,2 or 3 | 18 (457mm) |
| DW5011516 | 50 | 15 (381mm) | 15 (381mm) | 12 (305mm) | 10 (254mm) | 5 1/8 (130mm) | 14 3/8 (365mm) | 14 3/8 (365mm) | 1,2 or 3 | 18 (457mm) |

*Length is left to right. Width is front to back.



Bowl Depth is 5-1/8" (130mm)

HOLE DRILLING CONFIGURATIONS



In keeping with our policy of continuing product improvement, Elkay reserves the right to change product specifications without notice. Please visit elkayusa.com for most current version of Elkay product specification sheets.

This specification describes an Elkay product with design, quality and functional benefits to the user. When making a comparison of other producers' offerings, be certain these features are not overlooked.

Elkay

elkayusa.com

2222 Camden Court
Oak Brook, IL 60523

©2013 Elkay

(Rev 3/13) 2-68B