

DAYTON SPECIFICATIONS

Dayton® Elite Double Bowl Sink Models DSEMR23322 and DSEMR23322R

GENERAL

Sink is formed of #20 gauge type 300 series nickel-bearing stainless steel. Top mount.

DESIGN FEATURES

Bowl Depth: 8" (203mm) (large bowl) 5-1/8" (130mm) (small bowl).

Coved Corners: 3" (76mm) vertical (small bowl) and 2-3/4" (70mm) (large bowl) horizontal radius.

Finish: Exposed surfaces are polished to an Elite Satin finish.

Underside: Fully undercoated.

OTHER

Drain Opening: 3-1/2" (89mm).

OPTIONAL ACCESSORIES

Bottom Grid: GBG2115SS

Cutting Board: CB1516 (large bowl), CBS715 (small bowl),

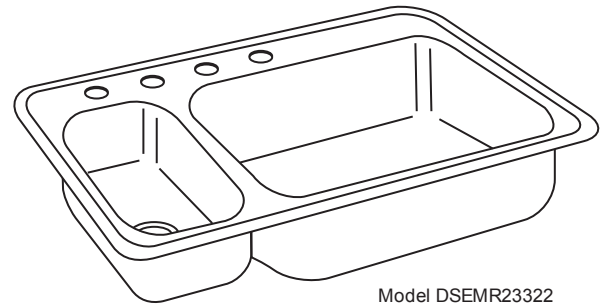
CB816 (small bowl)

Drain: D1125

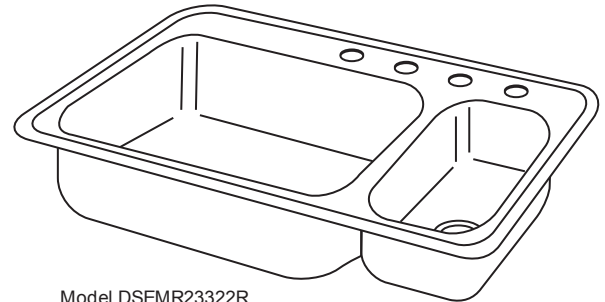
Sink complies with ASME A112.19.3/ CSA B45.4



Sinks are listed by IAPMO® as meeting the applicable requirements of the Uniform Plumbing Code®, International Plumbing Code®, and National Plumbing Code of Canada.



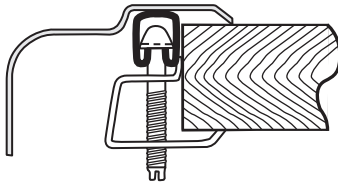
Model DSEMR23322



Model DSEMR23322R



U-Channel Type Mounting System



SEE NEXT PAGE FOR PRODUCT DIMENSIONS.

In keeping with our policy of continuing product improvement, Elkay reserves the right to change product specifications without notice. Please visit elkayusa.com for most current version of Elkay product specification sheets.

This specification describes an Elkay product with design, quality and functional benefits to the user. When making a comparison of other producers' offerings, be certain these features are not overlooked.

Elkay

elkayusa.com

2222 Camden Court
Oak Brook, IL 60523

©2013 Elkay

(Rev. 5/13) 2-9H

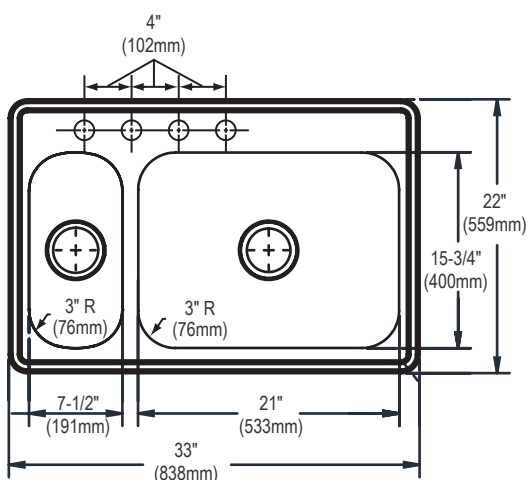
Dayton® Elite Double Bowl Sink
Models DSEMR23322 and DSEMR23322R

DAYTON
SPECIFICATIONS

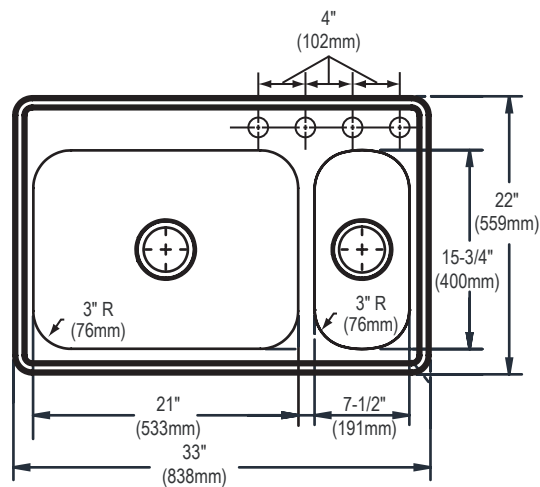
SINK DIMENSIONS (INCHES)*

Model Number	Overall		Inside Each Bowl						Cutout in Countertop (1½" (38mm) Radius Corners)	No. of 1½" (38mm) Dia. Faucet Holes 4" (102mm) Centers	Minimum Cabinet Size	
			Left			Right						
DSEMR23322	33 (838mm)	22 (559mm)	7½ (191mm)	15¼ (400mm)	5⅞ (130mm)	21 (533mm)	15¼ (400mm)	8 (203mm)	32⅞ (822mm)	21⅞ (543mm)	3 or 4	36 (914mm)
DSEMR23322R	33 (838mm)	22 (559mm)	21 (533mm)	15¼ (400mm)	8 (203mm)	7½ (191mm)	15¼ (400mm)	5⅞ (130mm)	32⅞ (822mm)	21⅞ (543mm)	3 or 4	36 (914mm)

*Length is left to right. Width is front to back.



Model DSEMR233224 Illustrated

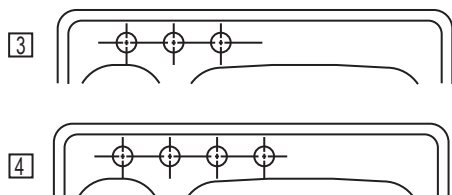


Model DSEMR23322R4 Illustrated

Hole Drilling Configurations

1-1/2" (38mm) Diameter Faucet Holes on 4" (102mm) Centers

Model DSEMR23322



Model DSEMR23322R

