


PRODUCT SPECIFICATIONS

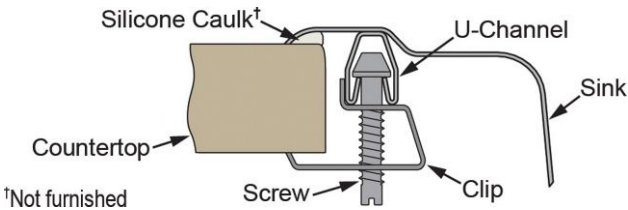
Lustertone® Stainless Steel Double Bowl Top Mount Quick-Clip® Sink + Faucet Kit. Overall dimensions are 41" x 19-1/2" x 6". Sink is manufactured from 18 gauge 304 Stainless Steel with a Lustrous Highlighted Satin finish, Full spray sides and bottom.

Installation Type:	Top Mount
Material:	304 Stainless Steel
Finish:	Lustrous Highlighted Satin
Gauge:	18
Sound Deadening:	Full spray sides and bottom
Number of Bowls:	2
Sink Dimensions:	41" x 19-1/2" x 6"
Bowl 1 Dimensions:	10" x 14" x 3-1/2"
Bowl 2 Dimensions:	19" x 16" x 5-7/8"
Drain Size:	2" (51mm), 3-1/2" (89mm)
Minimum Cabinet Size:	42"
Mounting Hardware:	Part # 64090008 included for countertops up to 3/4" (19mm) thick
Cutout Template #:	1000001837 1000001836

Template is available for download at [elkay.com](#)

 This sink is compliant to ADA and ANSI/ICC A117.1 accessibility requirements when installed according to the requirements outlined in these standards.

Installation Profile:



OPTIONAL ACCESSORIES

Hardware:	LK364, LK463 (2 Required)
Sinkmate:	LKSM17, LKSMHOOK, LKSMSPONGE, LKSMHSL



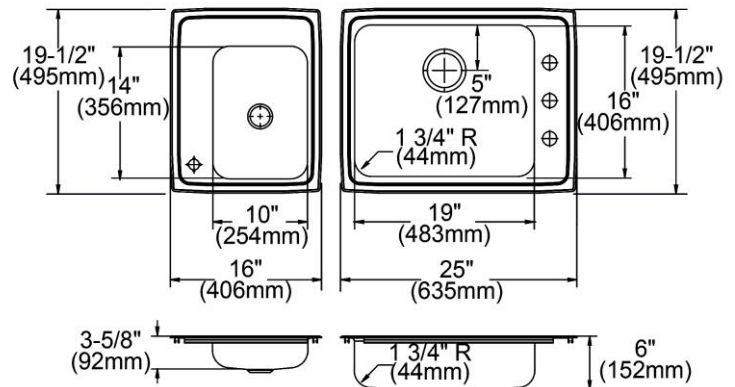
Included with Product: One LKD2439C faucet, one LK1141A bubbler, one LK35 strainer, one LK8 drain fitting

AMERICAN PRIDE. A LIFETIME TRADITION. Like your family, the Elkay family has values and traditions that endure. For almost a century, Elkay has been a family-owned and operated company, providing thousands of jobs that support our families and communities.

Product Compliance: ADA
BUY AMERICAN ACT
ASME A112.19.3/CSA B45.4
Faucet: ASME A112.18.1/CSA B125.1
NSF 61
Accessory: ASME A112.18.2/CSA B125.2

[Clean and Care Manual \(PDF\)](#)
[Installation Instructions \(PDF\)](#)
[Limited Lifetime Warranty \(PDF\)](#)

Similar models are available with: additional ADA depths
Three Faucet Holes 1-1/2" (38mm) Diameter Faucet Holes on 4" (102mm) Centers
One Slotted Hole 1-1/8" (29mm) Diameter Slotted Hole



PART: _____ QTY: _____
PROJECT: _____
CONTACT: _____
DATE: _____
NOTES: _____
APPROVAL: _____

In keeping with our policy of continuing product improvement, Elkay reserves the right to change product specifications without notice. Please visit [elkay.com](#) for the most current version of Elkay product specification sheets. This specification describes an Elkay product with design, quality, and functional benefits to the user. When making a comparison of other producers' offerings, be certain these features are not overlooked.