

DAYTON

SPECIFICATIONS

Dayton® Single Bowl Sink Models DDW12522

GENERAL

Sink is formed of #22 gauge, 300 series, nickel-bearing stainless steel. Top mount.

DESIGN FEATURES

Bowl Depth: 7-1/16" (179mm).

Faucet Deck: raised.

Coved Corners: 4" (102mm) vertical and 3-1/4" (83mm) horizontal radius.

Bowl Finish: Exposed surfaces are polished to a satin finish.

Underside: Undercoated on bottom of bowl to reduce condensation and dampen sound.

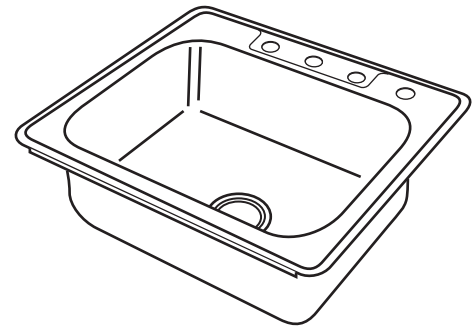
OTHER

Drain Opening: 3-1/2" (89mm).

Master Pack: Sinks are nested with rim wrappers in quantities of 10 or 50.

Installation Hardware: Included for 3/4" (19mm) countertop.

Sink complies with ASME A112.19.3/ CSA B45.4



SINK DIMENSIONS*

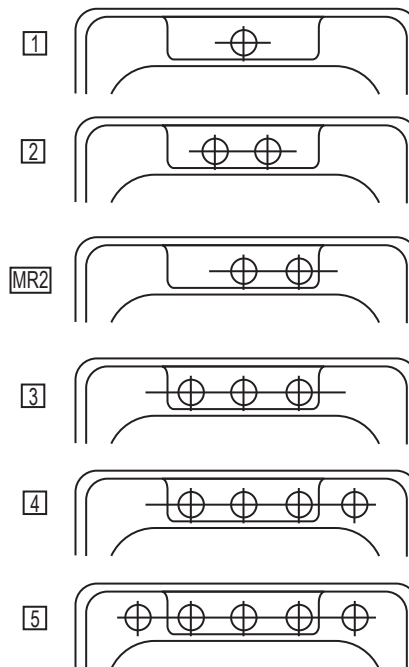
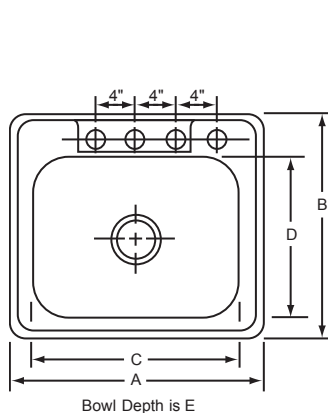
Model Number	Master Pack	Overall		Inside Bowl			Cutout in Countertop (1-1/2" (38mm) Radius Corners)		No. of 1 1/4" (32mm) or 1 1/2" (38mm) Dia. Faucet Holes 4" (102mm) centers	Minimum Cabinet Size
		L	W	L	W	D	L	W		
		A	B	C	D	E	L	W		
DDW1012522	10	25 (635mm)	22 (559mm)	21 (533mm)	15 3/4 (400mm)	7 1/16 (179mm)	24 3/8 (619mm)	21 3/8 (543mm)	1, 2, MR2, 3, 4 or 5	30 (762mm)
DDW5012522	50	25 (635mm)	22 (559mm)	21 (533mm)	15 3/4 (400mm)	7 1/16 (179mm)	24 3/8 (619mm)	21 3/8 (543mm)	1, 2, MR2, 3, 4 or 5	30 (762mm)

* Length is left to right. Width is front to back.

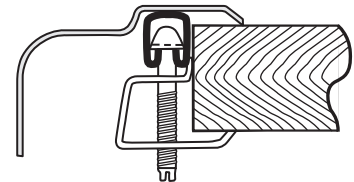


Hole Drilling Configurations

1-1/2" (38mm) Diameter Faucet Holes on 4" (102mm) Centers



U-Channel Type Mounting System



In keeping with our policy of continuing product improvement, Elkay reserves the right to change product specifications without notice. Please visit elkay.com for the most current version of Elkay product specification sheets.

This specification describes an Elkay product with design, quality, and functional benefits to the user. When making a comparison of other producers' offerings, be certain these features are not overlooked.