

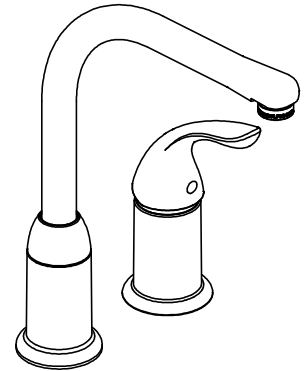
# ELKAY®

## SPECIFICATIONS

### FEATURES

- Removable ceramic disc cartridge
- Two 1 3/8" (35mm) diameter faucet holes required
- 1.5GPM flow regulator installed
  - Optional 2.2GPM flow regulator also included with the faucet
- 3/8" diameter copper tube supply lines with 1/2" male IPS adaptors
- 0° spout rotation
- Max countertop thickness: 2.5" (63mm)
- Chrome finish
- 36" Flexible nylon connector hose
- Ship weight: 3.7 lbs (1.68 kg)

### Remote Handle Kitchen Faucet Model LKF4121RS



### WARRANTY

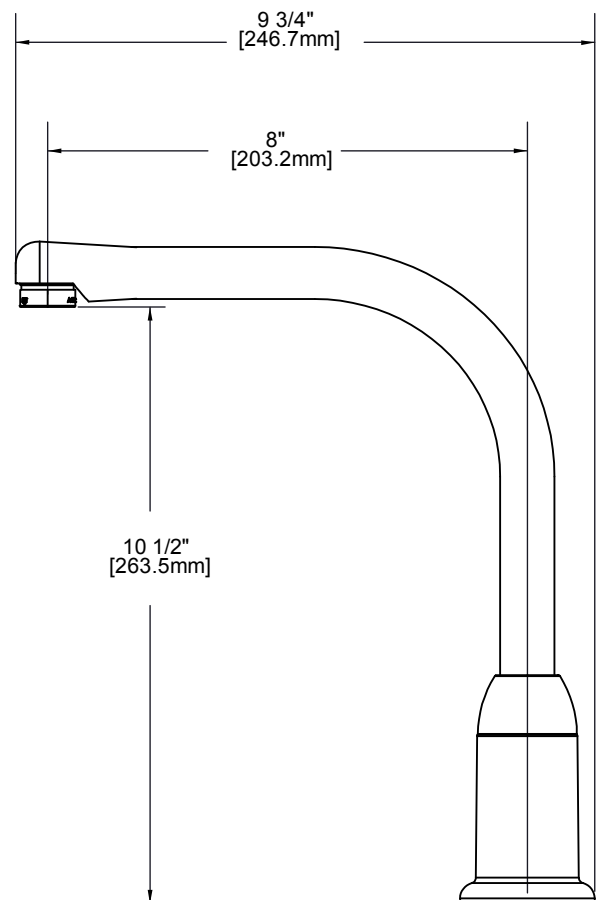
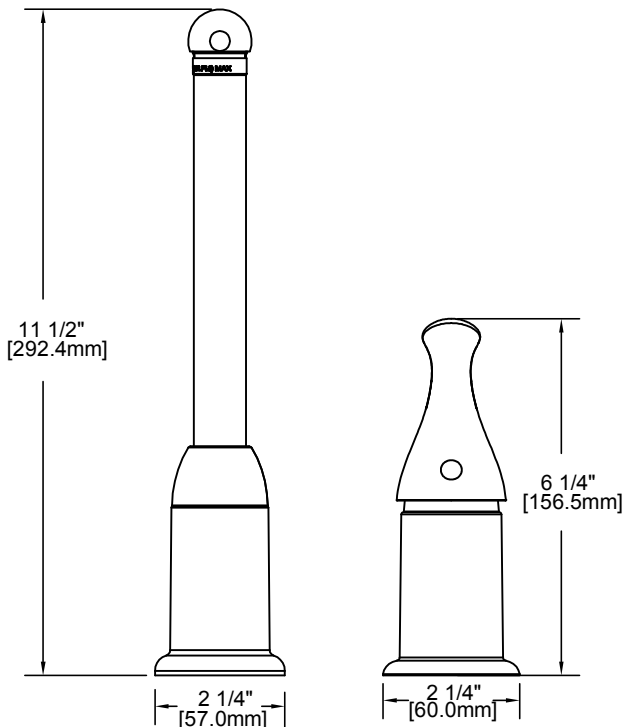
- Limited Lifetime

### ACCESSORIES (Sold Separately):

- LK105 - Air gap
- LK3712 - Swivel Aerator
- A55061 - Vandal Resistant Aerator

### COMPLIES WITH:

- ADA
- cUPC
- ANSI/NSF61
- CA AB1953
- ASME A112.18.1/CSA B125.1



Please reference Installation Instructions for replacement parts.