

Item No.:	_____	Qty.	_____
Model No.:	_____		
Project No.:	_____		



14" Super Economy Series Sinks

14" Deep Super Economy One Compartment Stainless Steel Sinks

S1C18X18-2-18X

Options

- Faucets
- Tub Accessories
- Undershelves
- Rotary Drain Options
- H-Frame Stainless Steel Legs
- Stainless Steel Feet Options (bullet & flange styles)

Specifications

14" Super Economy Series Sink, with one compartment, both left and right drainboards, 9" backsplash, 18 gauge, 300 series stainless steel top and bowl, galvanized legs & adjustable feet, raised 1-1/2" rolled edge, includes 3-1/2" basket strainer, NSF approved

Features

- 18 Ga. stainless steel
- Welded construction for consistent metal gauge thickness throughout
- 14" (355.6 mm) deep tub with 3/4" (19.1 mm) coved radius tub corners
- All drainboards are die stamped for positive drainage
- 9" (228.6 mm) backsplash with tile ledge for easy installation
- Raised 1-1/2" (38.1 mm) diameter rolled edge
- 3-1/2" (88.9 mm) drain with basket strainer included
- 1-5/8" (41.3 mm) galvanized legs with 1" (25.4 mm) adjustable plastic feet

Materials

- Sink & Bowl: 18 Ga. 300 series stainless steel
- Top: Drainboards and backsplash are 18 gauge 300 series stainless steel.
- Legs: All sinks furnished with 1-5/8" (41.3 mm) diameter heavy gauge galvanized tubing with plated galvanized leg gussets and high impact corrosion resistant fully adjustable 1" (25.4 mm) feet.

Mechanical

- 1-1/8" (28.6mm) faucet holes on 8" (203mm) centers
- 3-1/2" (88.9mm) waste drain opening

Flyer Product



AUTOQUOTES



In keeping with our policy of continuing product improvement, Elkay SSP reserves the right to change product specifications without notice.

This specification describes an Elkay SSP product with design, quality and functional benefits to the user. When making a comparison of other producers' offerings, be certain these features are not overlooked.



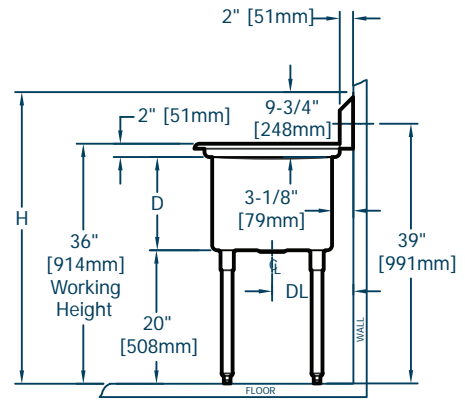
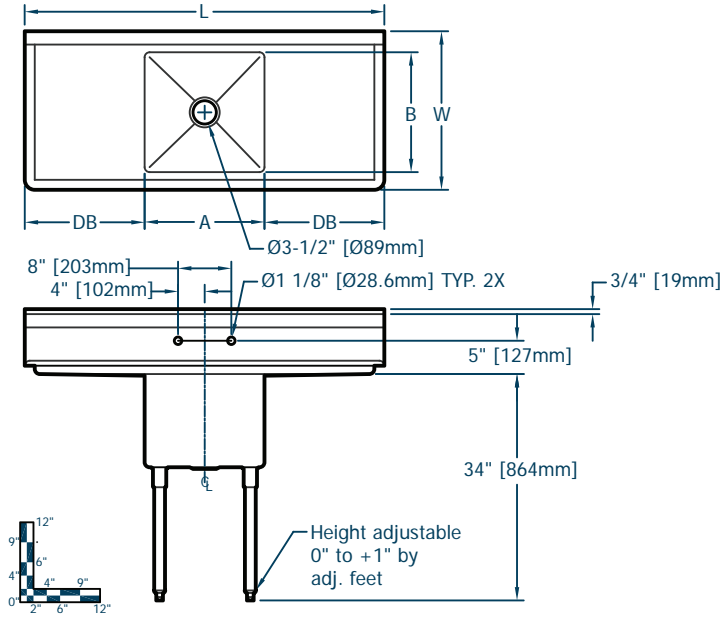
Item No.: _____ Qty. _____

Model No.: _____

Project No.: _____

14" Super Economy Series Sinks

14" Deep Super Economy One Compartment Stainless Steel Sinks



14" Super Economy Series Sinks

Model Number	Bowl Dimensions			Overall Size			Drainboard		Drain		Weight								
	Width		Front-to-Back		Length		Height		Location	Size	Location								
	A	mm	B	mm	L	mm	W	mm	H	mm	DB	DL	lbs.	kg					
S 1C 18 X 18 2 18 X	18	457	18	457	14	356	54	1372	23.8	605	43.8	1111	L & R	18	457	12	305	59	27

