

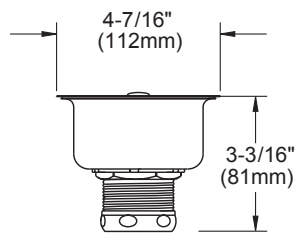
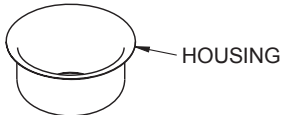
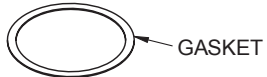
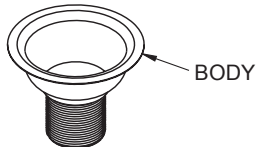
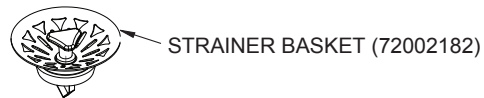
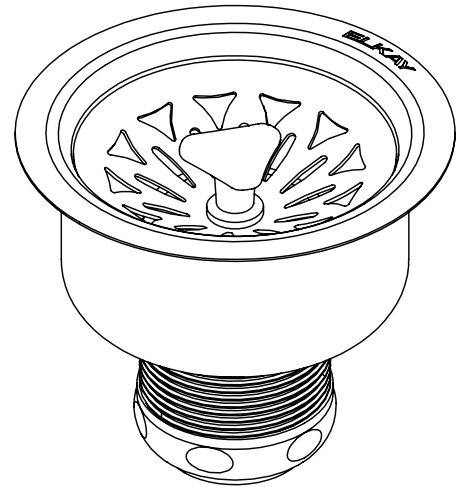
# ELKAY<sup>®</sup>

## SPECIFICATIONS

### Sink Accessories Drain Fitting Model LKDT5

#### GENERAL

- Stainless steel body and removable conical basket strainer with locking stem and rubber stopper
- Fits 3-1/2" (89mm) opening
- Satin finish



*In keeping with our policy of continuing product improvement, Elkay reserves the right to change product specifications without notice. Please visit [elkayusa.com](http://elkayusa.com) for most current version of Elkay product specification sheets.*

*This specification describes an Elkay product with design, quality and functional benefits to the user. When making a comparison of other producers' offerings, be certain these features are not overlooked.*