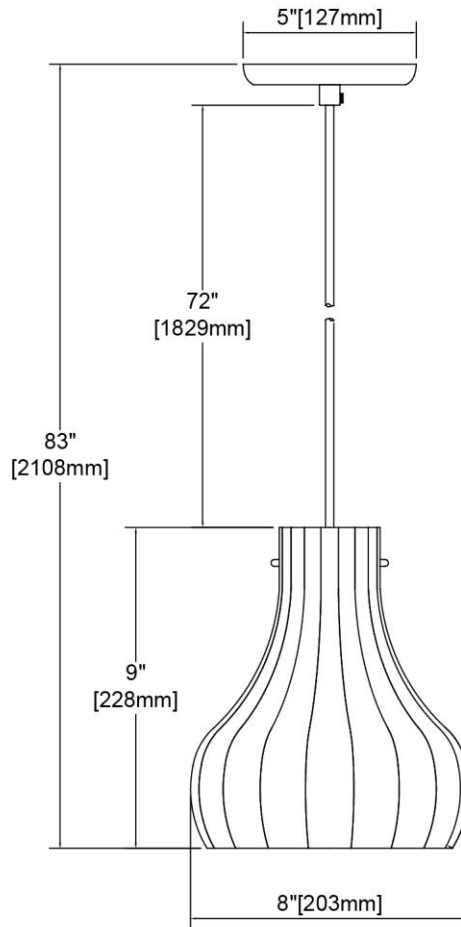




| | |
|--------------------|---|
| ITEM #: | 30170/1 |
| UPC | 748119137827 |
| Description | Coastal Scallop 1-Light Mini Pendant in Satin Nickel with Seafoam Sugar Scavo Glass |
| Finish | Satin Nickel |
| Materials | Glass, Steel |
| Brand | ELK Lighting |
| Collection | Coastal Scallop |
| Category | Indoor Lighting |
| Type | Mini Pendant |

| ITEM DIMENSIONS | | | | RATINGS & SPECIFICATIONS | | | | |
|---------------------------|------------|-------------|-----------|--------------------------------|---------------------------|----------------|------------------------|-----------------------|
| Width | 8 inches | | | Safety Rating | ETL | | Certification | Dry locations |
| Depth | 8 inches | | | ADA Compliant | N/A | | Voltage | 120 volts |
| Height | 9 inches | | | BULBS / SOCKETS | | | | |
| Weight | 3 pounds | | | Quantity | 1 | Wattage | 60 watts | |
| ADDITIONAL DIMENSIONS | | | | Included | No | | Type | A19 (E26 Medium Base) |
| Backplate / Canopy | 5 diameter | | | Other | N/A | | | |
| HCWO | N/A | | | CHAIN / CORD INFORMATION | | | | |
| Min. Extension | N/A | | | Chain | N/A | | Cord | 72 inches - Clear |
| Max. Extension | N/A | | | SHADE / GLASS DETAILS | | | | |
| OVERALL HEIGHT | | | | Shade/Glass Description | Seafoam Sugar Scavo Glass | | | |
| Min. | 11 inches | Max. | 83 inches | | | | | |
| EXTENSION ROD(S) | | | | Width | 8 inches | | Height | 9 inches |
| N/A | | | | Width at Top | N/A | | Width at Bottom | N/A |



Rev. 12/12/2019