
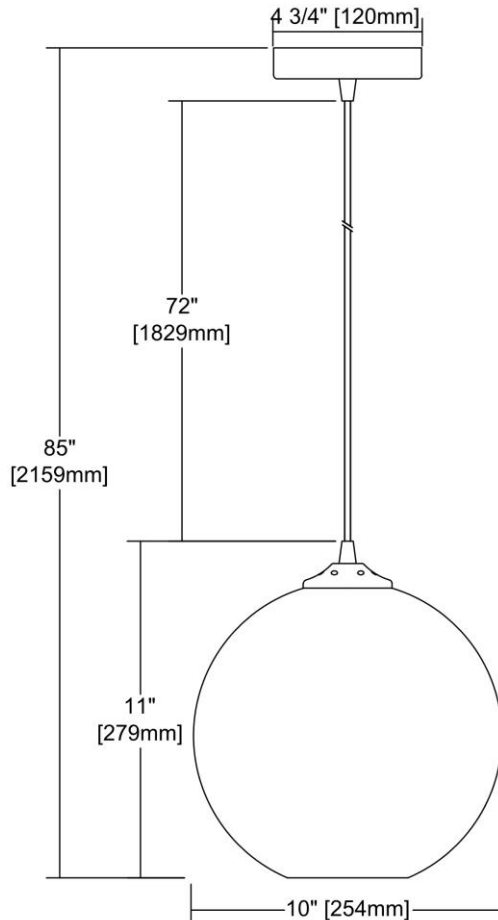


|   |                    |   |
|---|--------------------|---|
|  | <b>ITEM #:</b>     | 31380/1PRP  |
|   | <b>UPC</b>         | 748119110899  |
|   | <b>Description</b> | Watersphere 1-Light Mini Pendant in Chrome with Hammered Purple Glass |
|   | <b>Finish</b>      | Polished Chrome   |
|   | <b>Materials</b>   | Glass, Metal  |
|   | <b>Brand</b>       | ELK Lighting  |
|   | <b>Collection</b>  | Watersphere   |
|   | <b>Category</b>    | Indoor Lighting   |
|   | <b>Type</b>        | Mini Pendant  |

| ITEM DIMENSIONS              |           |             |     | RATINGS & SPECIFICATIONS        |                       |                |                        |                       |
|------------------------------|-----------|-------------|-----|---------------------------------|-----------------------|----------------|------------------------|-----------------------|
| <b>Width</b>                 | 10 inches |             |     | <b>Safety Rating</b>            | UL                    |                | <b>Certification</b>   | N/A                   |
| <b>Depth</b>                 | 10 inches |             |     | <b>ADA Compliant</b>            | N/A                   |                | <b>Voltage</b>         | N/A                   |
| <b>Height</b>                | 11 inches |             |     | <b>BULBS / SOCKETS</b>          |                       |                |                        |                       |
| <b>Weight</b>                | 3 pounds  |             |     | <b>Quantity</b>                 | 1                     | <b>Wattage</b> | 100 watts              |                       |
| <b>ADDITIONAL DIMENSIONS</b> |           |             |     | <b>Included</b>                 | No                    |                | <b>Type</b>            | A19 (E26 Medium Base) |
| <b>Backplate / Canopy</b>    | 4.75x4.75 |             |     | <b>Other</b>                    | N/A                   |                |                        |                       |
| <b>HCWO</b>                  | N/A       |             |     | <b>CHAIN / CORD INFORMATION</b> |                       |                |                        |                       |
| <b>Min. Extension</b>        | N/A       |             |     | <b>Chain</b>                    | N/A                   |                | <b>Cord</b>            | N/A                   |
| <b>Max. Extension</b>        | N/A       |             |     | <b>SHADE / GLASS DETAILS</b>    |                       |                |                        |                       |
| <b>OVERALL HEIGHT</b>        |           |             |     | <b>Shade/Glass Description</b>  | Purple Hammered Glass |                |                        |                       |
| <b>Min.</b>                  | N/A       | <b>Max.</b> | N/A |                                 |                       |                |                        |                       |
| <b>EXTENSION ROD(S)</b>      |           |             |     | <b>Width</b>                    | N/A                   |                | <b>Height</b>          | N/A                   |
| N/A                          |           |             |     | <b>Width at Top</b>             | N/A                   |                | <b>Width at Bottom</b> | N/A                   |



Rev. 5/9/2019