

TECHNE SERIES  
**BELLAGIO**



3X LAYER MESH FILTER



CRS  
CFM REDUCTION



HEAT GUARD



CLEAN FILTER ALARM



REPLACE FILTER ALARM

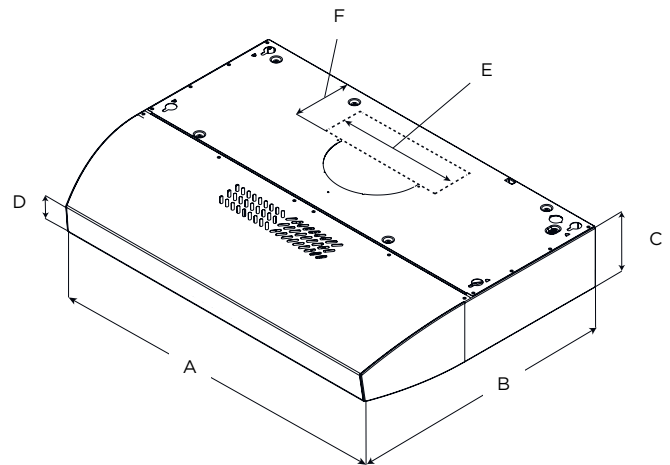


LED LIGHT

ELICA'S EXCLUSIVE PLUS FEATURES

With a compact 4 3/4" height, Bellagio is an ideal choice where under-cabinet space is limited. An upgraded 4-speed, 430 CFM internal blower provides sufficient ventilation power for most kitchens. Bellagio also offers convenient LED Lights, dishwasher-safe, anodized aluminum mesh filters and multi-function electronic controls with LCD display.

Available in 30" or 36" width, Bellagio is designed for standard ducted installation, and can also be installed as a recirculating system using the Recirculating Kit, available as an accessory.



≥24"



≥30"

MOUNTING  
HEIGHT  
RANGE

	Models	
	EBL430S1	EBL436S1
A	30" (76.2 cm)	36" (91.4 cm)
B	20" (50.8 cm)	
C	4 3/4" (12 cm)	
D	2 2/5" (5.7 cm)	
E	3 1/4" x 10" (8.3 x 25.4 cm)	
F	5 1/10" (13 cm)	

## SPECIFICATIONS

Width:	30" UNIT	36" UNIT
Model:	EBL430S1	EBL436S1
Dimensions:	30"W x 20"D x 4 3/4"H	36"W x 20"D x 4 3/4 "H
Blower Type(internal):**	430 CFM, 3-Speed + boost	
Noise (sones):**	6.1 Sones	
Finish:	Stainless Steel	
Controls:	Multi-function electronic with LCD display	
Illumination:	2 LED Lights, 6.5 W, 3000 K	
Grease Filter:	Dishwasher- Safe, Anodized Aluminum Mesh Filter	
Duct Transition:	3 1/4 x 10" (Top or Rear), or 7" round (sold separately)	
Installation Type:	Ducted or Recirculating (Kit sold separately)	
Electrical:	120V - 60 Hz, 445 W	
KITS:		
Recirculating Kit:	KITO2178 (Contains 2 flat carbon filters & clips)	KITO2179 (Contains 2 flat carbon filters & clips)
Backdraft Damper Kit:	KITO2723 (7" Round)	
WARRANTY:***	Two (2) Years Parts & In-Home Labor. Earn an additional One (1) Year of Parts & In-Home Labor by registering on elica.com.	

## PLUS FEATURES



**3X LAYER GREASE FILTER** - Elica aluminum mesh filters are a step above competition, featuring triple layered, anodized aluminum that is woven into a highly dense mesh. The thick mesh captures more grease, anodization helps resist staining and provides durability to repeated cleanings in the dishwasher.



**CFM REDUCTION** - CFM Reduction System (CRS), is an exclusive feature to Elica hoods, which enables the user to reduce the maximum blower CFM, to meet local code requirements.



**HEAT GUARD** - A safety feature that protects the hood and cabinetry from excessive heat, by sensing extreme temperatures (> 316 °F) and will automatically adjust the blower speed to HIGH. Blower speed will automatically adjust back once temperatures drop to a safe level.



**LED LIGHT** - LED lighting is undoubtedly the smartest solution in terms of energy saving. Expected life is over 20,000 hours, and should last the full life of the hood.



Certified Ratings	High Speed	Working Speed	Duct Size
CFM Sones	380 8.5	150 1.5	3.25 x 10" (Horizontal)
CFM Sones	370 9	150 2	3.25 x 10" (Vertical)
CFM Sones	390 7	160 1	7" vertical

\* The product images shown are for illustration purposes only and may not be an exact representation of the product.

\*\* Blower performance indicates the performance of the blower by itself. Performance claims are not AHAM certified but were established in accordance with HVI Standardized test procedure. For Certified Ratings, please refer to AHAM Certified Product Directory. Electric Ratings are declared according to UL.

\*\*\* For valid warranty extension, register within 3 months from purchase. For USA & Canada Users Only.