



TOP PERFORMANCE



PERIMETER ASPIRATION

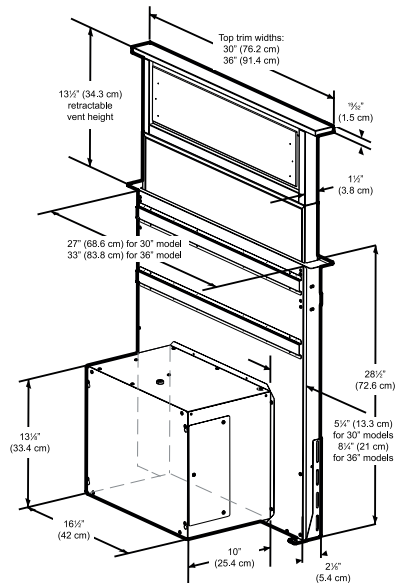
ELICA'S EXCLUSIVE PLUS FEATURES

When the view out your kitchen window is too spectacular to disrupt with a range hood, Elica's Rise is the perfect solution.

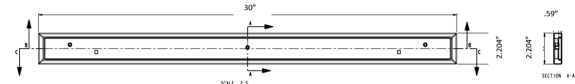
Rise recesses completely out-of-sight into the countertop (when not in use), but when it's time to cook, Rise elevates a full 14" above the countertop (almost twice the height of competitors), for added ventilating efficiency. On top of that, Elica added Perimeter Aspiration Technology, which increases suction 35% and actually draws air from the front burner effectively, to create the best functioning downdraft on the market. Rise comes equipped with a powerful 600 CFM internal blower, which is operated by an electronic rotating control that's flush mounted into the countertop or cabinet face.

For maximum flexibility, the blower can be rotated to the opposite side to make room for a floor mounted range.

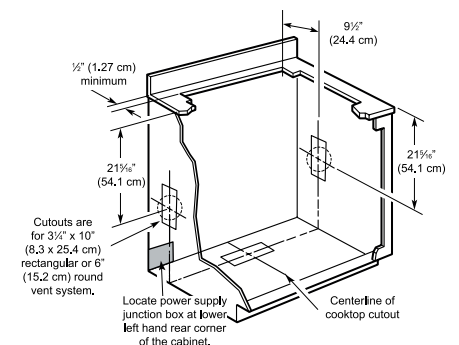
Hood Dimensions



Top Rim Dimensions



Cabinet Dimensions



SPECIFICATIONS



Width:	30" UNIT	36" UNIT
Model:	ERS630S1	ERS636S1
Dimensions:	30"W x 12 1/2"D x 14"H	36"W x 12 1/2"D x 14"H
Blower Type(internal):	600 CFM, (3-Speed + Boost)	
Noise (sones):	6.8 Sones	
Finish:	Stainless Steel	
Controls:	External Electronic Rotating Disk + LCD	
Grease Filter:	Dishwasher-Safe, Anodized Aluminum Mesh Filter + Perimeter Aspiration	
Installation Type:	Ducted Installation only	
Duct Transition:	Round 6" Discharge (Multi Directional)	
Electrical:	120V - 60Hz, 550 W	
KITS:		
CFM Reduction Kit:	KIT02748 (Archives <300 CFM)	
WARRANTY:**	Two (2) Years Parts & In-Home Labor. Earn an additional One (1) Year of Parts & In-Home Labor by registering on elica.com.	

PLUS FEATURES



TOP PERFORMANCE - Excellent performance for models equipped with this plus. High fume capturing capacity with an average aspiration range of 600 CFM's. with low noise levels, 1.2 - 1.7 sones at working speed.



PERIMETER ASPIRATION - First developed by Elica, this technology literally turned the market 180 degrees and opened the door to hoods that could be mounted on the wall like picture frames. The technology draws air through a narrowed channel around a face plate, which increases suction, without increasing blower speed or energy consumption.

* The product images shown are for illustration purposes only and may not be an exact representation of the product.

** For valid warranty extension, register within 3 months from purchase. For USA & Canada Users Only.