

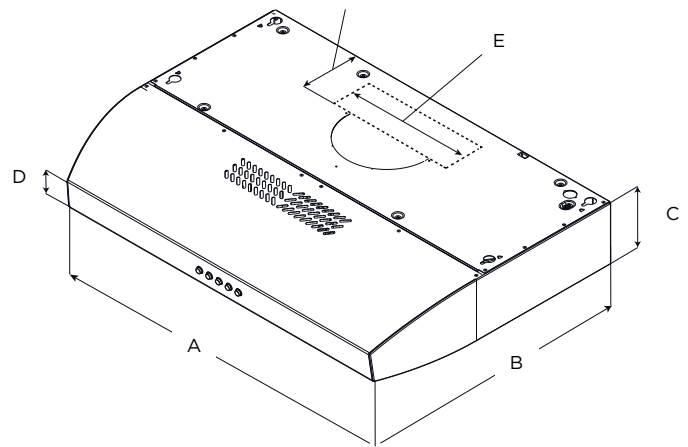
3X LAYER  
MESH FILTER

LED LIGHT

ELICA'S EXCLUSIVE  
PLUS FEATURES

The slim Allasio with  $4\frac{3}{4}$ " height is ideal where under-cabinet space is limited, plus the contemporary styling and gleaming colors will compliment other appliances and most cabinetry. Allasio features a 3-speed, 300 CFM internal blower, which provides sufficient ventilating power for most kitchens. The attractive Soft Touch, Blue Illuminated Controls allows the user to manage blower speeds and lights.

Dishwasher-safe anodized aluminum mesh filters are easy to clean and a snap to remove and replace. Allasio is designed for standard ducted installation, and can be installed as a recirculating system, using the Recirculating Kit.



	EAL330B1	EAL330W1
A	30" (76.2 cm)	
B	20" (50.8 cm)	
C	$4\frac{3}{4}$ " (12 cm)	
D	$2\frac{2}{5}$ " (5.7 cm)	
E	$3\frac{1}{4}$ " x 10" (8.3 x 25.4 cm)	
F	$5\frac{1}{8}$ " (13 cm)	

## SPECIFICATIONS

Width:	30" UNIT	
Model:	EAL330B1	EAL330W1
Dimensions:	30" W x 20" D x 4 3/4" H	
Blower Type(internal):**	300 CFM (3-speed)	
Noise (sones): **	5.2 Sones	
Finish:	Black	White
Controls:	Backlit Electronic Push Buttons	
Illumination:	2 LED, 2.1 W, 3000 K	
Grease Filter:	(2) Dishwasher-Safe, Anodized Aluminum Mesh Filter	
Duct Transition:	3 1/4" X 10" rectangular or 7" Round with Back Draft Damper (top only)	
Installation Type:	Ducted (Recirculating Kit sold separately)	
Electrical:	120 V - 60 Hz, 273 W	
KITS:		
Recirculating Kit:	KIT02178	
Valve 7" Round:	KIT02723 (Optional Backdraft Damper/Non return Valve)	
Grease Filter Replacement Kit:	KIT02591	
Upgrade Filter Kit:	GRI0131086A (contains 1 stainless steel baffle slot filter)	
WARRANTY:***	Two (2) Years Parts & In-Home Labor. Earn an additional One (1) Year of Parts & In-Home Labor by registering on elica.com.	

## PLUS FEATURES



**3X LAYER GREASE FILTER** - Elica aluminum mesh filters are a step above competition, featuring triple layered, anodized aluminum that is woven into a highly dense mesh. The thick mesh captures more grease, anodization helps resist staining and provides durability to repeated cleanings in the dishwasher.



**LED LIGHT** - LED lighting is undoubtedly the smartest solution in terms of energy saving. Expected life is over 20,000 hours, and should last the full life of the hood.



Certified Ratings	High Speed	Working Speed	Duct Size
CFM Sones	190 5	120 2	3.25 x 10" (Vertical)
CFM Sones	200 5	130 2	3.25 x 10" (Horizontal)
CFM Sones	220 5	140 2	7" vertical

\* The product images shown are for illustration purposes only and may not be an exact representation of the product.

\*\* Blower performance indicates the performance of the blower by itself. Performance claims are not AHAM certified but were established in accordance with HVI Standardized test procedure. For Certified Ratings, please refer to AHAM Certified Product Directory. Electric Ratings are declared according to UL.

\*\*\* For valid warranty extension, register within 3 months from purchase. For USA & Canada Users Only.