



**READ AND SAVE THESE INSTRUCTIONS
LISEZ CES INSTRUCTIONS ET CONSERVEZ-LES
LEA Y GUARDE ESTAS INSTRUCCIONES**

**THIS MANUAL IS FOR USE ONLY IN USA , CANADA AND MEXICO
CE MANUEL EST UNIQUEMENT VALABLE AUX USA, AU CANADA ET AU
MEXIQUE
ESTE MANUAL ES PARA USO EXCLUSIVO EN EE.UU. , CANADÁ Y MÉXICO**

ESS432SS

READ AND SAVE THESE INSTRUCTIONS

APPROVED FOR RESIDENTIAL APPLIANCES FOR RESIDENTIAL USE ONLY READ AND SAVE THESE INSTRUCTIONS

PLEASE READ ENTIRE INSTRUCTIONS BEFORE PROCEEDING.
INSTALLATION MUST COMPLY WITH ALL LOCAL CODES.

IMPORTANT: Save these Instructions for the Local Electrical Inspector's use.

INSTALLER: Please leave these Instructions with this unit for the owner.

OWNER: Please retain these instructions for future reference.

Safety Warning: Turn off power circuit at service panel and lock out panel, before wiring this appliance.

Requirement: 120V, 60 Hz, 15 or 20 A Branch Circuit

Removing the packaging

CAUTION!

Remove carton carefully, Wear gloves to protect against sharp edges.

WARNING!

Remove the protective film covering the product before putting into operation.



Range Hood: ESS432SS

Rated Voltage: 120 V~

Frequency: 60 Hz

Power consumption: 300 W

Current consumption: 2,5 A

Maximum lamp power: 4x7 W + 1x9 W LED

Number: 1 piece.

Made in Italy

Manufactured by: Elica SPA

Imported by : ELICAMEX S.A. de C.V.

Address: Av. La Noria No. 102 int. S/N, Col. Parque Industrial Querétaro

Del. Santiago de Querétaro, C.P. 76215 Querétaro, R.F.C.

ELI060102RK8

Tel. 81 8625 5000 - Cel. 55 3955 8770

Note: The parts marked with the symbol "(*)" are optional accessories supplied only with some models or otherwise not supplied, but available for purchase.



Important safety Notice

CAUTION

FOR GENERAL VENTILATING USE ONLY. DO NOT USE TO EXHAUST HAZARDOUS OR EXPLOSIVE MATERIALS OR VAPOURS.

WARNING

TO REDUCE THE RISK OF FIRE, ELECTRIC SHOCK, OR INJURY TO PERSONS, OBSERVE THE FOLLOWING:

- A. Use this unit only in the manner intended by the manufacturer. If you have questions, contact the manufacturer.
- B. Before servicing or cleaning the unit, switch power off at service panel and lock service panel disconnecting means to prevent power from being switched on accidentally. When the service disconnecting means cannot be locked, securely fasten a prominent warning device, such as a tag, to the service panel.

WARNING

TO REDUCE THE RISK OF FIRE, ELECTRIC SHOCK, OR INJURY TO PERSONS, OBSERVE THE FOLLOWING:

- A. Installation Work and Electrical Wiring Must Be Done By Qualified Person(s) In Accordance With All Applicable Codes & Standards, Including Fire-rated Construction.
- B. Sufficient air is needed for proper combustion and exhausting of gases through the flue (Chimney) of fuel burning equipment to prevent back-drafting. Follow the heating equipment manufacturers guideline and safety standards such as those published by the National Fire Protection Association (NFPA), the American Society for Heating, Refrigeration and Air Conditioning Engineers (ASHRAE), and the local code authorities.
- C. When cutting or drilling into wall or ceiling, do not damage electrical wiring and other hidden utilities.
- D. Ducted systems must always be vented to the outdoors.

WARNING

TO REDUCE THE RISK OF FIRE, USE ONLY METAL DUCT WORK.

Install this hood in accordance with all requirements specified.

WARNING

To Reduce The Risk Of Fire Or Electric Shock, Do Not Use This Hood With Any External Solid State Speed Control Device.

WARNING

TO REDUCE THE RISK OF A RANGE TOP GREASE FIRE.

- a) Never leave surface units unattended at high settings. Boilovers cause smoking and greasy spillovers that may ignite. Heat oils slowly on low or medium settings.
- b) Clean ventilating fans frequently. Grease should not be allowed to accumulate on fan or filter.
- c) Use proper pan size. Always use cookware appropriate for the size of the surface element.

WARNING

TO REDUCE THE RISK OF INJURY TO PERSONS, IN THE EVENT OF A RANGE TOP GREASE FIRE, OBSERVE THE FOLLOWING^a:

- a) **SMOTHER FLAMES** with a close-fitting lid, cookie sheet, or other metal tray, then turn off the gas burner or the electric element. **BE CAREFUL TO PREVENT BURNS.** If the flames do not go out immediately, **EVACUATE AND CALL THE FIRE DEPARTMENT.**
- b) **NEVER PICK UP A FLAMING PAN** - you may be burned.
- c) **DO NOT USE WATER**, including wet dishcloths or towels - a violent steam explosion will result.
- d) Use an extinguisher **ONLY** if:
 - 1) You know you have a class ABC extinguisher, and you already know how to operate it.
 - 2) The fire is small and contained in the area where it started.
 - 3) The fire department is being called.
 - 4) You can fight the fire with your back to an exit.

^aBased on "Kitchen Firesafety Tips" published by NFPA.

OPERATION

a. Always leave safety grills and filters in place. Without these components, operating blowers could catch onto hair, fingers and loose clothing.

The manufacturer declines all responsibility in the event of failure to observe the instructions given here for installation, maintenance and suitable use of the product. The manufacturer further declines all responsibility for injury due to negligence and the warranty of the unit automatically expires due to improper maintenance.

- This device is not intended for use by persons (including children) whose physical, sensory or mental abilities are different or reduced, or who lack experience or knowledge unless such persons receive supervision or training for the operation of the device by a person responsible for your safety.
- Children should be supervised to ensure they do not use the devices as a toy.
- Do not flame food under the kitchen hood.
- There must be adequate ventilation in the room, when the range hood is used at the same time as appliances that consume gas or other fuels. (DOES NOT APPLY FOR RANGEHOODS THAT ARE ONLY RECYCLING MODE).
- There is a risk of fire, if the cleaning is not carried out in accordance with the instructions.
- The discharge air must not be sent through a duct that is used to evacuate fumes from appliances that consume gas or other fuels. (DOES NOT APPLY FOR RANGEHOODS THAT ARE ONLY RECYCLING MODE).
- Must be complied with regulations relate to the evaluation of the air discharge.
- In the event that your power cord is damaged in part or in full, do not try to repair it by contacting the service center marked on your warranty or by a specialist technician for replacement.
- **WARNING:** Incorrect placement of screws or fasteners or mounting devices according to these instructions may result in electrical hazards.
- **CAUTION:** Accessible parts of the hood may become hot when used with cooking appliances.

Electrical & Installation requirements

Electrical requirements

IMPORTANT

Observe all governing codes and ordinances.

It is the customer's responsibility:

To contact a qualified electrical installer.

To assure that the electrical installation is adequate and in conformance with National Electrical Code, ANSI/NFPA 70 — latest edition*, or CSA Standards C22.1-94, Canadian Electrical Code, Part 1 and C22.2 No.0-M91 - latest edition** and all local codes and ordinances.

If codes permit and a separate ground wire is used, it is recommended that a qualified electrician determine that the ground path is adequate.

Do not ground to a gas pipe.
Check with a qualified electrician if you are not sure range hood is properly grounded.
Do not have a fuse in the neutral or ground circuit.

IMPORTANT

Save Installation Instructions for electrical inspector's use.

The range hood must be connected with copper wire only.

The range hood should be connected directly to the fused disconnect (Or circuit breaker) box through metal electrical conduit.

Wire sizes must conform to the requirements of the National Electrical Code ANSI/NFPA 70 — latest edition*, or CSA Standards C22.1-94, Canadian Electrical Code Part 1 and C22.2 No. 0-M91 - latest edition** and all local codes and ordinances.

A U.L.- or C.S.A.-listed conduit connector must be provided at each end of the power supply conduit (at the range hood and at the junction box).

Copies of the standards listed may be obtained from:

* National Fire Protection Association
Batterymarch Park Quincy, Massachusetts 02269

** CSA International 8501 East Pleasant Valley Road Cleveland, Ohio 44131-5575

Before installing the hood

At least two people are necessary for installation. Wear gloves to protect against sharp edges.

All fastener location must span the studs otherwise proceed as follows:

Cutout drywall along marked lines. Install wood blocking between studs and make sure it is flush with existing stud front. Make sure all mounting screws will anchor to added studs. Replace drywall and refinish.

When used in recirculation mode, To Reduce the Risk of Fire and Shock use only conversion kit Model: Kit carbon filter Shell

Use

The hood has been made for use in the internal recirculating filtering version.

Cooking fumes and steam are aspirated inside the hood, filtered and cleaned, passing through the fat filter/s and the carbon filter/s that **MUST** be supplied with the hood.

Installation

CAUTION: The means of fixing supplied with the hood, are exclusively suitable for fixing on concrete or brick ceiling.

Specialised personnel must carry out both the electrical and the mechanical installation.

Do not cut a joist or stud unless absolutely necessary. If a joist or stud must be cut, then a supporting frame must be constructed.

Fittings material is provided to secure the hood to most types of walls/ceilings.

However, a qualified technician must verify suitability of the fittings materials in accordance with the type of wall/ceiling.

Before making cutouts, make sure there is proper clearance within the ceiling or wall for exhaust vent.

Hood installation height above cooktop is the users preference.

**CAUTION: FOR GAS RANGES
INSTALLATION: MOUNT THIS HOOD SO THAT THE BOTTOM EDGE IS AT 30" (76,2 CM) ABOVE THE COOKING SURFACE.
FOR ELECTRIC RANGES INSTALLATION:
MOUNT THIS HOOD SO THAT THE BOTTOM EDGE IS NOT LESS THAN 24" (61 CM) ABOVE THE COOKING SURFACE.
HOUSEHOLD USE. PLEASE, READ INSTALLATION MANUAL FOR SPECIFIC APPLICATION.**

If the instructions for installation for the gas hob specify a greater distance, this must be adhered to.

Check your ceiling height and the hood height maximum before you select your hood.

Consult last pages of this manual for installation instruction and electrical connection steps.

Operation



For replacement, contact the technical service.

This product is designed to work with an Elica remote control, either supplied with the product or purchased separately as an optional.

To control the hood via remote control, the affiliation procedure must be carried out.

CAUTION!

To begin, the hood must be disconnected and then reconnected to the power supply and the affiliation procedure must be carried out within the first minute of connection to the power.

Read the instructions supplied with the remote control, which provide detailed instructions on affiliation and correct use.

Note: if the hood does not work, make sure that it is ON by using the ON/OFF button.

Fig. 15

User Servicing and Maintenance Instructions

Cleaning

Clean using **ONLY** a cloth dampened with neutral liquid detergent. **DO NOT CLEAN WITH TOOLS OR INSTRUMENTS.** Do not use abrasive products. **DO NOT USE ALCOHOL!**

Grease filter

Fig. 17

Traps cooking grease particles.

The **grease filter** must be cleaned once a month using non aggressive detergents, either by hand or in the dishwasher, which must be set to a low temperature and a short cycle. When washed in a dishwasher, the grease filter may discolor slightly, but this does not affect its filtering capacity.

Charcoal filter (filter version only)

Fig. 17

It absorbs unpleasant odors caused by cooking.

The charcoal filter can be washed once every two months using hot water and a suitable detergent, or in a dishwasher at 149°F (65°C) (if the dishwasher is used, select the full cycle function and leave dishes out).

Eliminate excess water without damaging the filter, then put it in the oven for 10 minutes at 212°F (100°C) C to dry completely. Replace the mattress every 3 years and when the cloth is damaged.

Replacing lamps

4x7 W + 1x9 W LED

ELICA North America

TWO-YEAR LIMITED WARRANTY

Register your product in

elica.com

and earn a 3rd year of factory warranty, covering all parts plus in-home labor.

TO OBTAIN SERVICE UNDER WARRANTY

Owner must present proof of original purchase date. Please keep a copy of your dated proof of purchase (sales slip) in order to obtain service under warranty.

PARTS AND SERVICE WARRANTY

For the period of two (2) years from the date of the original purchase, Elica will provide free of charge, non consumable parts or components that failed due to manufacturing defects. During these two (2) years limited warranty, Elica will also provide free of charge, all labor and in-home service to replace any defective parts.

WHAT IS NOT COVERED

- Damage or failure to the product caused by accident or act of God, such as, flood, fire or earthquake.
- Damage or failure caused by modification of the product or use of non-genuine parts.
- Damage or failure to the product caused during delivery, handling or installation.
- Damage or failure to the product caused by operator abuse.
- Damage or failure to the product caused by dwelling fuse replacement or resetting of circuit breakers.
- Damage or failure caused by use of product in a commercial application.
- Service trips to dwelling to provide use or installation guidance.
- Light bulbs, metal or carbon filters and any other consumable part.
- Normal wear of finish.
- Wear to finish due to operator abuse, improper maintenance, use of corrosive or abrasive cleaning products/pads and oven cleaner products.
- When the product has not been operated in accordance with the accompanying instructions for use.

WHO IS COVERED

This warranty is extended to the original purchaser for products purchased for ordinary residential use in North America (Including the United States, Guam, Puerto Rico, US Virgin Islands & Canada) and Latin America

For any aesthetic defect there is a limited warranty for thirty (30) days from the date of purchase by the end user. (Latin America)

This warranty is non-transferable and applies only to the original purchaser and does not extend to subsequent owners of the product. This warranty is made expressly in lieu of all other warranties, expressed or implied, including, but not limited to any implied warranty of merchantability or fitness for a particular purpose and all other obligations on the part of Elica North America, provided, however, that if the disclaimer of implied warranties is ineffective under applicable law, the duration of any implied warranty arising by operation of law shall be limited to two (2) years from the date of original purchase at retail or such longer period as may be required by applicable law.

This warranty does not cover any special, incidental and/or consequential damages, nor loss of profits, suffered by the original purchaser, its customers and/or the users of the Products.

WHO TO CONTACT

To obtain service under warranty or for any service related question:

COUNTRY	COMPANY	E-MAIL FROM TECHNICAL SERVICE	PHONE TECHNICAL SERVICE
USA & CANADA (Western provinces)	SERVICE POWER	elica@servicepower.com	888 732 8018
CANADA (Province of Ontario)	AGI SERVICE	service@agintl.qc.ca	888 651 2534
CANADA (Quebec and Atlantic provinces)	ATELIERTS G. PAQUETTE	service@ateliersgpaquette.com	800 463 0119
MEXICO	ARTEXA MEXICO S.A. DE C.V.	servicio@artexa.com	+ 52 81 8625 5063
BRAZIL	LOFRA SUDAMERICA LTDA	carlos@lofra.com.br	+ 41 3661 7006
PERU	LÍNEA HOGAR	flavio.figari@appliancecenter.pe	+ 51 1 2418055

Artexa Mexico S.A. de C.V. Address: Cañon Grande # 7720, Col. La Estanzuela, Monterrey, N.L., 64984, ☎ 55 3955 8770 Mexico If there is no distributor in your area, please go to www.elica.com/asistencia ***Just for Mexico

To ensure prompt after-sales service, when you call we will kindly ask you to provide the following information indicated on the nameplate inside the hood: **hood model, 12 NC and date of purchase on original invoice.** To access the nameplate, all you have to do is remove the grease filters.

12NC: _____

Hood model: _____

Serial No: _____

Date of purchase on original invoice: _____

LISEZ CES INSTRUCTIONS ET CONSERVEZ-LES

APPROUVÉ POUR LES APPAREILS DE TYPE RÉSIDENTIEL POUR UNE UTILISATION RÉSIDENTIELLE SEULEMENT LISEZ CES INSTRUCTIONS ET CONSERVEZ-LES

VEUILLEZ LIRE CES INSTRUCTIONS AU COMPLET AVANT DE COMMENCER.

L'INSTALLATION DE L'APPAREIL DOIT RESPECTER TOUS LES CODES EN VIGUEUR.

IMPORTANT : Conservez ces instructions afin de pouvoir les remettre à l'inspecteur-électricien de votre région.

INSTALLATEUR : Veuillez laisser ces instructions avec l'appareil pour le propriétaire.

PROPRIÉTAIRE : Veuillez conserver ces instructions pour pouvoir vous y référer plus tard.

Avertissement de sécurité : Coupez l'alimentation du circuit dans le panneau électrique et verrouillez le panneau avant de raccorder les fils de cet appareil.

Exigence : Circuit de dérivation de 120V, 60 Hz, 15 ou 20 A.

Enlever l'emballage

ATTENTION!

Enlever le carton avec précaution, porter des gants pour se protéger des parties coupantes.

AVERTISSEMENT!

Enlever le film de protection qui recouvre le produit avant de l'utiliser.



Hotte de cuisinière: ESS432SS

Tension nominale: 120 V~

Fréquence: 60 Hz

Puissance: 300 W

Current: 2,5 A

Puissance maximale de la lampe: LED 4x7 W + 1x9 W

Quantité: 1 pièce

Fabriqué en Italie

Produit par: Elica SPA

Importé par: ELICAMEX S.A. de C.V.

Adresse: Av. La Noria No. 102 int. S/N, Col. Parque Industrial Querétaro

Del. Santiago de Querétaro, C.P. 76215 Querétaro, R.F.C.

EI1060102RK8

Tel. 81 8625 5000 - Cel. 55 3955 8770

Remarque : Les pièces marquées du symbole « (*) » sont des accessoires en option fournis uniquement avec certains modèles, ou des pièces non fournies, à acheter.



Avis de sécurité important

ATTENTION

UTILISER CET APPAREIL À DES FINS DE VENTILATION GÉNÉRALE SEULEMENT. **NE PAS UTILISER CET APPAREIL POUR ÉVACUER DES MATÉRIAUX OU DES VAPEURS DANGEREUX OU EXPLOSIFS.**

AVERTISSEMENT

POUR RÉDUIRE LES RISQUES D'INCENDIE, DE CHOC ÉLECTRIQUE ET DE BLESSURE, RESPECTER LES DIRECTIVES SUIVANTES :

- A. Utiliser cet appareil uniquement aux fins prévues par le fabricant. Si vous avez des questions à propos de l'appareil, communiquez avec le fabricant.
- B. Avant de faire l'entretien de l'appareil ou de le nettoyer, coupez l'alimentation dans le panneau électrique et verrouillez le panneau en bloquant le dispositif permettant d'empêcher d'activer l'alimentation accidentellement. S'il n'est pas possible de verrouiller l'accès au panneau, fixez une étiquette très voyante au panneau électrique.

AVERTISSEMENT

POUR RÉDUIRE LES RISQUES D'INCENDIE, DE CHOC ÉLECTRIQUE ET DE BLESSURE, RESPECTER LES DIRECTIVES SUIVANTES :

- A. Une personne qualifiée doit effectuer l'installation et le câblage des fils électriques en conformité avec tous les codes et toutes les normes, y compris la cote de résistance au feu.
- B. Il est important de prévoir suffisamment d'air pour assurer une bonne combustion de l'équipement de chauffe et l'évacuation adéquates des gaz par le conduit de cheminé afin de prévenir les refoulements d'air. Respectez les directives et les normes de sécurité des fabricants de l'équipement de chauffage, comme celles publiées par la National Fire Protection Association (NFPA), la American Society for Heating, Refrigeration and Air Conditioning Engineers (ASHRAE) et le code des autorités de votre région.
- C. Au moment de couper ou de percer un mur ou un plafond, assurez-vous de ne pas endommager la filerie électrique ou tout autre accès à un service publique.
- D. Il faut toujours évacuer à l'extérieur les systèmes à conduit.

AVERTISSEMENT POUR RÉDUIRE DES RISQUES D'INCENDIE, UTILISEZ UNIQUEMENT DES CONDUITS EN MÉTAL.

Installez cette hotte en respectant toutes les exigences mentionnées.

AVERTISSEMENT
Pour réduire les risques d'incendie et de choc électrique, n'utilisez pas cette hotte avec un contrôleur de vitesse à semi-conducteurs.

AVERTISSEMENT POUR RÉDUIRE LES RISQUES D'INCENDIE DE GRAISSE SUR LES CUISINIÈRES.

- a) Ne laissez jamais la cuisinière sans surveillance lorsqu'elle est réglée à une haute température. Les débordements par bouillonnement causent de la fumée et des débordements de gras qui peuvent s'enflammer. Faites chauffer l'huile lentement, à une température basse ou moyenne.
- b) Nettoyez les hélices de ventilation fréquemment. Il ne faut pas que la graisse s'accumule sur les filtres ou les hélices.
- c) Utilisez le bon format de casserole. Utilisez toujours un chaudron de taille approprié à l'élément de la cuisinière.

AVERTISSEMENT POUR ÉVITER DE BLESSER QUELQU'UN LORS D'UN INCENDIE DE GRAISSE SUR LA CUISINIÈRE, SUIVRE LES CONSEILS SUIVANTS^a

- a) **ÉTOUFFER LES FLAMMES** avec un couvercle aux dimensions de la tache de cuisson, une tôle à biscuit ou tout autre plateau métallique, puis couper le gaz ou l'alimentation électrique de la cuisinière. FAIRE ATTENTION A NE PAS SE BRÛLER. Si les flammes ne s'éteignent pas immédiatement, QUITTER LA PIÈCE ET APPELER LES POMPIERS.
- b) **NE JAMAIS PRENDRE EN MAIN UNE CASSEROLE EN FEU**, vous pourriez vous blesser.
- c) **NE PAS UTILISER D'EAU**, y compris les essuies de vaisselle ou les serviettes humides – une violente explosion due à la vapeur formée pourrait survenir.
- d) Utiliser un extincteur **SEULEMENT** si:
 - 1) Vous êtes sûr d'avoir un extincteur de classe ABC que vous savez utiliser.
 - 2) Le feu est petit et confiné à la zone où il s'est formé.
 - 3) Les pompiers ont été appelés.
 - 4) Vous pouvez lutter contre le feu avec une sortie derrière vous.

^aBasé sur "Kitchen Firesafety Tips" publié par NFPA.

MODE OPÉRATEUR

- a. Toujours laisser les grilles de sécurité et les filtres à leur place. Sans la présence de ces derniers, les parties aspirantes pourraient attirer les cheveux, les doigts ou les vêtements.

Le fabricant décline toute responsabilité si les informations détaillées dans ce manuel pour l'installation, l'entretien et

l'utilisation adéquate du produit ne sont pas observées. Le fabricant décline en outre toute responsabilité pour d'éventuelles blessures dues à des négligences; en outre, la garantie de l'appareil sera annulée suite à des conditions d'entretien inappropriées. Cet appareil est fabriqué pour un usage interne. Ne pas utiliser cet appareil à l'extérieur.

- Cet appareil n'est pas prévu pour l'utilisation par des personnes (y compris les enfants) avec des capacités physiques, sensorielles ou mentales différentes ou réduites, ou qui manquent d'expérience ou de connaissances, à moins que ces personnes ne soient sous la supervision d'une personne responsable de la sécurité ou qu'elles aient reçu une formation sur le fonctionnement de l'appareil.
- Les enfants doivent être surveillés afin de s'assurer qu'ils n'utilisent pas l'appareil comme un jouet.
- Ne pas faire flamber des aliments en dessous de la hotte.
- Il doit y avoir une aération adéquate dans la pièce, lorsque la hotte est utilisée en même temps que des appareils qui consomment du gaz ou d'autres carburants. (PAS APPLICABLE POUR LES HOTTES QUI SONT EN MODE RECYCLAGE).
- Il y a un risque d'incendie si le nettoyage n'est pas effectué conformément aux instructions.
- L'air aspiré ne doit pas être envoyé dans une conduite qui est utilisée pour évacuer les fumées d'appareils qui consomment du gaz ou d'autres carburants. (PAS APPLICABLE POUR LES HOTTES QUI SONT UNIQUEMENT EN MODE RECYCLAGE).
- Doit être conforme aux règlements relatifs à l'évacuation de l'air.
- Dans le cas où le cordon d'alimentation est en partie ou complètement endommagé, ne pas essayer de le réparer par vous-même mais contacter le service d'assistance indiqué sur la carte de garantie ou un technicien spécialisé pour le remplacement.
- **AVERTISSEMENT:** le placement incorrect des vis ou des fixations ou des dispositifs de montage conformément à ces instructions peut entraîner des risques électriques.
- **AVERTISSEMENT:** Lorsque la table de cuisson est en fonctionnement, les parties accessibles de la hotte peuvent devenir très chaudes.

Exigences électriques et exigences d'installation

Exigences électriques

IMPORTANT

Respectez tous les codes et les ordonnances en vigueur.

Le client a la responsabilité de :

Contactez un électricien-installateur.

Vérifier que l'installation électrique est adéquate et conforme avec le Code national de l'électricité, ANSI/NFPA 70 (la plus récente édition*), ou les normes C22.1-94, Code canadien de l'électricité, Partie 1 et C22.2 No.0-M91 (La plus récente édition**) de la CSA, ainsi que tous les codes et les ordonnances de votre région.

Si le code le permet et que vous utilisez un fil de mise à la terre distinct, il est recommandé de faire vérifier le chemin du fil par un électricien.

Ne pas mettre l'appareil à la terre sur une conduite de gaz.

Consultez un électricien qualifié si vous n'êtes pas certain que la hotte est mise à la terre correctement.

N'installez pas un fusible dans le circuit neutre ou le circuit de mise à la terre.

IMPORTANT

Conservez ces instructions afin de pouvoir les remettre à l'inspecteur-électricien.

La hotte doit être câblée uniquement à l'aide de fils de cuivre.

Il faut raccorder la hotte directement à une boîte à fusible ou à un disjoncteur par l'entremise d'une canalisation électrique en métal.

Le calibre de fil doit être conforme aux exigences du Code national de l'électricité, ANSI/NFPA 70 (La plus récente édition*), ou les normes C22.1-94, Code canadien de l'électricité, Partie 1 et C22.2 0-M91 (La plus récente édition**) de la CSA, ainsi que tous les

codes et les ordonnances de votre région.

Il faut prévoir un connecteur de canalisation approuvé par l'UL ou la CSA à chaque extrémité de la canalisation d'alimentation (À la hotte et à la boîte de jonction).

Vous pouvez obtenir un exemplaire des normes indiquées en vous adressant à :

* La National Fire Protection Association, Batterymarch Park Quincy, Massachusetts, 02269

** La CSA International, 8501 East Pleasant Valley Road, Cleveland, Ohio, 44131-5575

Avant d'installer la hotte

Deux personnes sont nécessaires pour effectuer l'installation. Porter des gants pour se protéger des bords coupants.

Les marques d'ouverture de fixation doivent toutes se trouver entre deux montants, sinon procédez de la façon suivante : Coupez la cloison sèche en suivant les lignes marquées. Installez perpendiculairement entre deux montants une pièce de bois pour qu'elle soit alignée avec les montants existants. Assurez-vous que les vis de fixation s'enfonceront dans ces nouveaux montants. Remplacez la cloison sèche et refaites le fini de la surface.

Lorsqu'il est utilisé en mode de recirculation, Pour Réduire Les Risques d'Incendie Et De Choc utiliser seulement kits de conversion Modèle: Kit carbon filter Shell

Utilisation

La hotte a été conçue pour être utilisée en version filtrante avec recyclage d'air.

Les fumées et les vapeurs de la cuisson sont aspirées à l'intérieur de la hotte, filtrées et purifiées en passant au travers de filtre(s) à graisse et de filtre(s) au charbon dont la hotte DOIT être pourvue.

Installation

ATTENTION: Les moyens de fixation fournis avec la hotte ne conviennent que pour une fixation sur un plafond en maçonnerie ou en brique.

L'installation, aussi bien électrique que mécanique doit être effectuée par du personnel qualifié.

Ne coupez pas une solive ou un montant à moins qu'il soit absolument nécessaire de le faire. Si vous devez couper une solive ou un montant, vous devez construire un cadre de soutien.

La quincaillerie fournie permet de fixer la hotte à la plupart des murs et des plafonds.

Vous devez cependant demander à un technicien qualifié de vérifier la solidité des matériaux selon le type de mur ou de plafond.

Avant de couper, assurez-vous qu'il y a un dégagement suffisant dans le plafond ou le mur pour passer la conduite de sortie.

Vous pouvez déterminer vous-même la hauteur à laquelle vous installez la hotte au dessus de la cuisinière.

ATTENTION: POUR L'INSTALLATION DES CUISINIÈRES A GAZ: METTEZ LA HOTTE AFIN D'AVOIR ENTRE LE BORD INFÉRIEUR DE LA HOTTE ET LE PLAN DE CUISSON UNE DISTANCE DE 30" (76,2 CM). POUR DES CUISINIÈRES ÉLECTRIQUES: LA DISTANCE ENTRE LE BORD INFÉRIEUR DE LA HOTTE ET LE PLAN DE CUISSON NE DOÎT PAS ÊTRE INFÉRIEURE DE 24" (61 CM).

EMPLOI DOMESTIQUE. LIRE ATTENTIVEMENT LE LIVRET INSTRUCTIONS POUR DES APPLICATIONS SPÉCIFIQUES.

Si les instructions d'installation du dispositif de cuisson au gaz spécifient une plus grande distance, il faut en tenir compte.

Vérifiez donc la hauteur de votre plafond et la hauteur maximum de la hotte avant de choisir votre modèle de hotte.

Reportez-vous aux dernières pages de ce manuel pour les instructions d'installation et le raccordement électrique.

Fonctionnement



Cet appareil est prévu pour fonctionner avec la radiocommande Elica, fournie avec le produit ou disponible séparément comme accessoire.

Pour pouvoir contrôler la hotte avec la radiocommande il faut d'abord effectuer la procédure d'affiliation.

ATTENTION!

Pour commencer, il faut débrancher et rebrancher la hotte au réseau électrique et effectuer la procédure d'affiliation dans la

première minute qui suit l'alimentation.

Lire les instructions fournies avec la radiocommande où figurent toutes les informations pour l'affiliation et l'utilisation correcte.

Note: si la hotte ne devait pas fonctionner, vérifier que le bouton ON/OFF de la hotte soit en position ON.

Fig. 15

Instructions pour l'entretien, utilisateur et la maintenance

Nettoyage

Pour le nettoyage, utiliser **EXCLUSIVEMENT** un chiffon humidifié avec des détergent liquides neutres. **NE PAS UTILISER D'OUTILS OU D'INSTRUMENTS POUR LE NETTOYAGE !** Éviter l'usage de produits abrasifs, **NE PAS UTILISER D'ALCOOL!**

Filtre anti-gras

Fig. 17

Il retient les particules de graisse issues de la cuisson.

Le filtre anti-graisse métallique doit être nettoyé une fois par mois avec des détergents non agressifs, à la main ou dans le lave-vaisselle à faibles températures et cycle rapide.

Le lavage du filtre anti-graisse métallique au lave-vaisselle peut en provoquer la décoloration. Toutefois, les caractéristiques de filtrage ne seront en aucun cas modifiées.

Filtre à charbon actif (uniquement pour version recyclage)

Fig. 17

Retient les odeurs désagréables de cuisson.

Le filtre à charbon peut être nettoyé tous les deux mois avec de l'eau chaude et au moyen de détergents appropriés ou dans le lave-vaisselle à 149°F (65°C) (dans le cas de lavage dans le lave-vaisselle suivre un cycle de lavage complet sans vaisselle à l'intérieur).

Enlever l'eau qui excède en faisant attention de ne pas abîmer le filtre, ensuite le mettre dans le four pendant 10 minutes à 212°F (100°C) pour le sécher définitivement. Remplacer le coussinet tous les 3 ans et chaque fois que le filtre sera abîmé.

Remplacement des lampes

4x7 W + 1x9 W LED

Pour le remplacement, s'adresser au service d'assistance technique.

ELICA North America

GARANTIE DE DEUX ANS

Enregistrez votre produit sur

elica.com

et obtenez une 3^e année de garantie, qui couvre toutes les pièces en plus de la main-d'œuvre.

POUR OBTENIR UN DEPANNAGE SOUS GARANTIE

Le propriétaire doit présenter une preuve de la date d'achat. Garder une copie de votre preuve d'achat datée (ticket de caisse) de façon à pouvoir bénéficier du service après-vente sous garantie.

GARANTIE PIÈCES DE RECHANGE ET MAIN D'OEUVRE

Pendant une période de deux (2) ans à partir de la date d'achat, Elica s'engage à fournir gratuitement les pièces de rechange ou les composants autres que les recharges ayant des défauts de fabrication. Durant cette garantie de deux (2) ans, Elica fournira également gratuitement, toute la main d'oeuvre et le service à domicile pour remplacer d'éventuelles pièces défectueuses.

CE QUE LA GARANTIE NE COUVRE PAS

- Dégât ou panne du produit causé par un accident ou un cas de force majeure tels que inondation, incendie ou tremblement de terre.
- Dégât ou panne du produit causé par modification du produit ou utilisation de pièces pas d'origine.
- Dégât ou panne du produit causé lors de la livraison, de la manipulation ou de l'installation.
- Dégât ou panne du produit causé par une mauvaise utilisation.
- Dégât ou panne du produit causé par un remplacement des fusibles ou une remise en fonction des disjoncteurs par le propriétaire.
- Dégât ou panne du produit causé par une utilisation du produit pour raison commerciale.
- Déplacement à domicile pour explication d'utilisation ou d'entretien.
- Ampoules, filtres métalliques ou au charbon et toute autre pièce consommable.
- Usure normale.
- Usure due à une mauvaise utilisation du propriétaire, un entretien incorrect, une utilisation de substances nettoyantes corrosives ou abrasives et produits de nettoyage pour four.
- Lorsque le produit n'a pas été utilisé conformément aux instructions d'utilisation qui l'accompagnent.

QUI EST COUVERT

Cette garantie s'étend à l'acheteur original de produits achetés pour un usage domestique habituel en Amérique du Nord (Y compris Etats Unis, Guam, Porto Rico, les Iles Virgin Américaines & le Canada) et Amérique latine.

Pour tout défaut esthétique, il existe une garantie limitée de trente (30) jours à compter de la date d'achat par l'utilisateur final. (Amérique latine)

Cette garantie n'est pas transférable et vaut uniquement pour l'acheteur original et ne s'étend pas aux propriétaires successifs du produit. Cette garantie vaut expressément en lieu et place de toute autre garantie, expresse ou sous-entendue, mais ne limite pas toute autre garantie sous-entendue de marchandage ou adaptation dans un but particulier et toute autre obligation de la part de Elica North America, étant entendu, cependant, que si la réclamation pour garanties sous-entendues n'est pas applicable aux yeux de la loi en vigueur, la durée de toute garantie sous-entendue émanant de la loi doit être limitée à deux (2) ans à partir de la date d'achat du produit ou à une période plus longue selon ce que dit la loi en vigueur.

Cette garantie ne couvre pas tout dégât particulier, accidentel et/ou consécutif, ni les pertes et profits, à charge du propriétaire, des ses clients et/ou des utilisateurs Des produits.

QUI CONTACTER Pour obtenir un Service Après-vente durant la Garantie ou pour toute autre Question liée au Service Après-vente:

PAYS	COMPAGNIE	E-MAIL DE SERVICE TECHNIQUE	TÉLÉPHONE DE SERVICE TECHNIQUE
USA & CANADA (Provinces de l'Ouest)	SERVICE POWER	elica@servicepower.com	888 732 8018
CANADA (Province de l'Ontario)	AGI SERVICE	service@agintl.qc.ca	888 651 2534
CANADA (Québec & provinces de l'Atlantique)	ATELIERS G. PAQUETTE	service@atelierspaquette.com	800 463 0119
MEXIQUE	ARTEXA MEXICO S.A. DE C.V.	servicio@artexa.com	+ 52 81 8625 5063
BRÉSIL	LOFRA SUDAMERICA LTDA	carlos@lofra.com.br	+ 41 3661 7006
PÉROU	LÍNEA HOGAR	flavio.figari@appliancecenter.pe	+ 51 1 2418055

Artexa Mexico S.A. de C.V. Adresse : Cañon Grande # 7720, Col. La Estanzuela, Monterrey, N.L., 64984, Mexique S'il n'y a pas de distributeur dans votre région, veuillez visiter www.elica.com/asistencia *****Juste pour le Mexique**

☎ 55 3955 8770

Pour garantir un service après-vente rapide, quand vous téléphonerez nous vous prions de bien vouloir donner les informations suivantes, qui sont indiquées sur la plaque signalétique qui se trouve à l'intérieur de la hotte: **modèle, 12 NC et date d'achat sur votre facture originale**. Pour accéder à la plaque signalétique, il vous suffit d'enlever les filtres graisse.

12NC: _____

Modèle: _____

N° de série: _____

Date d'achat sur votre facture originale: _____

LEA Y GUARDE ESTAS INSTRUCCIONES

APROBADO PARA APARATOS DE USO DOMÉSTICO SÓLO PARA USO DOMÉSTICO LEA Y GUARDE ESTAS INSTRUCCIONES

ANTES DE CONTINUAR, LEA LAS INSTRUCCIONES POR COMPLETO.

LA INSTALACIÓN DEBE CUMPLIR TODA LA NORMATIVA LOCAL.

IMPORTANTE: guarde estas instrucciones para su uso por parte del inspector de electricidad local.

INSTALADOR: entregue al propietario estas instrucciones junto con la unidad.

PROPIETARIO: conserve estas instrucciones para futuras consultas.

Advertencia de seguridad: antes de realizar el cableado de este aparato, desactive el circuito de energía eléctrica en el panel de servicio y desbloquee el panel.

Requisito: Circuito auxiliar de 120V, 60 Hz, 15 ó 20 A

Quitar el embalaje

¡PRECAUCIÓN!

Quitar el cartón con cuidado, usar guantes para protegerse de los bordes agudos.

¡ADVERTENCIA!

Quitar la película protectora que cubre el producto antes de la puesta en operación.



Campana de cocina: ESS432SS

Tensión asignada: 120 V~

Frecuencia: 60 Hz

Consumo de potencia: 300 W

consumo de corriente: 2,5 A

Potencia máxima de la lámpara: 4x7 W + 1x9 W LED

Contenido: 1 pieza.

Hecho en Italia

Fabricado por: Elica SPA

Importado por: ELICAMEX S.A. de C.V.

Dirección: Av. La Noria No. 102 int. S/N, Col. Parque Industrial Querétaro

Del. Santiago de Querétaro, C.P. 76215 Querétaro, R.F.C.

ELI060102RK8

Tel. 81 8625 5000 - Cel. 55 3955 8770

Nota: Los elementos que están marcados con el símbolo "(*)" son accesorios opcionales suministrados únicamente con algunos modelos o elementos no suministrados, que deben comprarse a parte.



Aviso de seguridad importante

PRECAUCIÓN

SÓLO PARA USO DE VENTILACIÓN GENERAL. NO UTILIZAR PARA EXPULSAR VAPORES O MATERIALES PELIGROSOS O EXPLOSIVOS.

ADVERTENCIA

PARA REDUCIR EL RIESGO DE FUEGO, DESCARGA ELÉCTRICA O LESIONES PERSONALES, RESPETE LO SIGUIENTE:

A. Utilice esta unidad solamente en el modo que indica el fabricante. En caso de duda, póngase en contacto con el fabricante.

B. Antes de reparar o limpiar la unidad, desconecte la alimentación en el panel de servicio y bloquee los medios de desconexión del panel de servicio para evitar la conexión accidental de la alimentación. Si no es posible bloquear los medios de desconexión del panel de servicio, coloque un dispositivo de advertencia que destaque como, por ejemplo, una etiqueta, en el panel de servicio.

ADVERTENCIA

PARA REDUCIR EL RIESGO DE FUEGO, DESCARGA ELÉCTRICA O LESIONES PERSONALES, RESPETE LO SIGUIENTE:

A. La instalación y el cableado eléctrico deben realizarlos personas cualificadas de acuerdo con las normativas y los estándares aplicables, incluida la construcción ignífuga.

B. Es necesaria una ventilación suficiente para la correcta combustión y expulsión de gases por la salida de humos (Chimenea) del equipo de combustión de carburante para evitar el contratiro. Siga las directrices de fabricantes de equipos de calefacción y los estándares de seguridad como los publicados por la National Fire Protection Association (NFPA), American Society for Heating, Refrigeration and Air Conditioning Engineers (ASHRAE) y las normativas locales.

C. Al efectuar orificios en una pared o techo, no dañe el cableado eléctrico y otras instalaciones ocultas.

D. Los sistemas instalados mediante conducto deben tener ventilación con salida al exterior.

ADVERTENCIA
PARA REDUCIR EL RIESGO DE FUEGO, UTILICE SOLAMENTE TUBOS METÁLICOS.

Instale esta campana de acuerdo con los requisitos especificados.

ADVERTENCIA
Para reducir el riesgo de fuego o descarga eléctrica, no utilice esta campana con ningún dispositivo externo en estado sólido para el control de la velocidad.

ADVERTENCIA
PARA REDUCIR EL RIESGO DE INCENDIO OCASIONADO POR GRASA:

- a) No deje nunca ninguna unidad externa desatendida y con valores de fuego altos. La cocción puede causar humo o reboses de grasa que pueden prender fuego. Caliente el aceite a fuego lento o medio.
- b) Limpie con frecuencia los ventiladores. No permita que la grasa se acumule en el ventilador o filtro.
- c) Utilice un tamaño de sartén adecuado. Utilice siempre piezas de batería de cocina adecuadas al tamaño del elemento de superficie.

ADVERTENCIA
PARA REDUCIR EL RIESGO DE LESIONES PERSONALES, EN CASO DE FUEGO OCASIONADO POR GRASA, TENGA EN CUENTA LO SIGUIENTE^a:

- a) **EXTINGA LAS LLAMAS** con una tapa ajustada, una lámina para hacer galletas u otro tipo de bandeja metálica y apague el quemador de gas o elemento eléctrico. **TENGA CUIDADO PARA EVITAR QUEMADURAS.** Si las llamas no se extinguen inmediatamente, **DESALOJE EL LUGAR Y LLAME A LOS BOMBEROS.**
- b) **NUNCA TOME UNA SARTÉN EN LLAMAS**, podría sufrir quemaduras.
- c) **NO UTILICE AGUA**, incluidas bayetas o toallas húmedas ya que se produciría una violenta explosión de vapor.
- d) Utilice un extintor **SÓLO** si:
 - 1) Sabe que dispone de un extintor de la clase ABC y conoce su funcionamiento.
 - 2) El fuego es pequeño y se encuentra en la misma zona donde se inició.
 - 3) Ha llamado a los bomberos.
 - 4) Puede luchar contra el fuego teniendo una salida a su espalda.

^aSegún los "Consejos para la Seguridad Antincendio en Cocina", publicado por NFPA.

FUNCIONAMIENTO

a. Coloque siempre las rejillas y los filtros de seguridad en su lugar correspondiente. Sin estos componentes, los ventiladores en funcionamiento podrían atrapar su pelo, sus dedos o su ropa.

El fabricante declina toda responsabilidad en caso de fallo de cumplimiento de las instrucciones aquí facilitadas para la instalación, el mantenimiento y el uso adecuado del producto. El

fabricante declina además toda responsabilidad por daños ocasionados por negligencia y la garantía de la unidad queda cancelada automáticamente como consecuencia de un mantenimiento incorrecto.

- Este aparato no se destina para utilizarse por personas (incluyendo niños) cuyas capacidades físicas, sensoriales o mentales sean diferentes o estén reducidas, o carezcan de experiencia o conocimiento a menos que dichas personas reciban una supervisión o capacitación para el funcionamiento del aparato por una persona responsable de su seguridad.
- Los niños deben supervisarse para asegurar que ellos no empleen los aparatos como juguete.
- No flamear alimentos bajo la campana de cocina
- Debe haber una ventilación adecuada en el cuarto, cuando la campana de cocina se utiliza al mismo tiempo que los aparatos que consumen gas u otros combustibles. (NO APLICA PARA CAMPANAS QUE UNICAMENTE SON RECIRCULANTES)
- Existe el riesgo de fuego, si la limpieza no se realiza de acuerdo con las instrucciones.
- El aire de descarga no debe enviarse a través de un conducto que se utilice para evacuar los humos de los aparatos que consumen gas u otros combustibles. (NO APLICA PARA CAMPANAS QUE UNICAMENTE SON RECIRCULANTES).
- Deben de cumplirse las regulaciones que se relacionen con la evaluación de la descarga de aire
- En caso de que su cordón de alimentación llegase a sufrir un daño parcial o total no trate de repararlo acuda al centro de servicio marcado en su garantía o bien con un técnico especialista para su sustitución.
- **ADVERTENCIA:** La mala colocación de los tornillos o artefactos de montaje o sujeción de acuerdo a estas instrucciones puede traer consigo peligros eléctricos."
- **PRECAUCIÓN:** Las partes accesibles pueden calentarse cuando se utilizan los aparatos de cocción."

Requisitos eléctricos y de instalación

Requisitos eléctricos

IMPORTANTE

cumpla todas las normativas y ordenanzas gubernamentales.

Es responsabilidad del cliente:

Ponerse en contacto con un instalador eléctrico cualificado.

Asegurarse de que la instalación eléctrica es adecuada y en conformidad con National Electrical Code, ANSI/NFPA 70 (última edición*) o CSA Standards C22.1-94, Canadian Electrical Code, Parte 1 y C22.2 No.0-M91 (última edición*) y toda la normativa y las ordenanzas locales.

Si la normativa lo permite y se utiliza un cable de toma a tierra independiente, se recomienda que un electricista cualificado determine si la difracción de onda de tierra es la adecuada.

No ubique la toma a tierra en una tubería de gas.

Si no está seguro de que la campana está correctamente conectada a tierra, consulte a un electricista cualificado.

No coloque ningún fusible en el circuito neutral o con vuelta por tierra.

IMPORTANTE

Guarde las instrucciones de instalación para su uso por parte del inspector de electricidad.

La campana debe estar conectada únicamente con hilo de cobre.

La campana debe estar conectada directamente al desconectador con fusible (O disyuntor) mediante canal metálico de cables eléctricos.

Los tamaños de cable deben cumplir los requisitos de la National Electrical Code, ANSI/NFPA 70 (última edición*) o CSA Standards C22.1-94, Canadian Electrical Code, Parte 1 y C22.2 No.0-M91 (última edición*) y

toda la normativa y las ordenanzas locales.

Es preciso colocar un conector de canal de cables enumerado en U.L. o C.S.A. en cada extremo del canal de cables de fuente de alimentación (En la campana y en la caja de conexiones).

Se pueden obtener copias de los estándares enumerados en:

* National Fire Protection Association Batterymarch Park Quincy, Massachusetts 02269

** CSA International 8501 East Pleasant Valley Road Cleveland, Ohio 44131-5575

Antes de instalar la campana

Para realizar la instalación, se necesitan al menos dos personas. Use guantes para protegerse contra los bordes afilados.

Toda ubicación de fijación debe extenderse hasta los pernos; de lo contrario proceda de la siguiente manera:

Realice un corte en el tabique aislante a lo largo de las líneas marcadas. Instale lo necesario entre los pernos firmemente emparejados con la parte frontal del perno existente. Asegúrese de que los tornillos de montaje quedan anclados a los pernos agregados. Reemplace y renueve el acabado del tabique aislante.

Cuando se use en modo re circulante, Para reducir el riesgo de incendio y choque eléctrico, use sólo el kit de conversión modelo Kit carbon filter Shell

Utilización

La campana fue realizada para ser utilizada en la versión filtrante con recirculación interna.

El humo y el vapor de la cocción vienen aspirados en el interno de la campana, filtrados y depurados pasando a través de el/los filtros de grasa y el/los filtros de carbón que DEBE ser suministrados con la campana.

Instalación

IMPORTANTE :Los medios de fijación suministrados con la campana son exclusivamente adecuados para la fijación sobre un cielorraso de mampostería o ladrillos.

La instalación, eléctrica o mecánica, debe ser realizada por personas especializadas.

No corte una vigueta o un perno a menos que sea absolutamente necesario. Si fuera necesario efectuar el corte, deberá construirse un marco de soporte.

Se suministra el material de ajuste necesario para fijar la campana a la mayoría de tipos de muro o techo.

No obstante, un técnico cualificado debe comprobar la idoneidad de los materiales de acuerdo con el tipo de muro o techo.

Antes de efectuar ningún corte, asegúrese de existe espacio libre adecuado en el techo o muro para la expulsión del aire.

La preferencia de la altura de instalación de la campana de los usuarios es por encima de la cocina.

PRECAUCION: PARA LA INSTALACION DE ESTUFAS DE GAS: INSTALE ESTA CAMPANA DE TAL MANERA QUE LA CORNISA INFERIOR SE ENCUENTRE A 30" (76,2 CM) SOBRE LA SUPERFICIE DE COCCION.

PARA LA INSTALACION DE ESTUFAS ELECTRICAS: INSTALE ESTA CAMPANA DE TAL MANERA QUE LA CORNISA INFERIOR SE ENCUENTRA A NO MENOS DE 24" (61 CM) SOBRE LA SUPERFICIE DE COCCION.

PARA USO ELECTRODOMESTICO. POR FAVOR, LEA EL MANUAL DE INSTALACION PARA UNA INSTALACION ESPECIFICA.

Si las instrucciones para la instalación del dispositivo para cocinar con gas especifican una distancia mayor, hay que tenerlo en consideración.

Antes de seleccionar la campana, compruebe la altura del techo y la altura máxima de la campana.

Consulte las últimas páginas de este manual para obtener instrucciones de instalación y conexión eléctrica.

Funcionamiento



Este producto está predispuerto para funcionar con radiocomando Elica, suministrado con el producto o adquirible separadamente como opcional.

Para poder controlar la campana a través del radiocomando es necesario realizar el procedimiento de afiliación.

¡ATENCIÓN!

Para iniciar es necesario desconectar y conectar de nuevo la

campana a la red eléctrica y realizar el procedimiento de afiliación durante el primer minuto de alimentación.

Lea las instrucciones suministradas con el radiocomando donde están señaladas todas las informaciones para su afiliación y para el correcto uso.

Nota: si la campana no debiera funcionar, verificar que el pulsante ON/OFF de la campana esté en posición ON.

Fig. 15

Instrucciones para el servicio de venta y de postventa y mantenimiento

Limpieza

Para la limpieza, utilice **EXCLUSIVAMENTE** un paño impregnado de detergente líquido neutro. **¡NO UTILICE UTENSILIOS O INSTRUMENTOS PARA LA LIMPIEZA!** No utilice productos que contengan abrasivos. **¡NO UTILICE ALCOHOL! ¡NO UTILICE DESINFECTANTES NI PRODUCTOS QUE CONTENGAN CLORO!**

Filtro antigrasa

Fig. 17

Retiene las partículas de grasa producidas cuando se cocina. El filtro antigrasa metálico debe limpiarse una vez al mes con detergentes no agresivos, manualmente o bien en lavavajillas a bajas temperaturas y con ciclo breve.

Con el lavado en el lavavajilla el filtro antigrasa metálico puede desteñirse pero sus características de filtrado no cambian absolutamente.

Filtro al carbón activo (solamente para la versión filtrante)

Fig. 17

Retiene los olores desagradables producidos por la cocción de alimentos.

El filtro al carbón puede lavarse cada dos meses con agua caliente y detergentes adecuados o en lavavajillas a 149°F (65°C) (en caso de lavado con lavavajillas, realice el ciclo de lavado completo sin platos en el interior.). Quite el agua que haya quedado en el filtro sin estropearlo, después póngalo en el horno a 212°F (100°C) durante diez minutos para secarlo completamente. Cambie el almohadillado cada 3 años y cada vez que el paño se estropee.

Sustitución de la lámpara

4x7 W + 1x9 W LED

Para la sustitución dirigirse al servicio asistencia técnica .

ELICA North America

GARANTÍA LIMITADA DE DOS AÑOS

Registre su producto en

elica.com

y gane un 3^{er} año de garantía de fábrica que cubre todas las partes además de la mano de obra.

PARA OBTENER SERVICIO DENTRO DE GARANTÍA

El propietario debe presentar su recibo original de la compra. Guarde por favor una copia de su recibo de compra como prueba, para recibir el servicio dentro del periodo de garantía.

PARTES Y GARANTÍA DE SERVICIO

Por el periodo de dos (2) años desde la fecha original de la compra, Elica proveerá, gratuitamente, partes no-consumibles o componentes que hayan fallado debido a defectos de fabricación. Durante estos dos (2) años de garantía limitada, Elica también proveerá gratuitamente, todo el servicio en casa y mano de obra necesaria para reemplazar cualquier parte defectuosa.

QUÉ NO ESTÁ CUBIERTO

- Daños o fallas del producto causados por accidente o actos de Dios, tales como inundaciones incendios o terremotos.
- Daños o fallas causadas por alteración del producto o por el uso de partes no-originales.
- Daños o fallas del producto causados durante la entrega, manejo o instalación.
- Daños o fallas del producto causados por abuso del usuario.
- Daños o fallas del producto causados por reemplazo de fusibles dañados o reseteo de interruptor de circuito.
- Daño o fallas causados por el uso del producto en un ambiente comercial (no doméstico).
- Viajes de servicio para proporcionar orientación de uso o instalación.
- Bombillas, filtros de carbón o metal y cualquier otra parte consumible.
- Desgaste normal.
- Desgaste terminal debido a abusos del usuario, mantenimiento inadecuado, uso de productos / toallas de limpieza corrosivos o abrasivos y por uso de limpiadores para hornos.
- Cuando el producto no hubiese sido operado de acuerdo con el instructivo de uso que se le acompaña.

QUIÉN ESTÁ CUBIERTO

Esta garantía se extiende al comprador original de productos adquiridos para uso residencial en Norte América (incluyendo Estados Unidos, Guam, Puerto Rico, Islas Vírgenes de EU y Canadá) y Latinoamérica.

Para cualquier defecto estético se tiene una garantía limitada por treinta (30) días de la fecha de compra del usuario final. (Latinoamérica)

Esta garantía no es transferible y aplica solamente al comprador original y no se extiende a propietarios subsequentes del producto. Esta garantía se expresa en lugar de otras garantías, expresadas o implícitas, incluyendo, pero no limitada a ninguna garantía implicada de comercialización o adaptada para propósitos particulares y cualquier otra obligación por parte de Elica considerando, sin embargo, que si la negación de garantías implícitas es inefectiva bajo la ley aplicable, la duración de cualquier garantía implícita será limitada a dos (2) años desde la fecha original de compra o por el periodo necesario como sea requerido por la ley aplicable.

Esta garantía no cubre cualquier daño especial, incidental y/o consecuente, ni pérdidas de ganancias, sufridas por el comprador original, sus clientes y/o usuarios del producto.

A QUIÉN CONTACTAR

Para obtener Servicio bajo Garantía o para cualquier pregunta relacionada a Servicio:

PAÍS	COMPAÑÍA	MAIL CONTACTO SERVICIO TÉCNICO	TELÉFONO SERVICIO TÉCNICO
ESTADOS UNIDOS & CANADÁ (Provincias Occidentales)	SERVICE POWER	elica@servicepower.com	888 732 8018
CANADA (Provincia de Ontario)	AGI SERVICE	service@agintl.qc.ca	888 651 2534
CANADA (Provincias de Quebec & Atlántico)	ATELIERTS G. PAQUETTE	service@ateliersgpaquette.com	800 463 0119
MÉXICO	ARTEXA MEXICO S.A. DE C.V.	servicio@artexa.com	+ 52 81 8625 5063
BRASIL	LOFRA SUDAMERICA LTDA	carlos@lofra.com.br	+ 41 3661 7006
PERÚ	LÍNEA HOGAR	flavio.figari@appliancecenter.pe	+ 51 1 2418055

Artexa Mexico S.A. de C.V. Domicilio: Cañon Grande #7720, Col. La Estanzuela, Monterrey, N.L., 64984, Mexico En ☎ 55 3955 8770 caso de no existir un distribuidor en su localidad, favor de ingresar a www.elica.com/asistencia. ***Solo para México

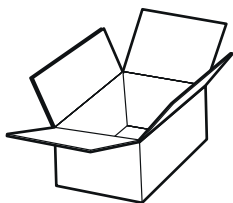
Para garantizar un rápido servicio postventa, cuando llame le pediremos que amablemente brinde la siguiente información que se indica en la placa de identificación que está dentro de la campana: **modelo de campana, 12 NC y fecha de compra en su factura original**. Para acceder a la placa de identificación, todo lo que tiene que hacer es quitar los filtros de grasa.

12NC: _____

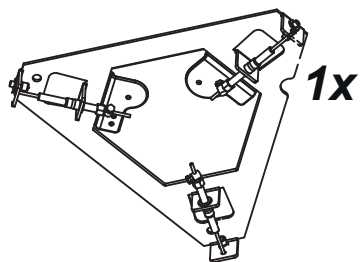
Modelo de campana: _____

No. Serie: _____

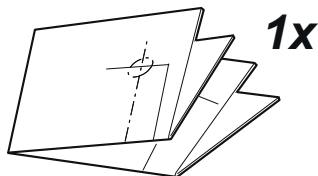
Fecha de compra en su factura original: _____



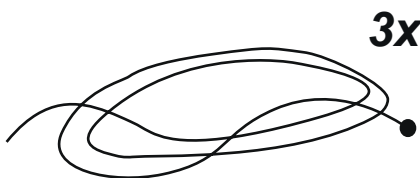
1x



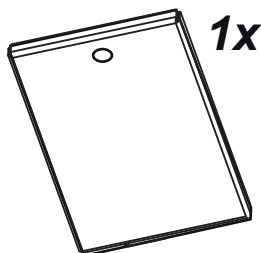
1x



1x



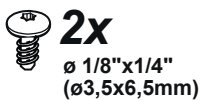
3x



1x

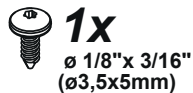


1x



2x

\varnothing 1/8" x 1/4"
(\varnothing 3,5x6,5mm)

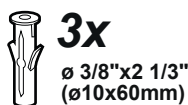


1x

\varnothing 1/8" x 3/16"
(\varnothing 3,5x5mm)

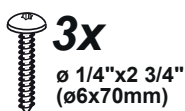


6x



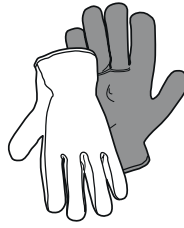
3x

\varnothing 3/8" x 2 1/3"
(\varnothing 10x60mm)

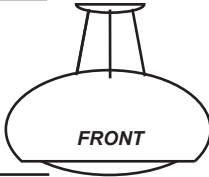


3x

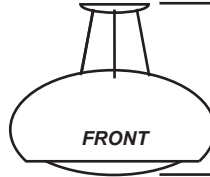
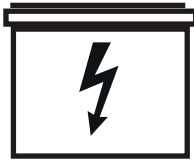
\varnothing 1/4" x 2 3/4"
(\varnothing 6x70mm)



min. 22" 7/16
min. (57 cm)
max. 61" 27/64
max. (156 cm)

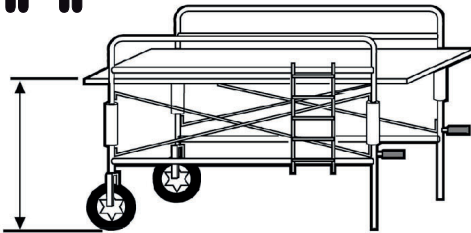


24"
(61 cm)

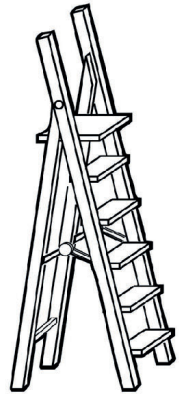


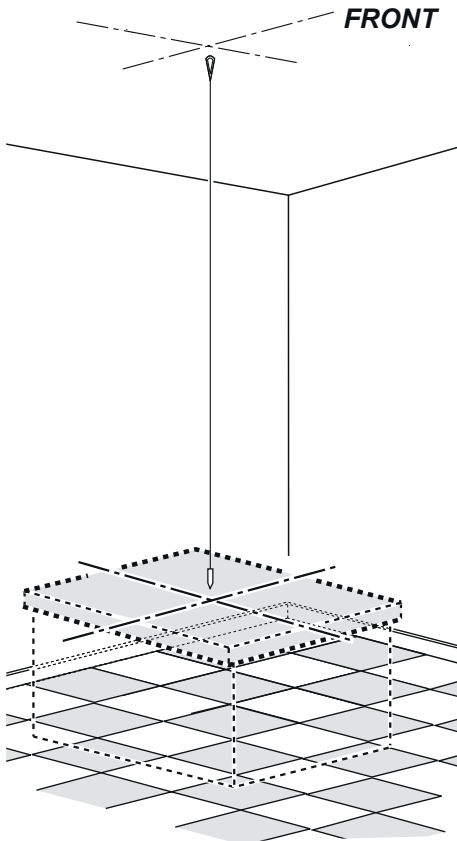
min. 22" 7/16
min. (57 cm)
max. 61" 27/64
max. (156 cm)

30"
(76,2 cm)



X+7 7/8 (20 cm)





Note: Take into consideration the hood depth; the hood could be much deeper than the cooktop.

- a. Mark center lines of cooktop or range on ceiling above. Use centerlines marked on ceiling to position the mounting template. Note location of hood front (that indicated with a printed arrow), side, and mounting holes indicated on template.

Note: Remember that printed arrow on template corresponds to front of the hood and consequently to side where control panels will be located at the end of installation).

Note : Tenez compte de la profondeur de la hotte; la hotte peut être beaucoup plus profonde que la surface de cuisson.

- a. Marquez les lignes de centre de la surface de cuisson ou de la cuisinière au plafond, au-dessus de l'appareil. Utilisez ces lignes de centre au plafond pour positionner le modèle de montage. Notez sur le modèle l'emplacement de l'avant (indiqué avec une flèche) et des côtés de la hotte, ainsi que des ouvertures de montage.

Note : Souvenez-vous que la flèche sur le modèle représente l'avant de la hotte et, donc, le côté où sera installé le panneau de commandes une fois l'appareil installé.

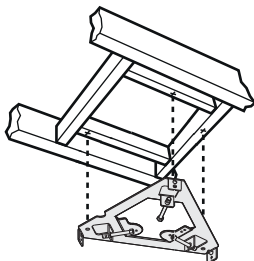
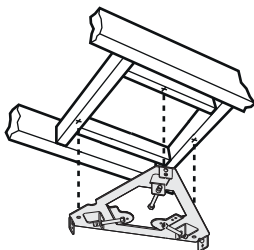
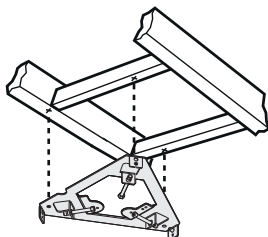
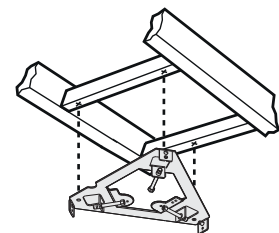
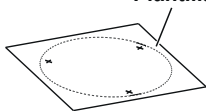
Nota: tenga en cuenta la profundidad de la campana; es posible que la campana tenga una mayor profundidad que la cocina.

- a. Marque las líneas centrales de la cocina o de la campana en el techo. Utilice las líneas centrales marcadas en el techo para colocar la plantilla de montaje. Observe que en la plantilla se indican la ubicación de la parte delantera de la campana (mediante una flecha), el lateral y los orificios de montaje.

Nota: no olvide que la flecha impresa en la plantilla corresponde a la parte delantera de la campana y, por lo tanto, al lateral donde se colocarán los paneles de control al final de la instalación).

Ceiling
Plafond
Techo

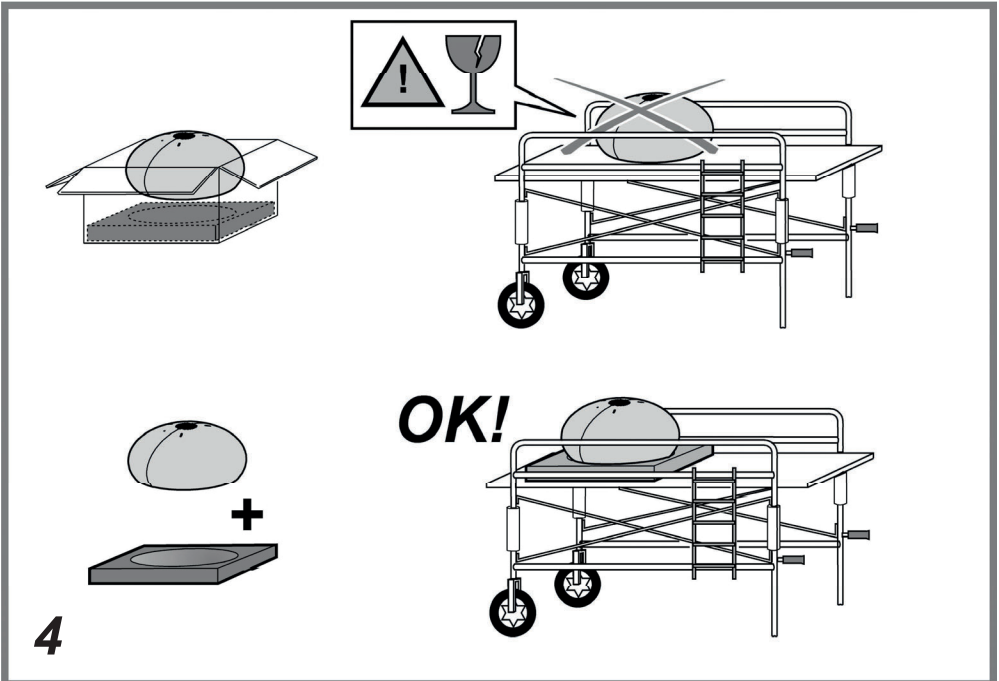
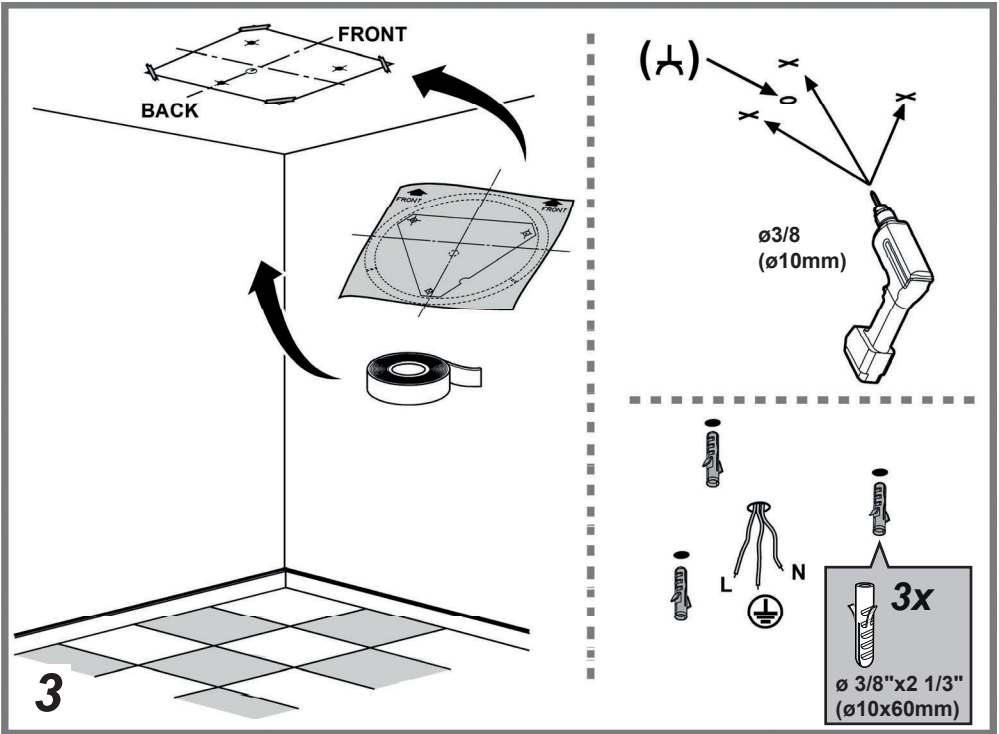
Template
Modèle
Plantilla



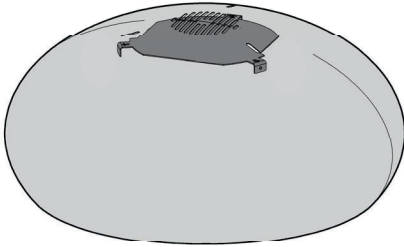
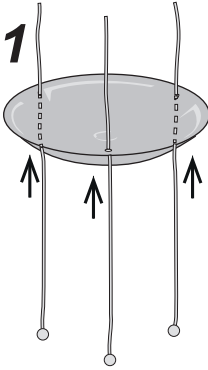
- b. Remove and save template. Cut and remove ceiling drywall. Install suitable length 2" x 4" lumber between joists to provide support bracket mounting points as shown above. Use template for dimensions and required clearance. Make sure to affix the added lumber firmly and level. Consult a professional if you have difficulties or your installation is unique. Consult template and Figs. above.
- c. Install drywall; then refinish ceiling. Determine the required position for the conduit and cut a 1-1/4" (3.2 cm) hole at this location. Run wires through hole according to the National Electrical Code or CSA Standards and local codes and ordinances.
- d. Tape Template in place and mount the support bracket with wood screws (Supplied in mounting hardware kit) on locations marked on template, then remove template.

- b. Enlevez le modèle et conservez-le. Pratiquez une ouverture dans la cloison sèche. Installez un 2 po x 4 po de longueur adéquate entre les montants, qui constituera les points de montage de le support de fixation, comme il est indiqué ci-dessus. Pour connaître les dimensions et le dégagement nécessaire, utilisez le modèle. Assurez-vous de fixer la pièce de bois solidement et à niveau. Si vous avez des difficultés ou que votre installation comporte des problèmes particuliers, consultez un professionnel. Consultez le modèle et les illustrations ci-dessus.
- c. Installez une cloison sèche, puis terminez la finition du plafond. Déterminez la position nécessaire pour le conduit et coupez une ouverture de 1-1/4 po (3,2 cm) à cet endroit. Passez les fils à cet endroit en respectant les normes du code national de l'électricité ou de la CSA, ainsi que les codes et les ordonnances en vigueur dans votre région.
- d. Fixez le support de fixation à l'aide de vis à bois (Fournies dans la trousse de quincaillerie de montage) sur les marques tracées sur le modèle, puis enlevez le modèle.

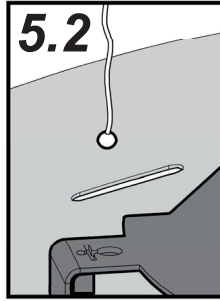
- b. Eliminar y guardar la plantilla. Cortar y retirar los paneles de yeso del techo. Instalar las tablas de madera de 2" x 4" de longitud adecuada entre las viguetas para proporcionar puntos de montaje de los soportes como se muestra arriba. Utilizar la plantilla para las dimensiones y el espacio libre requerido. Asegurarse de fijar la madera añadida de forma firme y nivelada. Consultar con un profesional si tiene dificultades o su instalación es única. Consultar la plantilla y las figuras anteriores.
- c. Instalar paneles de yeso; luego pintar de nuevo el techo. Determinar la posición requerida para el conducto y cortar un agujero de 1-1/4" (3,2 cm) en esta ubicación. Pasar los cables por el agujero de acuerdo con el Código Eléctrico Nacional o las normas CSA y los códigos y ordenanzas locales.
- d. Fijar la plantilla con cinta adhesiva y montar el soporte con tornillos para madera (suministrados en el kit de accesorios de montaje) en los lugares marcados en la plantilla, luego retirar la plantilla.



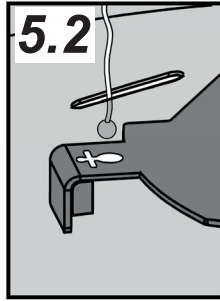
5.1



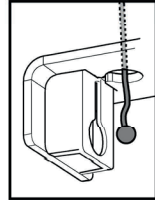
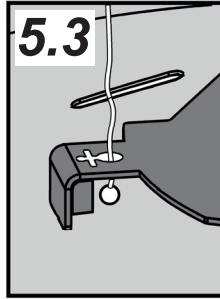
5.2



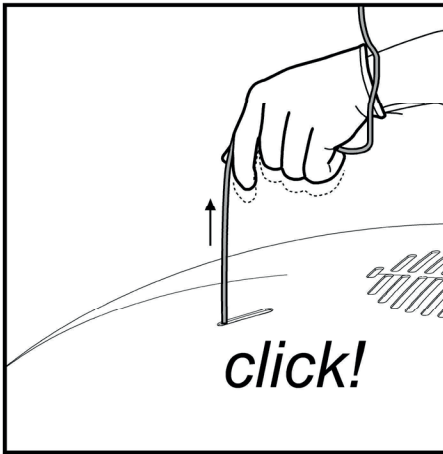
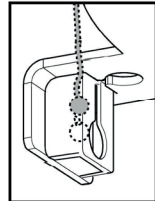
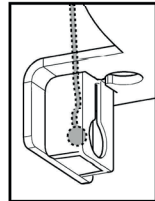
5.2



5.3



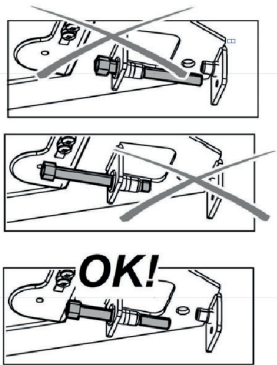
5.4



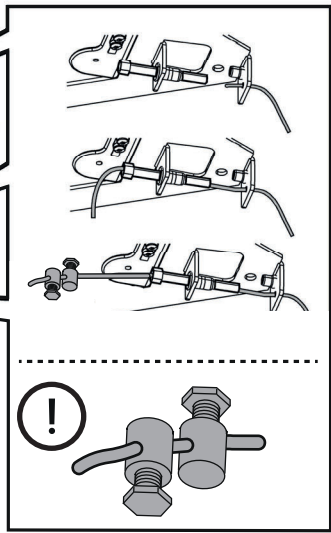
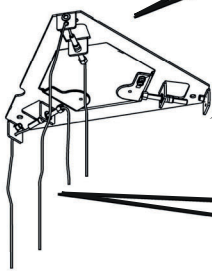
5

 *click!*

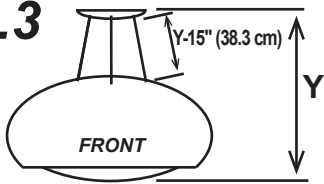
6.1



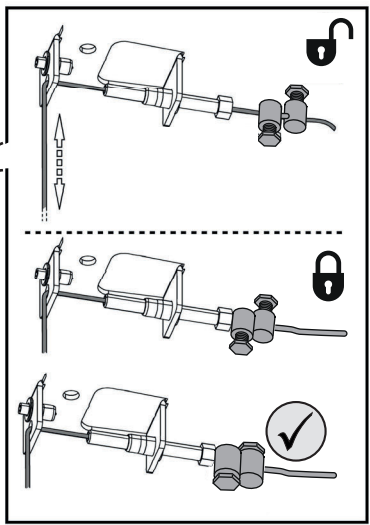
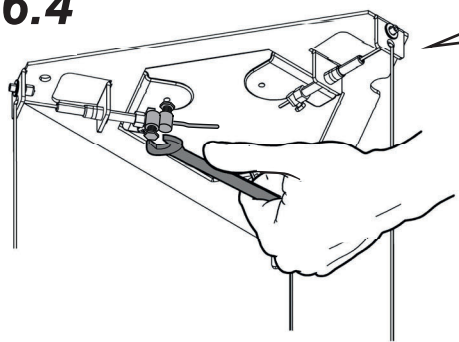
6.2



6.3



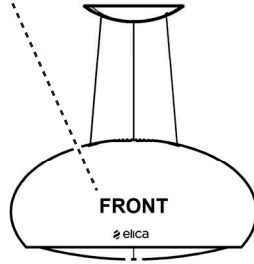
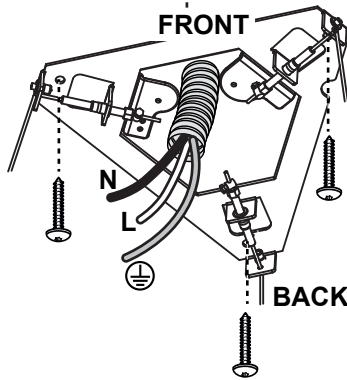
6.4





3x

Ø 1/4"x2 3/4"
(Ø6x70mm)

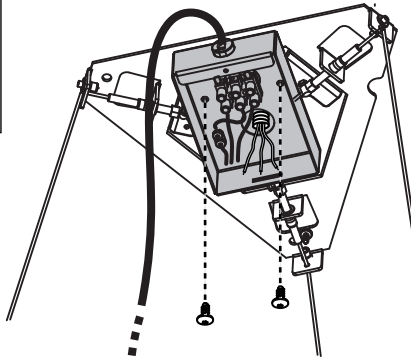


7

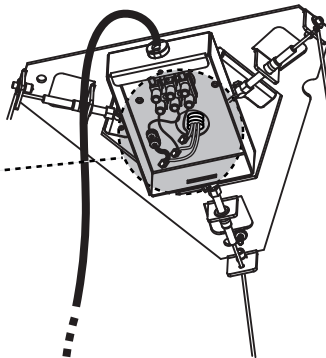
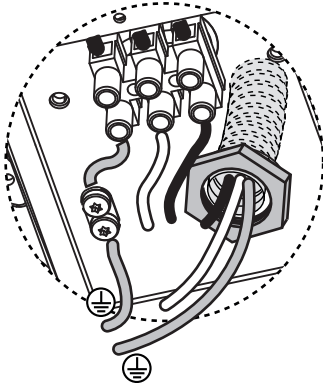


2x

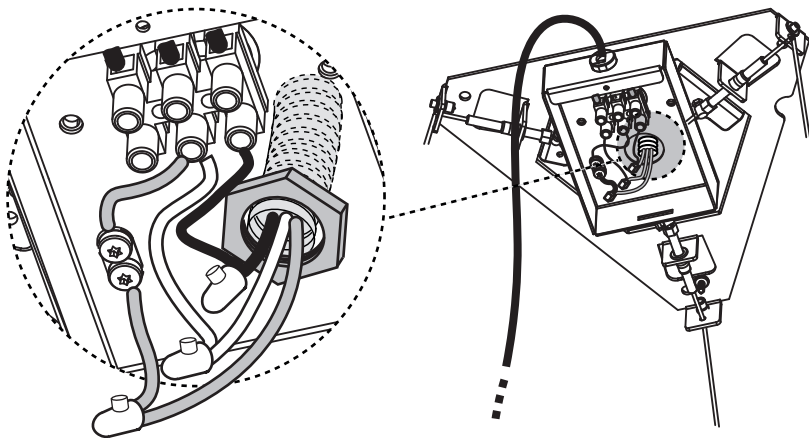
Ø 1/8"x1/4"
(Ø3,5x6,5mm)



8



9



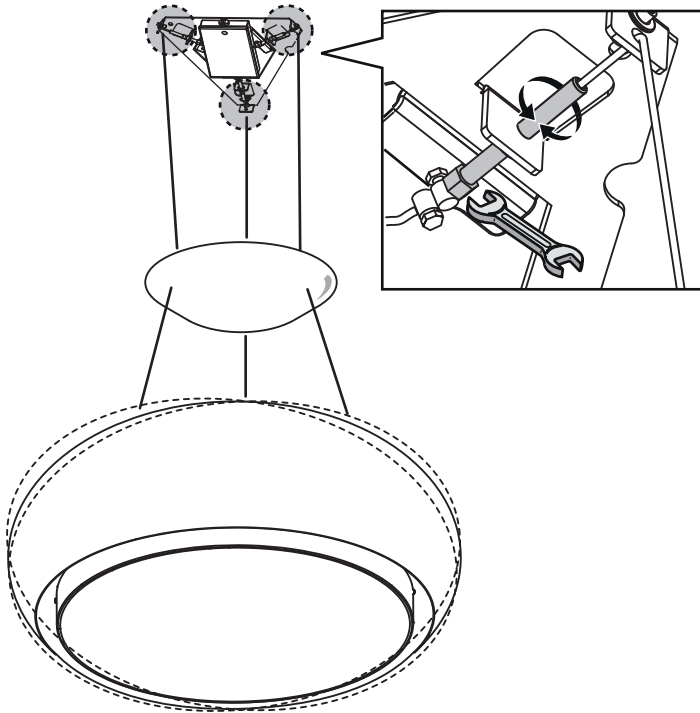
10



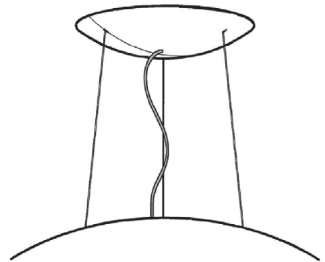
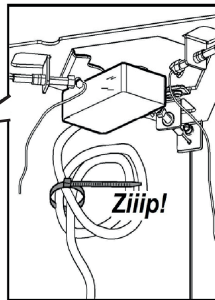
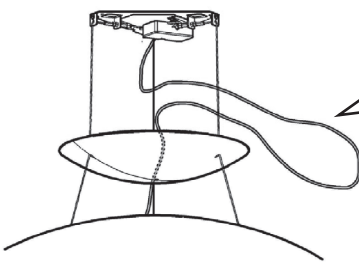
1x

ø 1/8" x 3/16"
(ø3,5x5mm)

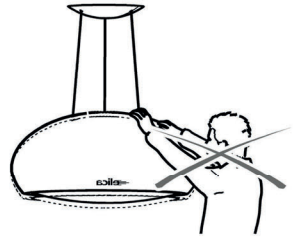
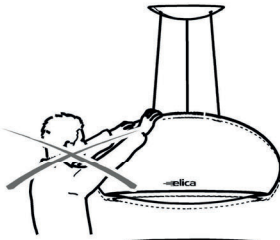
11



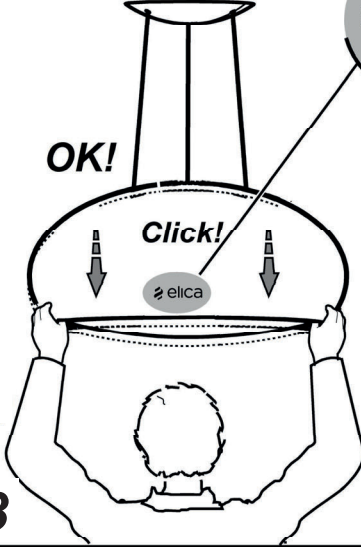
12



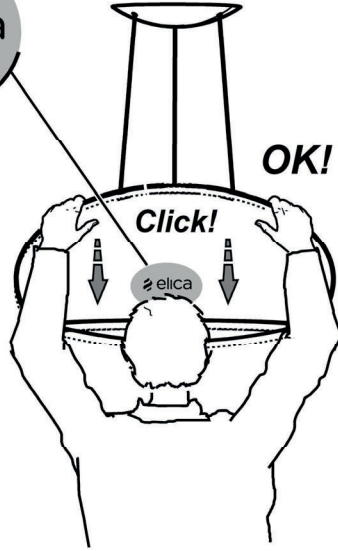
12.1



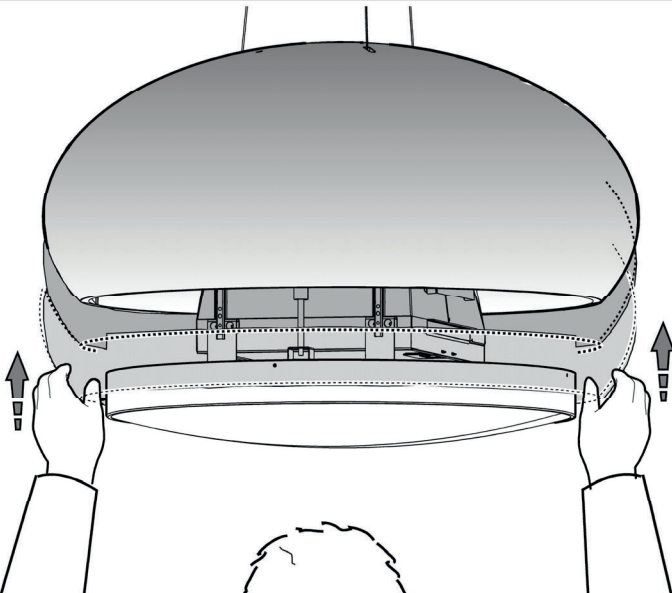
OK!



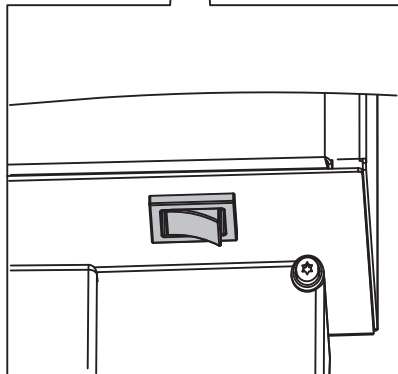
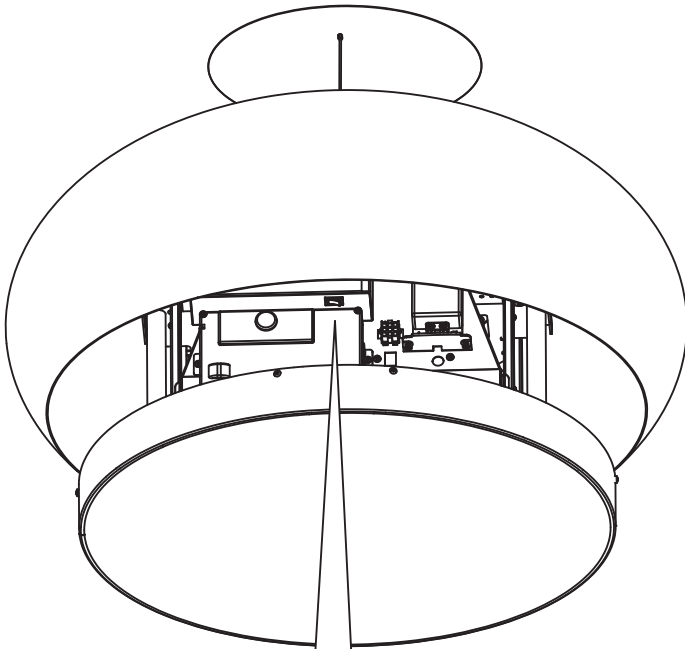
OK!



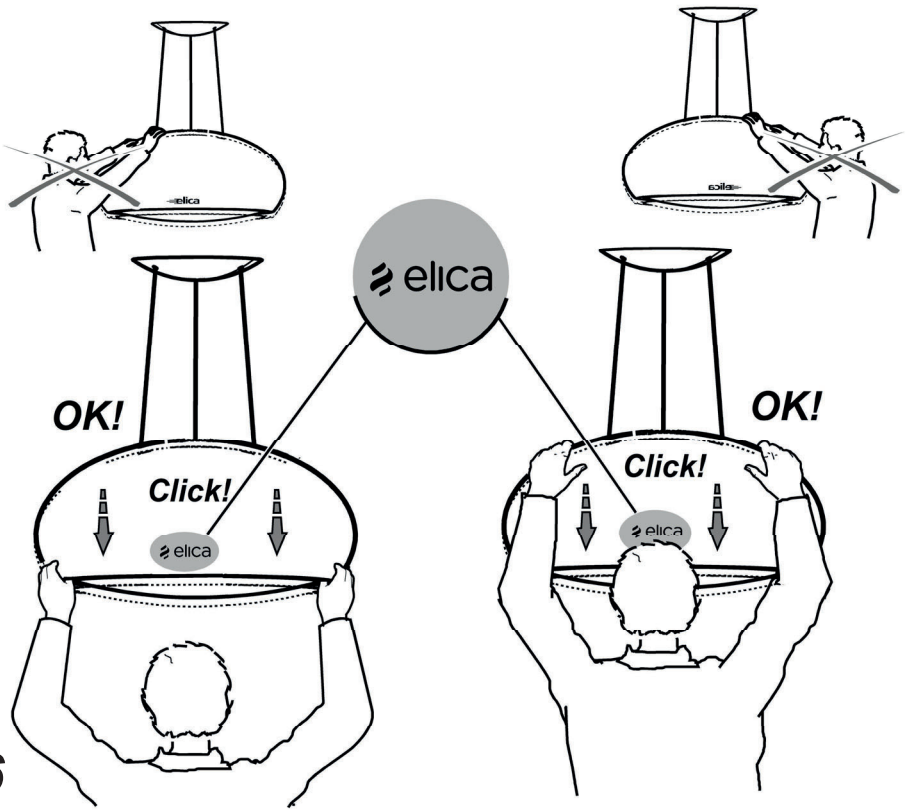
13



14

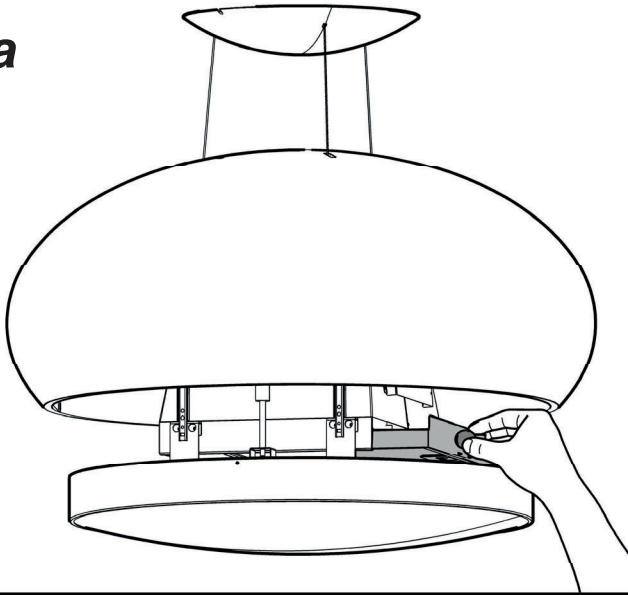


ON / OFF

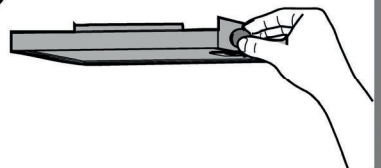
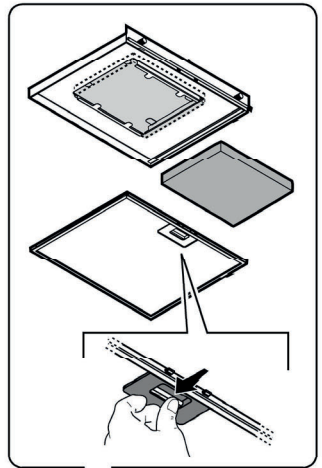
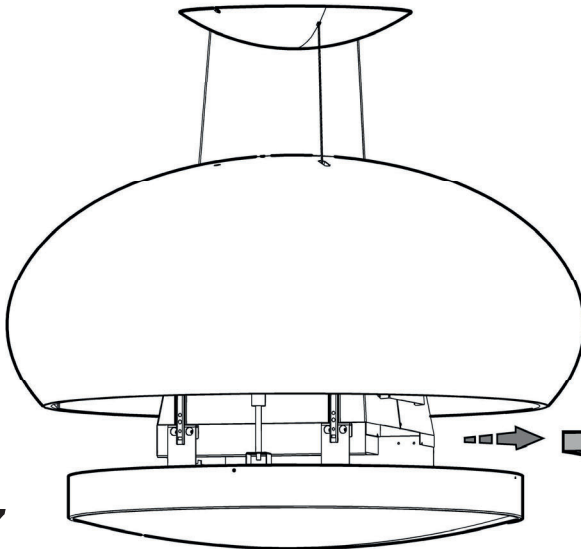


16

17 a



17 b



17

LIB0165818 Ed. 05/22



www.elica.com