

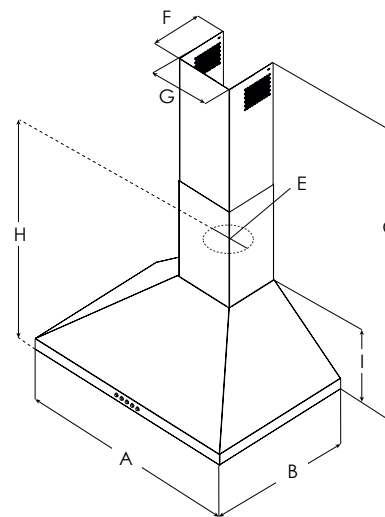
COMFORT SERIES
VOLTERRA



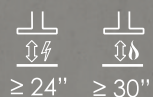
ELICA'S EXCLUSIVE PLUS FEATURES

Voltterra, with its pyramid shaped angles and stainless steel finish, makes a striking visual statement to any kitchen. Available in 24" width, Voltterra features backlit push button controls, LED lighting and 3-speed blower. It also features a telescopic chimnet for up to 9'2" ceilings.

Designed for standar ducted installation Voltterra can also be installed as a recirculating system using the kit available as an accessory.



*Ductless version (Recirculating)
**Ducted version



MOUNTING HEIGHT RANGE

	EVL424SS	EVL430S2	EVL436S2
A	23 5/8" (60 cm)	30" (76.2 cm)	36" (91.4 cm)
B	19 11/16" (50 cm)		
C*	Max: 42 1/8" (107 cm) Min: 28 3/8" (72 cm)		
D**	Max: 38 3/16" (97 cm) Min: 28 3/8" (72 cm)		
E	6" (15.24 cm)		
F	7 3/16" (18.3 cm)		
G	8 3/16" (20.8 cm)		
H	14 5/8" (37.1 cm)		
I	10" (25.4 cm)		

SPECIFICATIONS

Width:	24" Unit	30" Unit	36" Unit
Model:	EVL424SS	EVL430S2	EVL436S2
Dimensions:	23 5/8"W x 19 11/16" D x Min: 28 3/8" Max 41 1/8" H	30"W x 19 11/16" D x Min: 28 3/8" Max 41 1/8" H	36"W x 19 11/16" D x Min: 28 3/8" Max 41 1/8" H
Blower Type(internal):**	400 CFM(3-speed)		
Noise (sones):**	5.9 Sones		
Finish:	Stainless Steel		
Controls:	Backlit Electronic Push Buttons		
Illumination:	2 LED Lights, 2.1 W, 3000 K		
Grease Filter:	Dishwasher-safe, Anodized Aluminum Mesh Filter 2 for 24" & 3 for 30" 36"		
Duct Transition:	6" Round with BackDraft Damper (top only)		
Installation Type:	Ducted or Recirculating (Kit sold separately)		
Telescopic Chimney:	Can reach ceiling heights of 7'5" - 9'1" (ducted), 7'5" - 9'6" (recirculating)		
Electrical:	120V - 60 Hz, 265 W		
KITS:			
Chimney Extension Kit:	KIT02762 (Reaches ceiling heits of 8' 15"-11'3" (ducted), 8'6"-11'7" Recirculating)		
Recirculating Kit:	KIT02766 (contains 6" deflector and 2 round carbon filters)		
CFM Reduction Kit:	KIT0175561 (achieves 280 CFM)		
Upgrade Filter Kit	GF04YB (Stainless Steel Microhole Filter - contains 1 filter)		
WARRANTY:***	Two (2) Years Parts & In-Home Labor. Earn an additional One (1) Year of Parts & In-Home Labor by registering on elica.com.		

PLUS FEATURES



3X LAYER GREASE FILTER - Elica aluminum mesh filters are a step above competition, featuring triple layered, anodized aluminum that is woven into a highly dense mesh. The thick mesh captures more grease, anodization helps resist staining and provides durability to repeated cleanings in the dishwasher.



LED LIGHT - LED lighting is undoubtedly the smartest solution in terms of energy saving. Expected life is over 20,000 hours, and should last the full life of the hood.



Certified Ratings	High Speed	Working Speed	Duct Size
CFM	350	100	6" (Vertical)
Sones	8	1	6" (Vertical)

* The product images shown are for illustration purposes only and may not be an exact representation of the product.

** Blower performance indicates the performance of the blower by itself. Performance claims are not AHAM certified but were established in accordance with HVI Standardized test procedure. For Certified Ratings, please refer to AHAM Certified Product Directory. Electric Ratings are declared according to UL.

*** For valid warranty extension, register within 3 months from purchase. For USA & Canada Users Only.