

COMFORT SERIES
NEMI



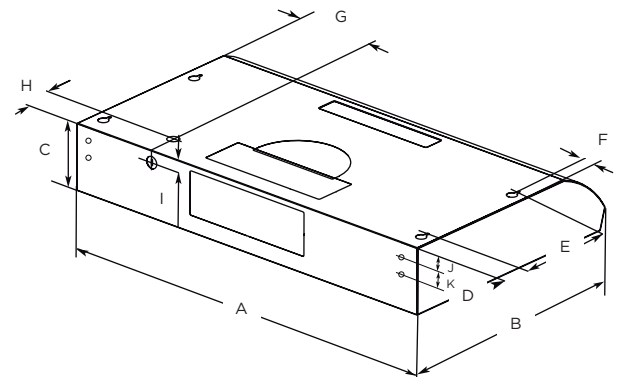
3X LAYER MESH FILTER



LED LIGHT

ELICA'S EXCLUSIVE PLUS FEATURES

Nemi sports a slender 5" height and soft curves, designed to modernize and perfectly fit kitchens where space is premium. Nemi features a 3-speed, 280 CFM internal blower, which provides sufficient ventilating power for most kitchens. The backlit push button controls allow for easy adjustment of blower speeds and dual LED lamps. A single dishwasher-safe anodized aluminum mesh filter is easy to clean. Available in 30" or 36" widths, Nemi is designed for standard ducted installation, and can be installed as a recirculating system, using the Recirculating Kit, available as an accessory.



	Models	
	ENM230S1	ENM236S1
A	30" (76.2 cm)	36" (91.4 cm)
B	18 ⁵ / ₈ " (47.3 cm)	
C	4 ¹ / ₂ " (12.5 cm)	
D	1 ¹ / ₂ " (3.8 cm)	
E	9" (22.9 cm)	
F	1" (2.5 cm)	
G	6 ⁹ / ₁₆ " (16.7 cm)	
H	1 ⁵ / ₁₆ " (5 cm)	
I	7 ⁸ / ₁₆ " (2.2 cm)	
J	1 ¹ / ₁₆ " (2.6 cm)	
K	1 ⁷ / ₁₆ " (3.6 cm)	

SPECIFICATIONS

Width:	30" UNIT	36" UNIT
Model:	ENM230S1	ENM236S1
Dimensions:	30"W x 18 5/8"D x 5"H	36"W x 18 5/8"D x 5"H
Blower Type(internal):**	280 CFM (3 -speed)	
Noise (sones):**	4.9 Sones	
Finish:	Stainless Steel	
Controls:	Backlit Electronic Push Buttons	
Illumination:	2 LED, 2.1 W, 4000 K	
Filter Type:	(1)Dishwasher-Safe, Anodized Aluminum Mesh Filter	
Duct Transition:	3 1/4" x 10" (Top or Rear), or 7" round (sold separatley)	
Installation Type:	Ducted or Recirculating (Kit sold separately)	
Electrical:	120 V, 60 Hz, 115 W	
KITS:		
No Return Valve 7"	KIT02723	
Duct Transition 7"	KIT02722	
Recirculating Kit:	KIT02179	
WARRANTY:***	Two (2) Years Parts & In-Home Labor. Earn an additional One (1) Year of Parts & In-Home Labor by registering on elica.com.	

PLUS FEATURES



3X LAYER GREASE FILTER - Elica aluminum mesh filters are a step above competition, featuring triple layered, anodized aluminum that is woven into a highly dense mesh. The thick mesh captures more grease, anodization helps resist staining and provides durability to repeated cleanings in the dishwasher.



LED LIGHT - LED lighting is undoubtedly the smartest solution in terms of energy saving. Expected life is over 20,000 hours, and should last the full life of the hood.



Certified Ratings	High Speed	Working Speed	Duct Size
CFM Sones	260 7	100 1.5	3.25 x 10" (Horizontal)
CFM Sones	260 7	120 2	3.25 x 10" (Vertical)
CFM Sones	300 8.5	140 2	7" vertical

* The product images shown are for illustration purposes only and may not be an exact representation of the product.

** Blower performance indicates the performance of the blower by itself. Performance claims are not AHAM certified but were established in accordance with HVI Standardized test procedure. For Certified Ratings, please refer to AHAM Certified Product Directory. Electric Ratings are declared according to UL.

*** For valid warranty extension, register within 3 months from purchase. For USA & Canada Users Only.