



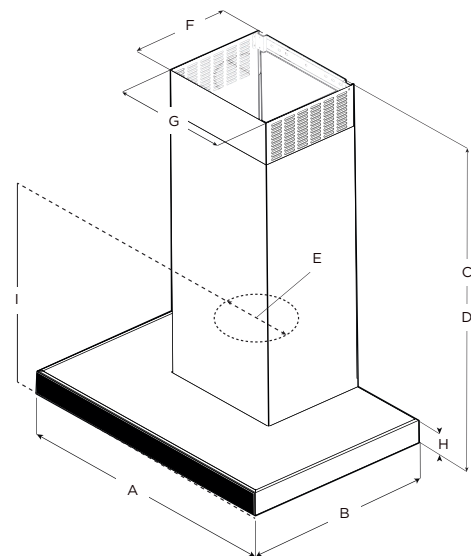
- 
TOUCH CONTROL
- 
LED LIGHT
- 
HUSH SYSTEM
- 
DIM LIGHT
- 
TOP PERFORMANCE
- 
CRS
CFM REDUCTION

ELICA'S EXCLUSIVE PLUS FEATURES

With a minimalist design but a strong stainless steel construction, Mezzano is in tune with avant-garde appliances where clear and architectural lines take precedence.

Mezzano has a powerful 600 CFM blower, LED dimmable stainless steel microhole filters and high-tech multi-function touch controls that deliver convenience and safety.

Mezzano was designed for standard ducted installation, but can also be installed using the Recirculating Kit, available as an accessory.



	EMZ630S3	EMZ636S3
A	30" (76.2 cm)	36" (91.4 cm)
B	19 11/16" (50 cm)	
C*	Max: 54 11/16" (139 cm) Min: 33 11/32" (86 cm)	
D**	Max: 50 5/16" (129 cm) Min: 29 11/16" (77 cm)	
E	6" (15.24 cm)	
F	10 3/4" (27 cm)	
G	13" (33 cm)	
H	2 9/16" (6 cm)	
I	16 3/32" (40.8 cm)	

* Ductless (Recirculating) version
** Ducted version



- 
≥27"
- 
≥30"

MOUNTING
HEIGHT
RANGE

TECHNE SERIES
MEZZANO
 SPECIFICATIONS



Width:	30" UNIT	36" UNIT
Model:	EMZ630S3	EMZ636S3
Dimensions:	30"W x 19 11/16"D x Min: 29 11/16" Max: 54 11/64"H	36"W x 19 11/16"D x Min: 29 11/16" Max: 54 11/64"H
Blower Type(internal):**	600 CFM (3-speed internal + boost)	
Noise (sones):**	6.8 Sones	
Finish:	Stainless Steel with Black Tempered Glass	
Controls:	Capacitive Touch (Glass)	
Illumination:	2 Premium Dimmable LED Lights, 2.1 W, 4000 K	
Grease Filter:	Dishwasher-Safe, Stainless Steel Microhole Filter	
Duct Transition:	Round 6" Top Discharge	
Installation Type:	Ducted or Recirculating with Installation Kit (sold separately)	
Telescopic Chimney:	Can reach ceiling heights of min 7'6", max 10'2" (ducted out) & min 7'10", max 10'6" (recirculating).	
Electrical:	120 V, 60 Hz, 455 W	
KITS:		
Recirculating Kit:	KIT0102875 (Contains 6" Deflector, 3 flat Carbon Filters and Clips)	
Long Chimney Extension:	KIT02785 (Can reach 8'6" - 12' 2"(ducted), 8'10" - 12'6" (recirculating))	
WARRANTY:***	Two (2) Years Parts & In-Home Labor. Earn an additional One (1) Year of Parts & In-Home Labor by registering on elica.com.	

PLUS FEATURES



LED LIGHT - LED lighting is undoubtedly the smartest solution in terms of energy saving. Expected life is over 20,000 hours, and should last the full life of the hood.



ELECTRONIC TOUCH CONTROLS - Enjoy the modern design and convenience of multi-function electronic touch controls, which are discreetly hidden behind sleek black glass, and will illuminate a soft blue when activated.



HUSH SYSTEM - An exclusive sound deadening technology that effectively reduces sound levels up to 35%, compared to typical range hoods.



DIM-LIGHT - The Dimmer allows you to adjust the brightness of the light as you wish. With Elica, lighting is customized in a discreet, personal and practical way, in order to contribute in creating the perfect kitchen atmosphere.



TOP PERFORMANCE - Excellent performance for models equipped with this plus. High fume capturing capacity with an average aspiration range of 600 CFM's. with low noise levels, 1.2 - 1.7 sones at working speed.



CFM REDUCTION - CFM Reduction System (CRS), is an exclusive feature to Elica hoods, which enables the user to reduce directly in the glass touch control the maximum blower CFM, to meet local code requirements.



Certified Ratings	High Speed	Working Speed	Duct Size
CFM	400	170	6" (Vertical)
Sones	8	2	6" (Vertical)

* The product images shown are for illustration purposes only and may not be an exact representation of the product.

** Blower performance indicates the performance of the blower by itself. Performance claims are not AHAM certified but were established in accordance with HVI Standardized test procedure. For Certified Ratings, please refer to AHAM Certified Product Directory. Electric Ratings are declared according to UL.

*** For valid warranty extension, register within 3 months from purchase. For USA & Canada Users Only.