



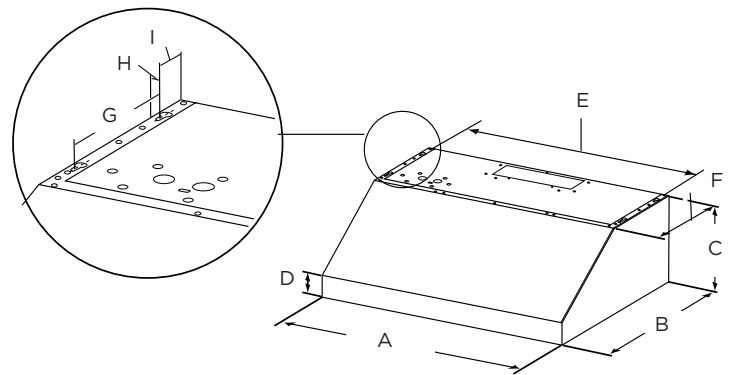
SEMI BAFFLE FILTER



LED LIGHT

ELICA'S EXCLUSIVE PLUS FEATURES

Available in 30" and 36" widths and only 10" high, the Sora offers professional styling and adequate power for most cooking needs. Sora features a 400 CFM blower with dishwasher safe Stainless steel semi baffle slot filters, LED lighting and rocker switch controls for convenience and safety. Sora is sure to deliver easy maintenance, higher efficiency and a cleaner kitchen



≥24"



≥30"

MOUNTING HEIGHT RANGE

	Models	
	ESR430SS	ESR436SS
A	30" (76.2 cm)	36" (91.4 cm)
B	23" (58.4 cm)	
C	10" (25.6 cm)	
D	2" (5.1 cm)	
E	29 1/8" (74 cm)	35 1/8" (89.2 cm)
F	12" (30.5 cm)	
G	7 1/2" (19 cm)	
H	3/8" (1.0 cm)	
I	2 9/16" (6.5 cm)	

SPECIFICATIONS



Width:	30" UNIT	36" UNIT
Model:	ESR430S1	ESR436S1
Dimensions:	30" W x 23"D x 10"H	36" W x 23"D x 10"H
Blower Type(internal):**	400 CFM (2- Speed)	
Noise (sones): **	5.9 Sones	
Finish:	Stainless Steel	
Controls:	Rocker Switches	
Illumination:	2 LED Lamps, 2.1 W, 4000 K	
Grease Filter:	Dishwasher-safe Stainless steel Semi Baffle Slot	
Duct Transition:	3 1/4" x 10" (Top or Rear) with Back Draft Damper	
Installation Type:	Ducted or Recirculating (Kit sold separately)	
Electrical:	120 V, 60 Hz, 265 W	
KITS:		
Recirculating Kit:	KIT02770	
CFM Reduction Kit:	KIT0175561	
WARRANTY:***	Two (2) Years Parts & In-Home Labor. Earn an additional One (1) Year of Parts & In-Home Labor by registering on elica.com.	

PLUS FEATURES



STAINLESS STEEL BAFFLE SLOT FILTERS - A baffle shaped stainless steel filter with mesh backing allows air to pass but blocks grease, which drops into the high capacity baffle cavities. The design delivers large volume capacity, excellent capture efficiency at ALL blower speeds, silent operation, plus, durability that will last the life of the hood.



LED LIGHT - LED lighting is undoubtedly the smartest solution in terms of energy saving. Expected life is over 20,000 hours, and should last the full life of the hood.

HVI Certified Ratings	High Speed	Working Speed	Duct Size
CFM	310	100	3.25 x 10"
Sones	8	0.5	(Vertical)
CFM	310	120	3.25 x 10"
Sones	7.5	0.5	(Horizontal)

* The product images shown are for illustration purposes only and may not be an exact representation of the product.

** Blower performance indicates the performance of the blower by itself. Performance claims are not HVI certified but were established in accordance with HVI Standardized test procedure. For Certified Ratings, please refer to HVI Certified Product Directory. Electric Ratings are declared according to UL.

*** For valid warranty extension, register within 3 months from purchase. For USA & Canada Users Only.