

# PALERMO



INSERT

ASPIRE SERIES

## Dimensions

28 1/4" W x 10 3/4" D x 9 1/2" H

## Models

EPR628SS

Palermo 28" Stainless



halogen lamps



stainless steel push button controls



stainless steel baffle slot filters



Palermo provides professional grade performance, while its 28 1/4" width and 10 3/4" depth enables it to be discreetly installed within standard 12" deep cabinetry, making it ideal for smaller kitchens or where the range hood needs to be out of sight. Palermo has a powerful 600 CFM blower to support most cooking needs. Stylish stainless steel push button controls operate a 3-speed blower and halogen lighting.

Easy maintenance, higher efficiency and a cleaner kitchen are ensured by Elica's patented Baffle Slot Filters, which capture a higher percentage of grease and hold larger volumes of grease than traditional baffle filters. Palermo is designed for standard ducted or recirculating installation.

## FEATURES

<b>Size (in) &amp; Type Finish</b>	28" Wide Insert Stainless Steel
<b>Controls</b>	Stainless Steel Push Button
<b>Illumination</b>	2, 40 Watt Halogen Lamps, 1 Light Intensity (bulbs included)
<b>Installation Type</b>	Ducted or Recirculating Installation Recirculating Kit Sold Separately
<b>Blower Type</b>	600 CFM, 3-Speed Internal
<b>Blower Performance</b>	Speed 1, 190 CFM, 2.1 Sones Speed 2, 350 CFM, 4.7 Sones Speed 3, 600 CFM, 8.1 Sones
<b>Filter Type</b>	2, Dishwasher-Safe, Stainless Steel Baffle Slot
<b>Duct Transition</b>	6" Round with Back Draft Damper (top)
<b>Electrical</b>	120V-60Hz 260 Watts at 4.6 Amps
<b>Warranty</b>	2 Year Parts & Labor, In-Home Service

## ACCESSORIES



### Optional Recirculating Kit with 2 Carbon Filters

CODE: KIT02770  
MODEL: KIT02770



### Optional 30" Hood Liner

29" W x 17 1/2" - 20 1/2"D x 4"H

CODE: KIT02773  
MODEL: EXXHDL30

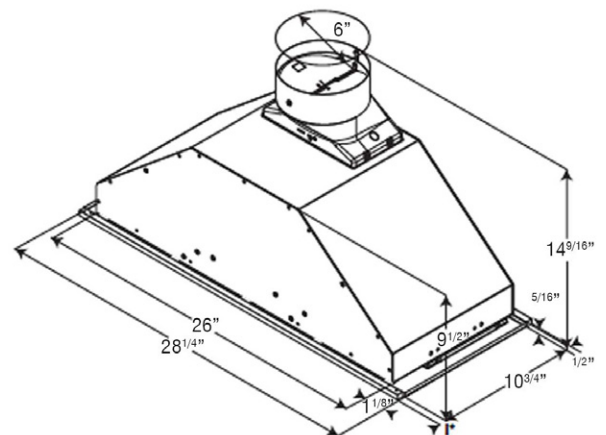


### Optional 36" Hood Liner

25" W x 17 1/2" - 20 1/2"D x 4"H

CODE: KIT02774  
MODEL: EXXHDL36

## LINE DRAWING



## CONSUMABLE PARTS

**Replacement Grease Filter (1)**  
CODE: GRI0018064

**Replacement Carbon Filter (1)**  
CODE: FB016A

**Replacement Light Bulb (1)**  
CODE: 2006EA

Consumable parts are sold in units of one (1). Order accordingly.