

MODEL#: **EBA319PB**

PRODUCT SPECIFICATION SHEET



DESCRIPTION:

Petosky Glass Shelf

WATER FLOW RATE (If applicable):

Not Applicable

AVAILABLE FINISHES:

Chrome, Polished Brass, Oil Rubbed Bronze, Satin Nickel

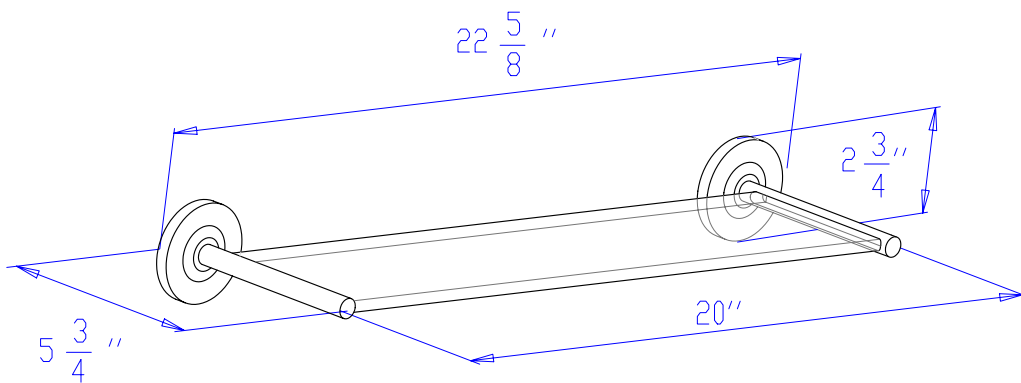
CARTRIDGES (If applicable):

CARTRIDGE TYPE	MODEL #
Hot Cartridge	Not Applicable
Cold Cartridge	Not Applicable
Shared or Single H&C Cartridge	Not Applicable
Diverter (If applicable)	Not Applicable

MODEL SHOWN: EBA319PB

Note: Photo above and Drawing below shows overall style of the product, handle styles may be different to the product model number this specification sheet is referring to

Note: Please always check with Elements of Design Customer Service for Cartridge Model Number Verification before you order.



Glass Shelf