

# MODEL#: **EBA314ORB**

## PRODUCT SPECIFICATION SHEET



**DESCRIPTION:**

Petosky Towel Ring

**WATER FLOW RATE (If applicable):**

Not Applicable

**AVAILABLE FINISHES:**

Chrome, Polished Brass, Oil Rubbed Bronze, Satin Nickel

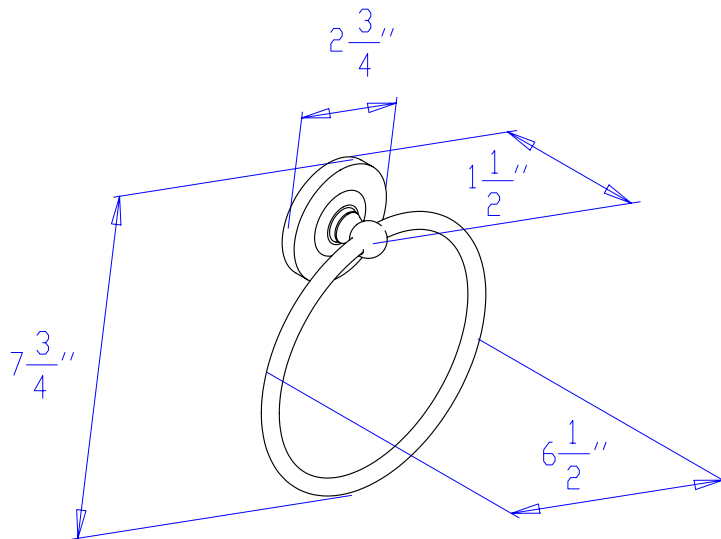
**CARTRIDGES (If applicable):**

CARTRIDGE TYPE	MODEL #
Hot Cartridge	Not Applicable
Cold Cartridge	Not Applicable
Shared or Single H&C Cartridge	Not Applicable
Diverter (If applicable)	Not Applicable

MODEL SHOWN: EBA314ORB

**Note:** Photo above and Drawing below shows overall style of the product, handle styles may be different to the product model number this specification sheet is referring to

**Note:** Please always check with Elements of Design Customer Service for Cartridge Model Number Verification before you order.



6" Towel Ring