

MODEL#: EBA318ORB
PRODUCT SPECIFICATION SHEET



DESCRIPTION:

Petosky Toilet Paper Holder

WATER FLOW RATE (If applicable):

Not Applicable

AVAILABLE FINISHES:

Chrome, Polished Brass, Oil Rubbed Bronze, Satin Nickel

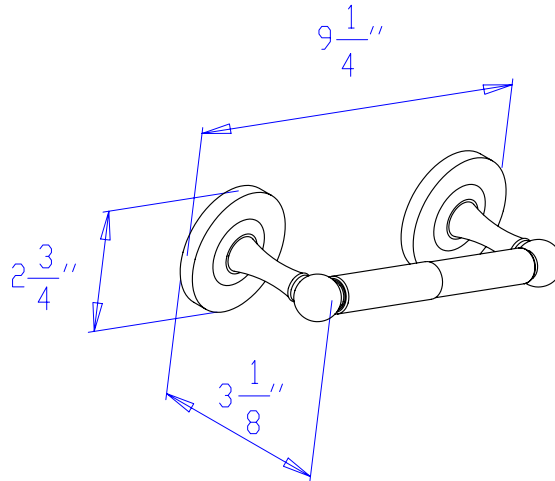
CARTRIDGES (If applicable):

| CARTRIDGE TYPE | MODEL # |
|--------------------------------|----------------|
| Hot Cartridge | Not Applicable |
| Cold Cartridge | Not Applicable |
| Shared or Single H&C Cartridge | Not Applicable |
| Diverter (If applicable) | Not Applicable |

MODEL SHOWN: EBA318ORB

Note: Photo above and Drawing below shows overall style of the product, handle styles may be different to the product model number this specification sheet is referring to

Note: Please always check with Elements of Design Customer Service for Cartridge Model Number Verification before you order.



Toilet Paper Holder