
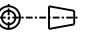
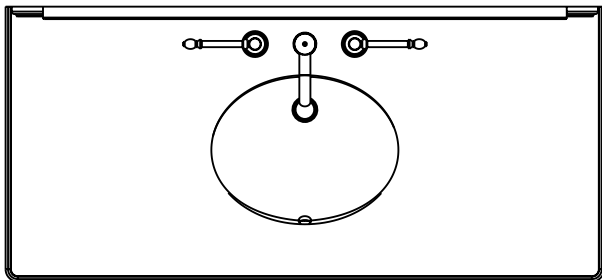
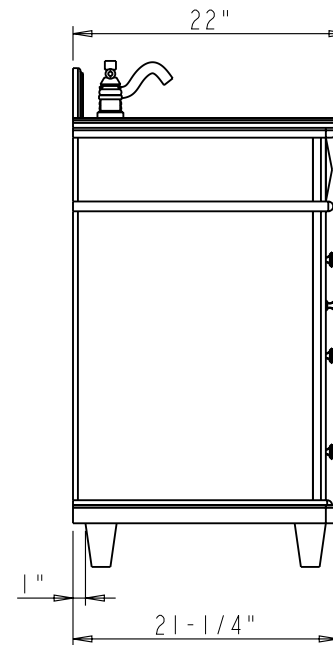
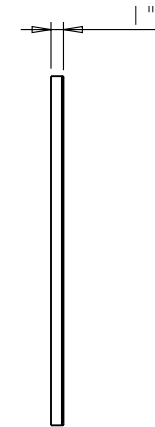
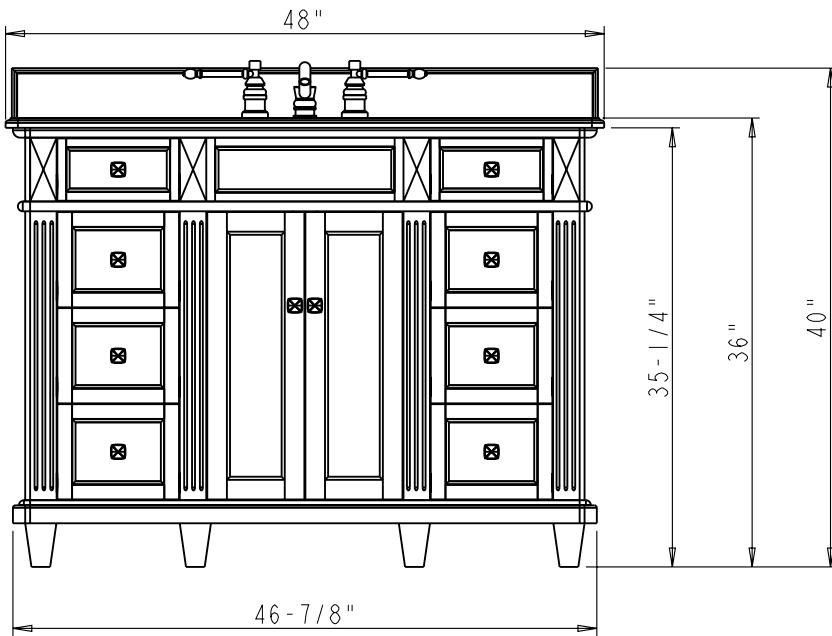
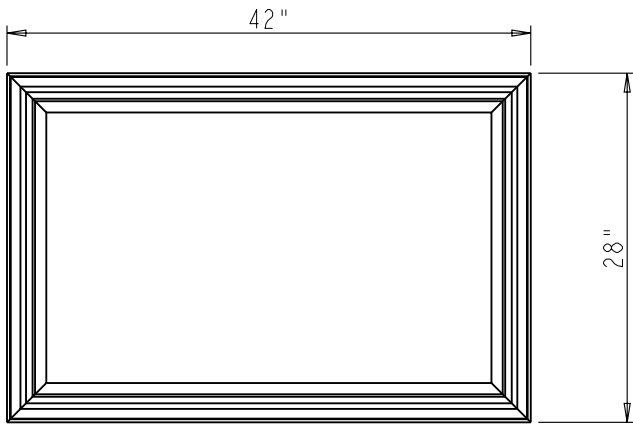


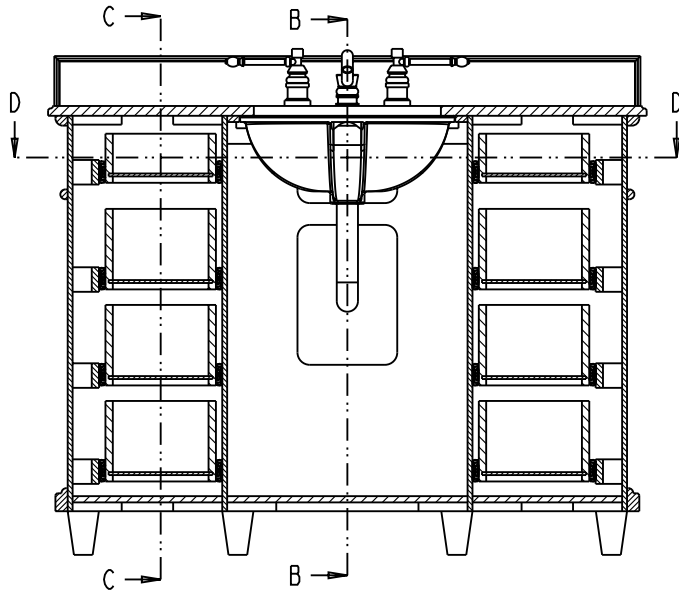
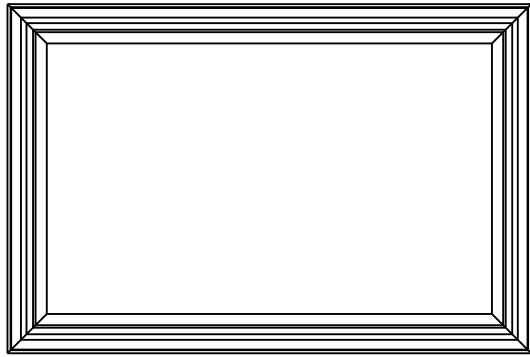
Specification:

1. Material: MDF
2. Finish: BLK
3. Hardware: Vendor's Item (10 PCS)
4. Hinge: Vendor's Item
5. Slider: 303FU-18 (8 SETS)
6. Drawer Boxes: 5/8" Rubber wood
Clear color
Dovetail
7. Bowl: H8809WH
8. The tolerance is +/- 1/8"

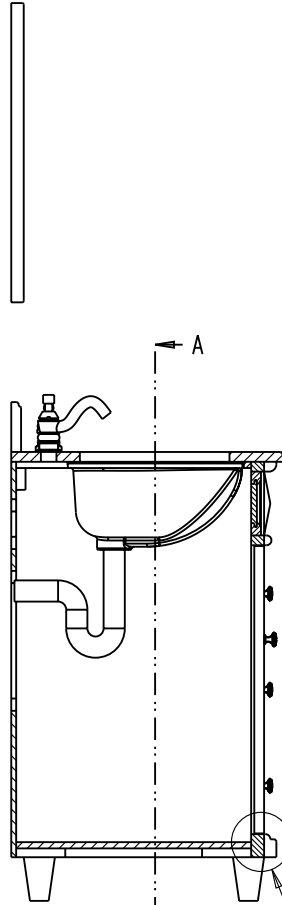
	ITEM#: VAN057-48-T-MW		MATERIAL:	
	FINISH:		WEIGHT: 9	
PROPRIETARY AND CONFIDENTIAL THE INFORMATION CONTAINED IN THIS DRAWING IS THE SOLE PROPERTY OF HARDWARE RESOURCES INC. ANY REPRODUCTION IN PART OR AS A WHOLE WITHOUT THE WRITTEN PERMISSION OF HARDWARE RESOURCES INC. IS PROHIBITED.	UNITS:		PROJECTION 	
	DRAWN BY: <i>alan.liu</i>		DATE:	
	DO NOT SCALE DRAWING		APPROVED BY:	DATE:
	PAGE 01		RELEASE LEVEL:	REVISION:



	ITEM#: VAN057-48-T-MW		MATERIAL:		
	FINISH:		WEIGHT: 9		
<p>PROPRIETARY AND CONFIDENTIAL</p> <p>THE INFORMATION CONTAINED IN THIS DRAWING IS THE SOLE PROPERTY OF HARDWARE RESOURCES INC. ANY REPRODUCTION IN PART OR AS A WHOLE WITHOUT THE WRITTEN PERMISSION OF HARDWARE RESOURCES INC. IS PROHIBITED.</p>	PROJECTION		DATE:		
	DO NOT SCALE DRAWING		UNITS: DRAWN BY: <i>alan liu</i>	DATE:	
	PAGE 02		APPROVED BY:	DATE:	
		RELEASE LEVEL:	REVISION:		

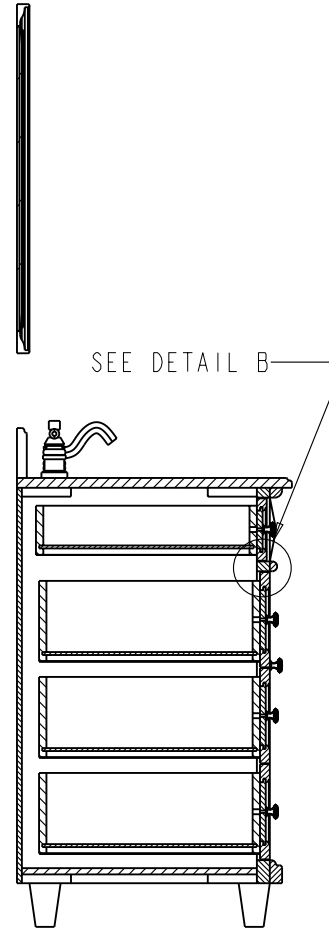


SECTION A-A

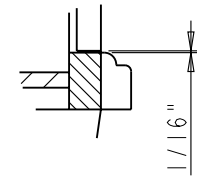


SEE DETAIL A

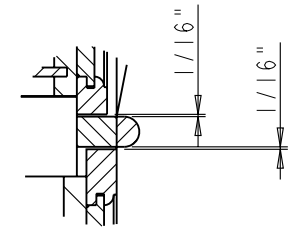
SECTION B-B



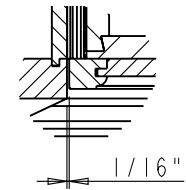
SECTION C-C



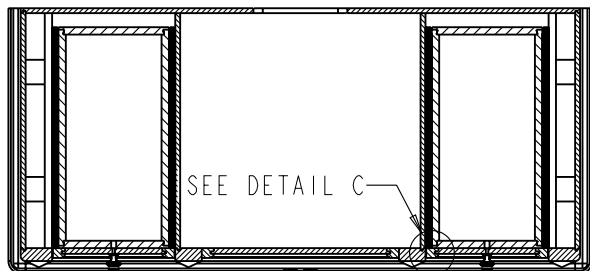
DETAIL A



DETAIL B



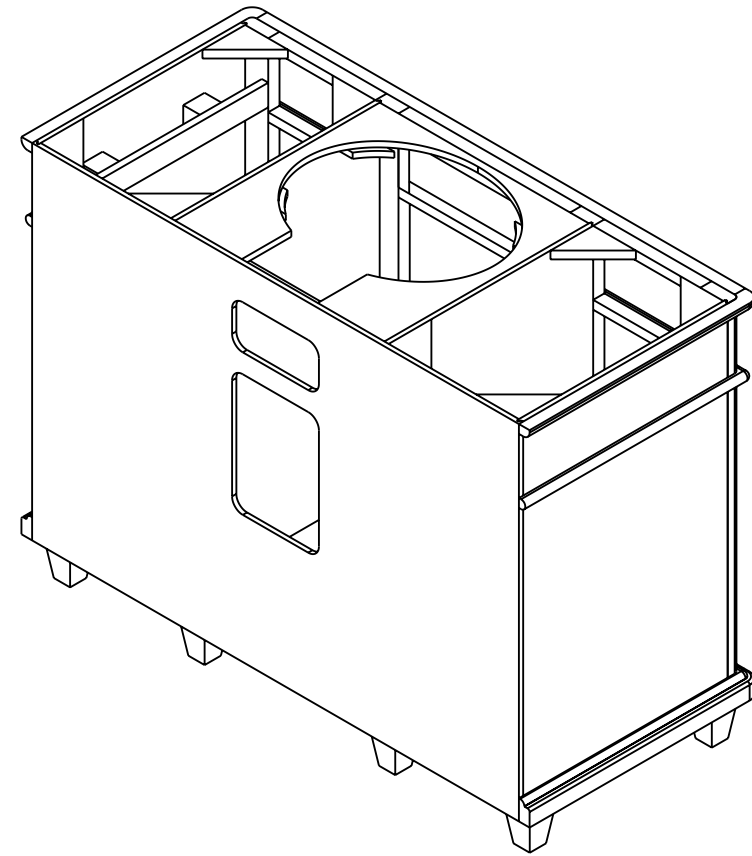
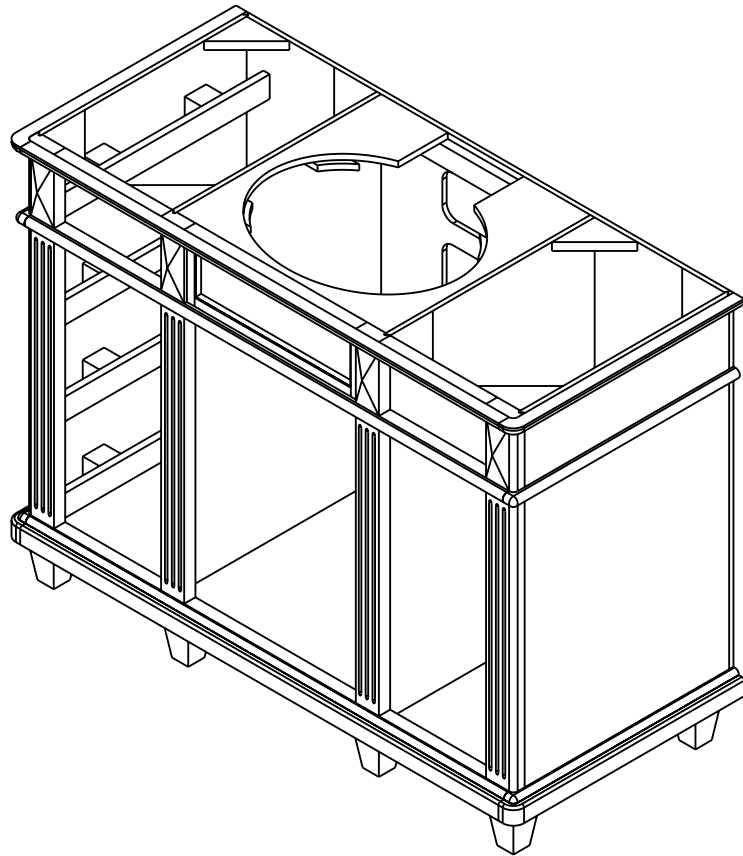
DETAIL C



SEE DETAIL C

SECTION D-D


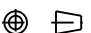
	ITEM:	VAN057-48-T-MW		MATERIAL:
	FINISH:			WEIGHT:
<p>PROPRIETARY AND CONFIDENTIAL</p> <p>THE INFORMATION CONTAINED IN THIS DRAWING IS THE SOLE PROPERTY OF HARDWARE RESOURCES INC. ANY REPRODUCTION IN PART OR AS A WHOLE WITHOUT THE WRITTEN PERMISSION OF HARDWARE RESOURCES INC. IS PROHIBITED.</p>	DO NOT SCALE DRAWING		PROJECTION	9
	UNITS:	DRAWN BY:	DATE:	
	SIZE:	APPROVED BY:	DATE:	
PAGE 03	RELEASE LEVEL:	REVISION:		

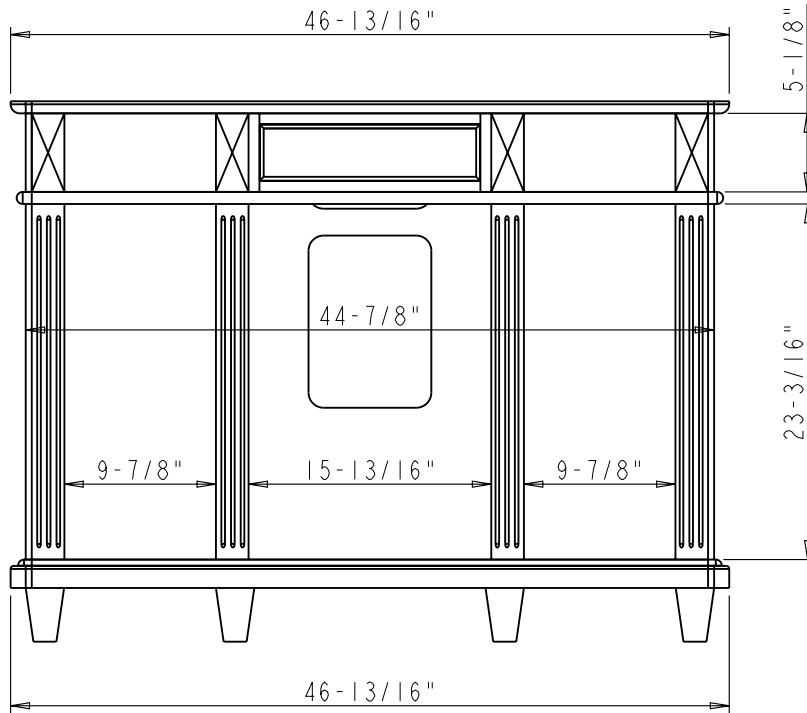


Specification:

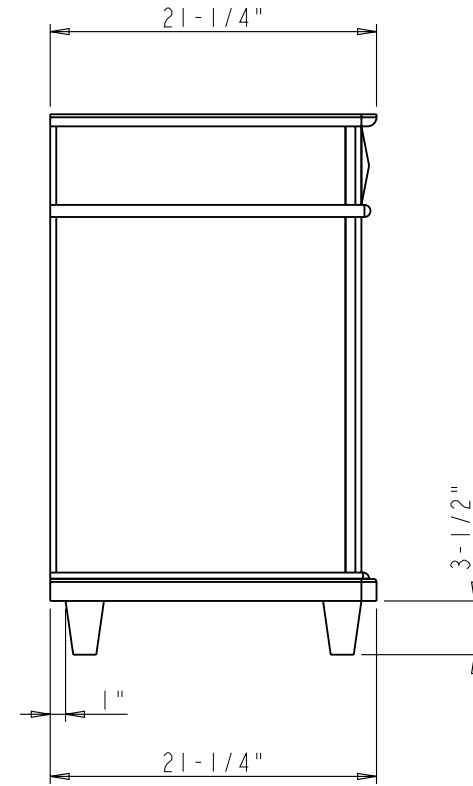
1. Material: MDF

2. Finish: BLK

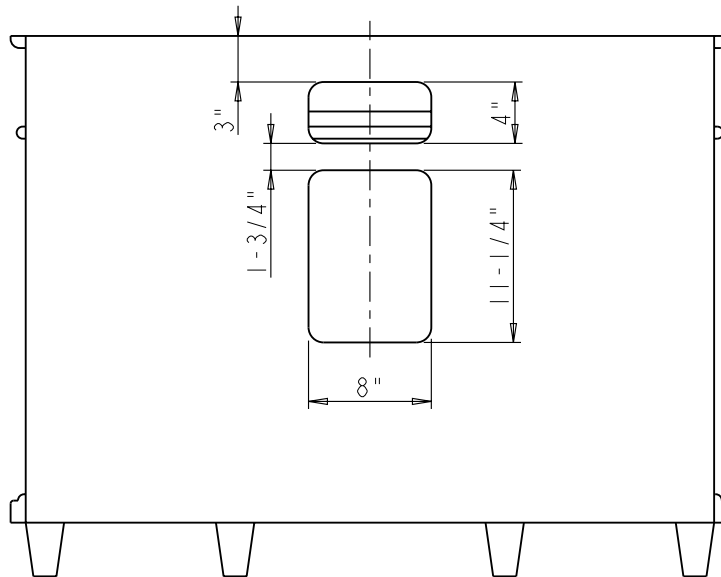
	ITEM#: CABINET		MATERIAL:	
	FINISH:		WEIGHT: 9	
<p>PROPRIETARY AND CONFIDENTIAL</p> <p>THE INFORMATION CONTAINED IN THIS DRAWING IS THE SOLE PROPERTY OF HARDWARE RESOURCES INC. ANY REPRODUCTION IN PART OR AS A WHOLE WITHOUT THE WRITTEN PERMISSION OF HARDWARE RESOURCES INC. IS PROHIBITED</p>	DO NOT SCALE DRAWING		PROJECTION: 	
	UNIT:	DRAWN BY: <i>alan.liu</i>	DATE:	
	SIZE:	CHECKED BY:	DATE:	
PAGE 04		APPROVED BY:	DATE:	



FRONT VIEW

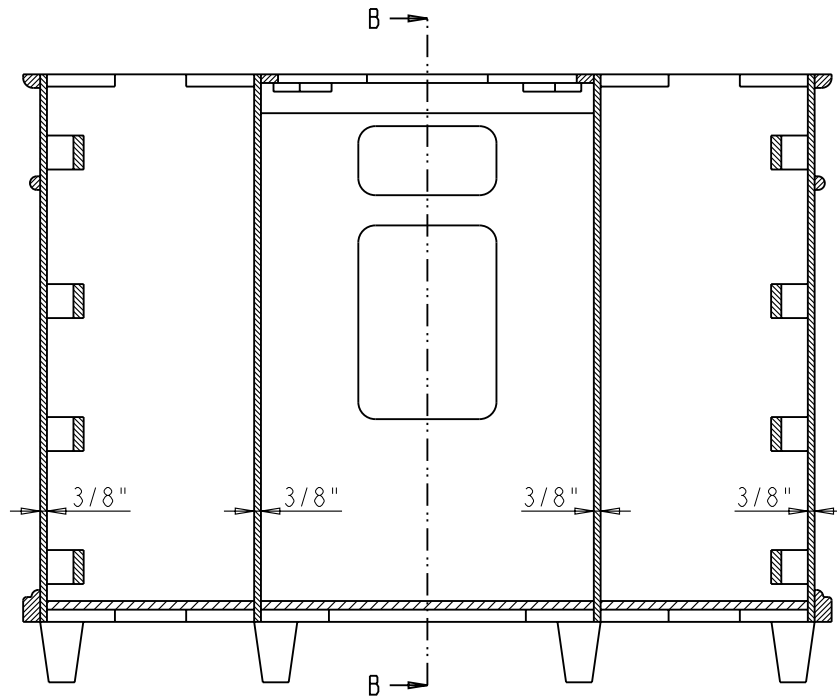


SIDE VIEW

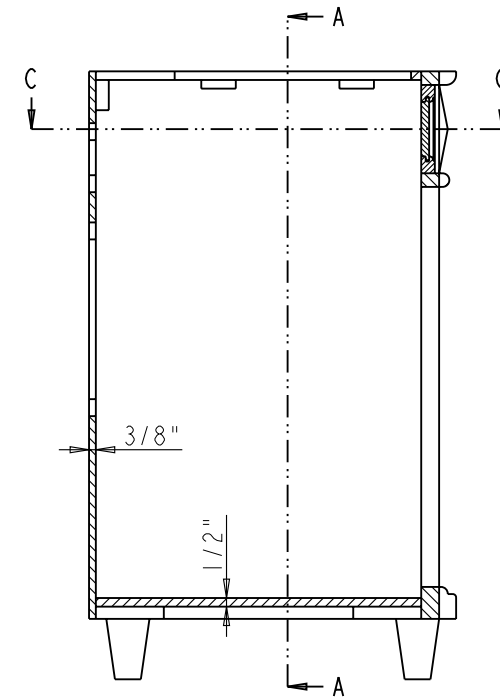


REAR VIEW

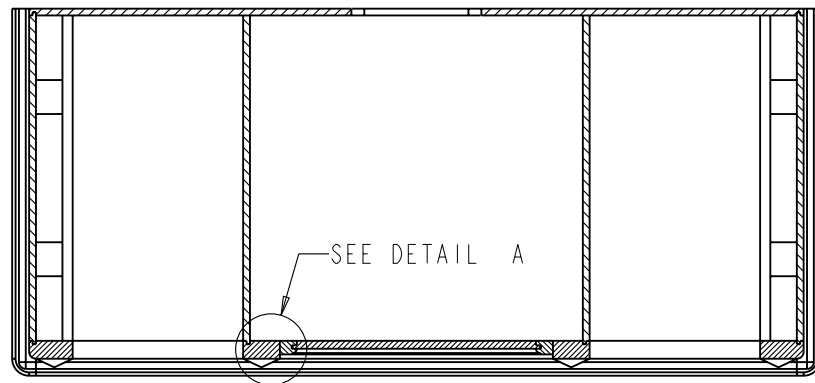
	ITEM: CABINET		MATERIAL:	
	FINISH:		WEIGHT: 9	
PROPRIETARY AND CONFIDENTIAL THE INFORMATION CONTAINED IN THIS DRAWING IS THE SOLE PROPERTY OF HARDWARE RESOURCES INC. ANY REPRODUCTION IN PART OR AS A WHOLE WITHOUT THE WRITTEN PERMISSION OF HARDWARE RESOURCES INC. IS PROHIBITED.	PROJECTION:		DATE:	
	UNIT:	DRAWN BY: <i>alan.liu</i>	DATE:	
	DO NOT SCALE DRAWING	CHECKED BY:	DATE:	
PAGE 05	APPROVED BY:	DATE:		



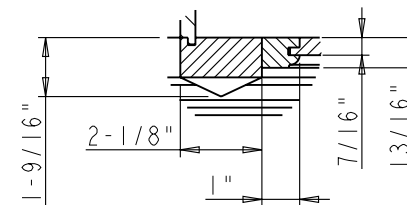
SECTION A-A



SECTION B-B

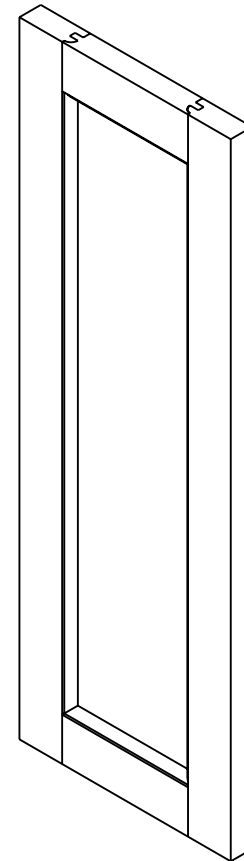
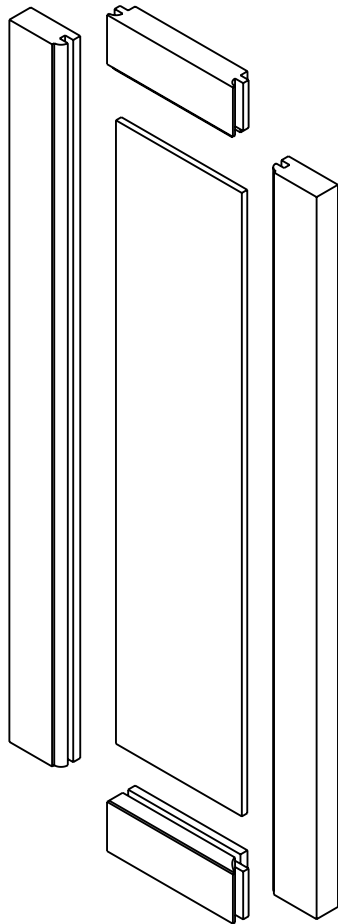


SECTION C-C



DETAIL A


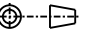
	ITEM: CABINET		MATERIAL:		
	FINISH:		WEIGHT: 9		
PROPRIETARY AND CONFIDENTIAL THE INFORMATION CONTAINED IN THIS DRAWING IS THE SOLE PROPERTY OF HARDWARE RESOURCES INC. ANY REPRODUCTION IN PART OR AS A WHOLE WITHOUT THE WRITTEN PERMISSION OF HARDWARE RESOURCES INC. IS PROHIBITED.	DO NOT SCALE DRAWING		PROJECTION:	DRAWN BY: <i>alan.liu</i>	DATE:
	UNIT:	CHECKED BY:	DATE:	DATE:	DATE:
	SIZE:	APPROVED BY:	DATE:	DATE:	DATE:
PAGE 06					

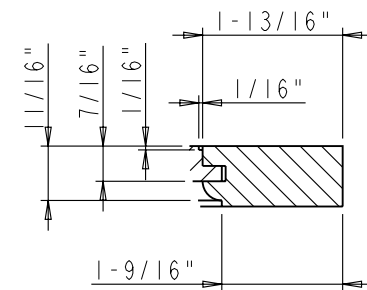
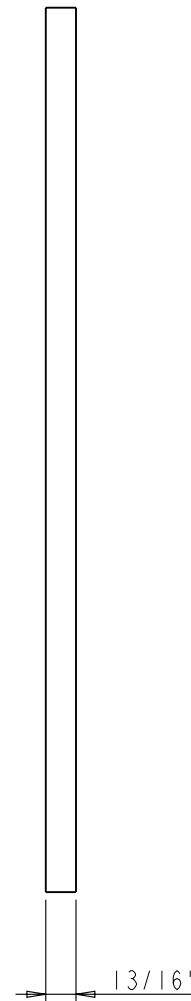
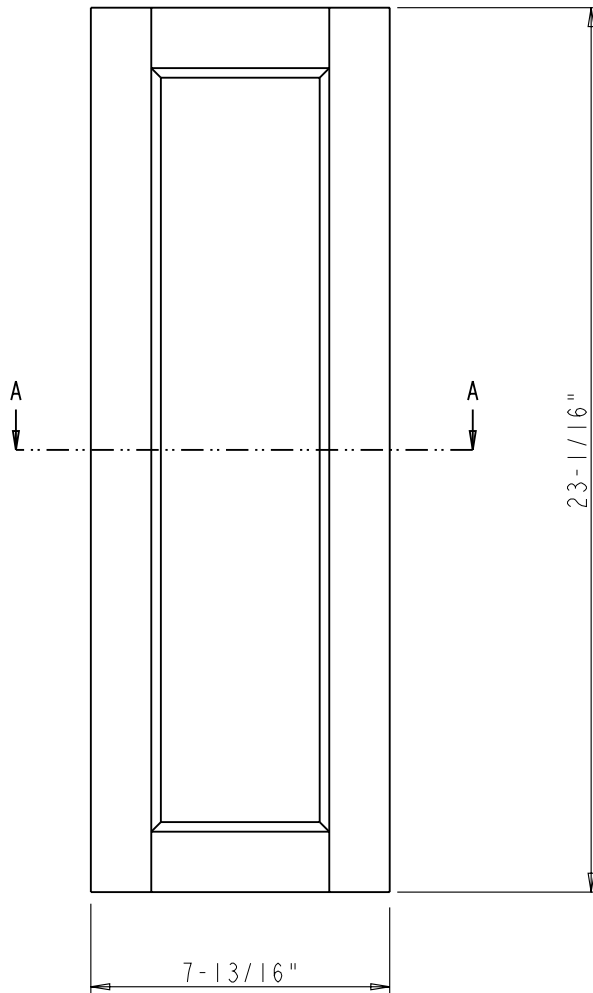


Specification:

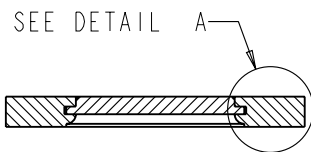
1. Material: MDF

2. Finish: BLK

 PROPRIETARY AND CONFIDENTIAL THE INFORMATION CONTAINED IN THIS DRAWING IS THE SOLE PROPERTY OF HARDWARE RESOURCES INC. ANY REPRODUCTION IN PART OR AS A WHOLE WITHOUT THE WRITTEN PERMISSION OF HARDWARE RESOURCES INC. IS PROHIBITED.	ITEM#: DOOR		MATERIAL:	
	FINISH:		WEIGHT:	
	DO NOT SCALE DRAWING		PROJECTION 	
UNITS:	DRAWN BY: <i>alan.liu</i>	DATE:		
SIZE:	APPROVED BY:	DATE:		
PAGE 07	RELEASE LEVEL:	REVISION:		

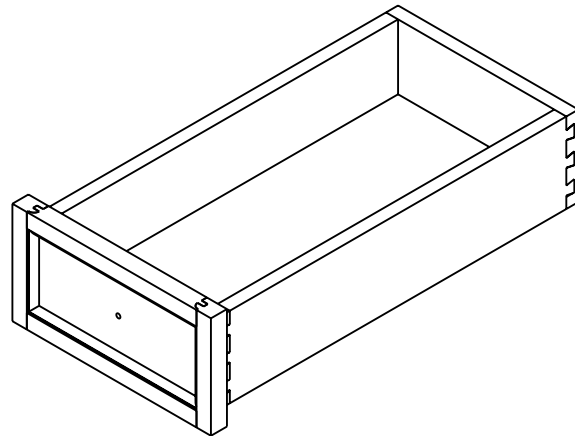
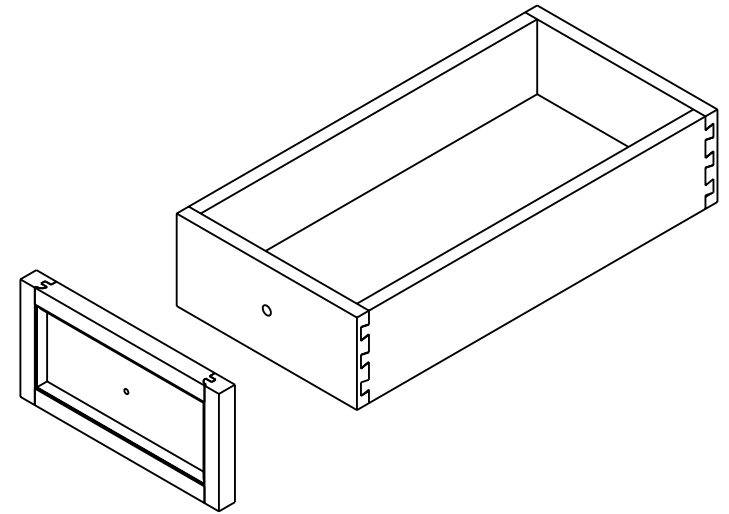
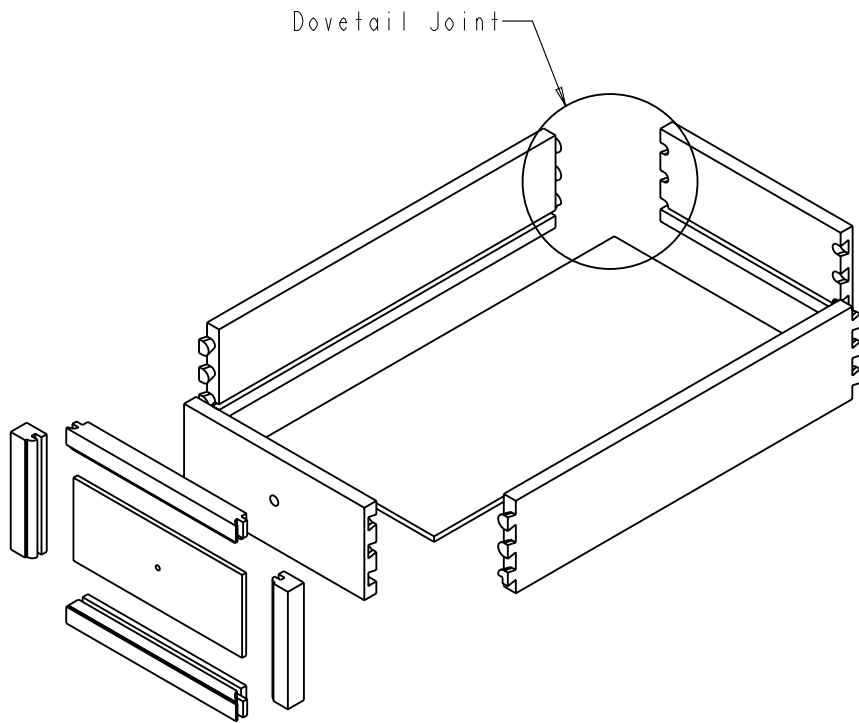


DETAIL A



SECTION A-A

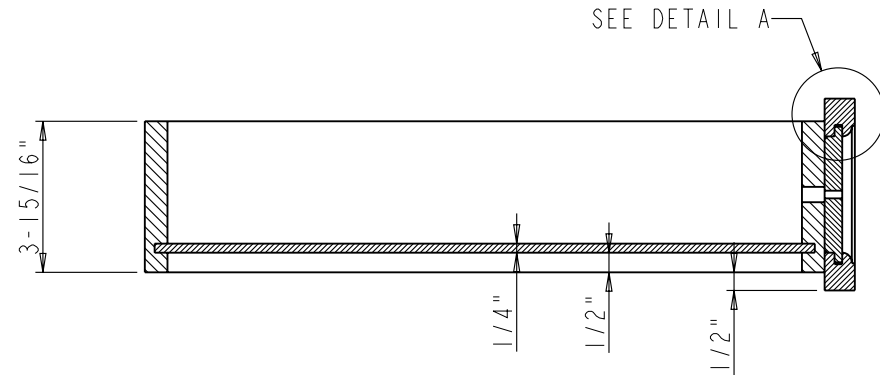
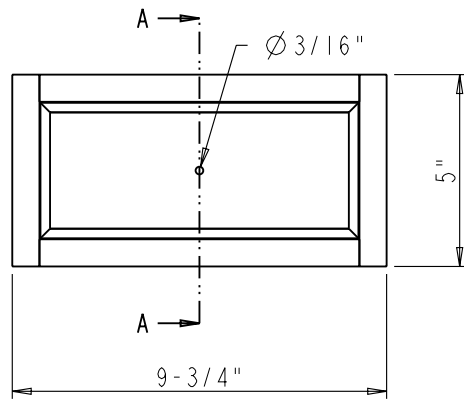
	ITEM#: DOOR		MATERIAL:	
	FINISH:		WEIGHT:	
<p>PROPRIETARY AND CONFIDENTIAL</p> <p>THE INFORMATION CONTAINED IN THIS DRAWING IS THE SOLE PROPERTY OF HARDWARE RESOURCES INC. ANY REPRODUCTION IN PART OR AS A WHOLE WITHOUT THE WRITTEN PERMISSION OF HARDWARE RESOURCES INC. IS PROHIBITED.</p>	UNITS:		DRAWN BY: <i>alan.liu</i>	
	DO NOT SCALE DRAWING		APPROVED BY:	
	PAGE 08		RELEASE LEVEL:	
		DATE:		9
		DATE:		PROJECTION
		DATE:		
		REVISION:		



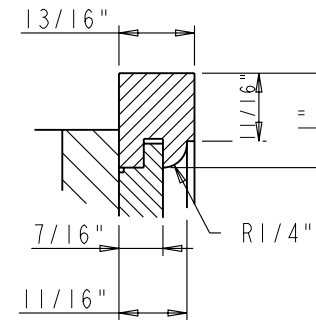
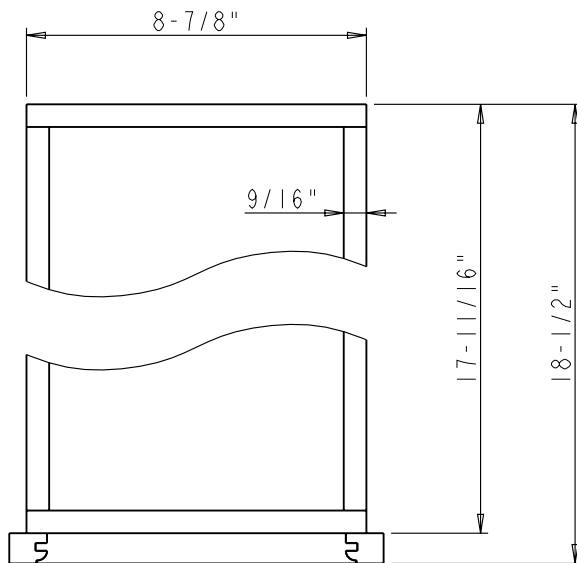
Specification:

- 1. Drawer Boxes: 5/8" Rubber wood
- Clear color
- Dovetail

	ITEM: DRAWER-TOP		MATERIAL:		
	FINISH:		WEIGHT: 9		
PROPRIETARY AND CONFIDENTIAL THE INFORMATION CONTAINED IN THIS DRAWING IS THE SOLE PROPERTY OF HARDWARE RESOURCES INC. ANY REPRODUCTION IN PART OR AS A WHOLE WITHOUT THE WRITTEN PERMISSION OF HARDWARE RESOURCES INC. IS PROHIBITED.	TOLERANCE UNLESS OTHERWISE SPECIFIED: X: MM ±0.20 XX: MM ±0.10 XXX: MM ±0.05 ANGULAR: ±0.5° DO NOT SCALE DRAWING		UNIT:	DRAWN BY: <i>alan.liu</i>	DATE:
	SIZE:	CHECKED BY:	DATE:		
	PAGE 09		APPROVED BY:	DATE:	
			PROJECTION:		

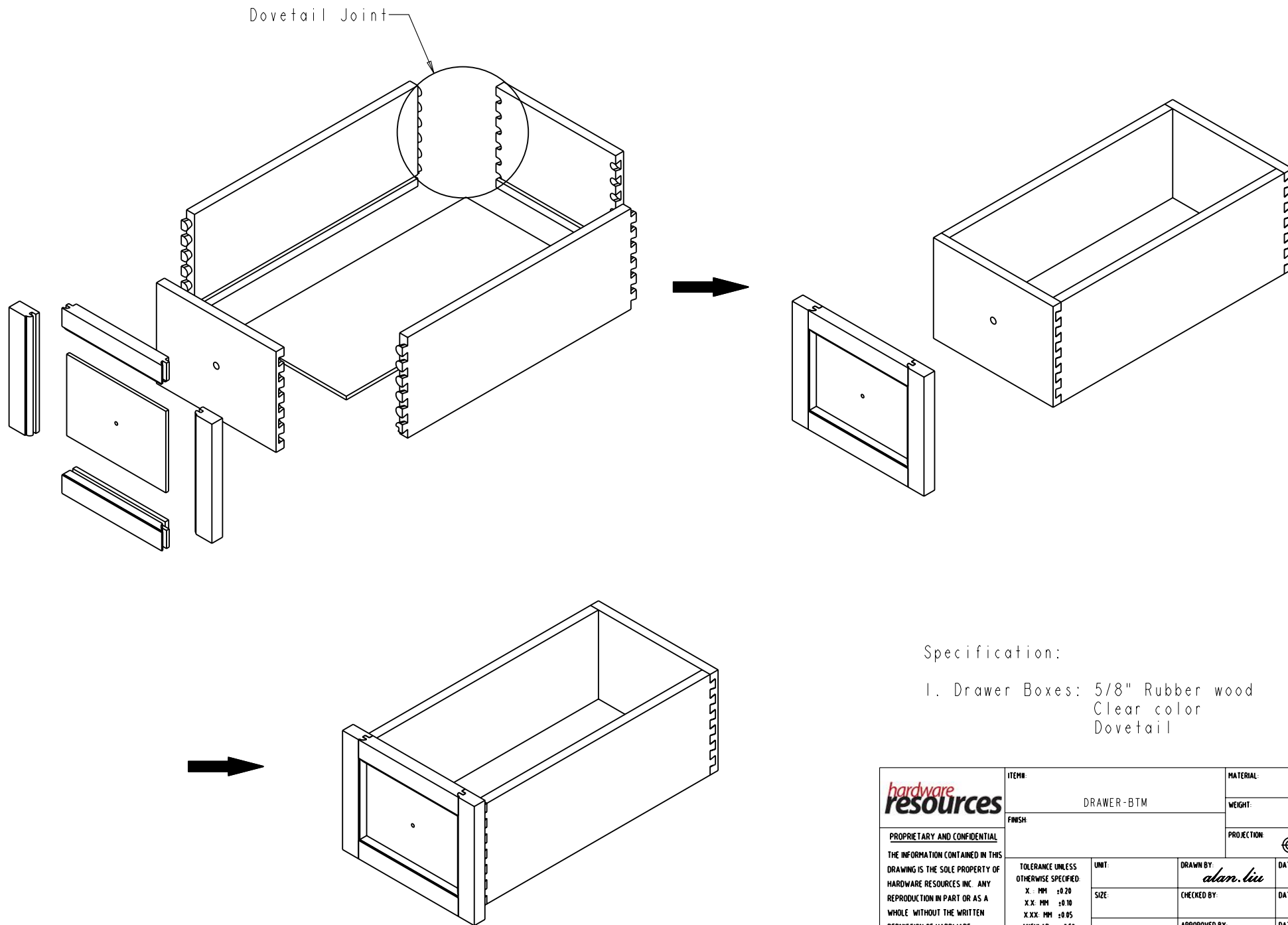


SECTION A-A



DETAIL A
SCALE 1:2

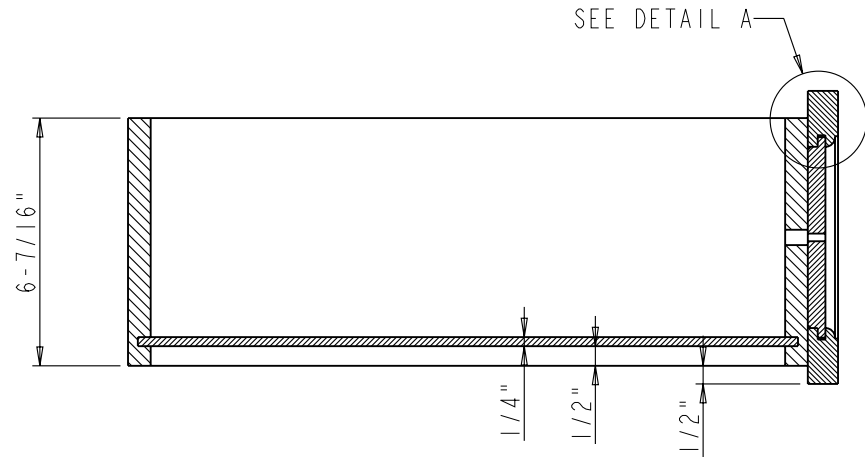
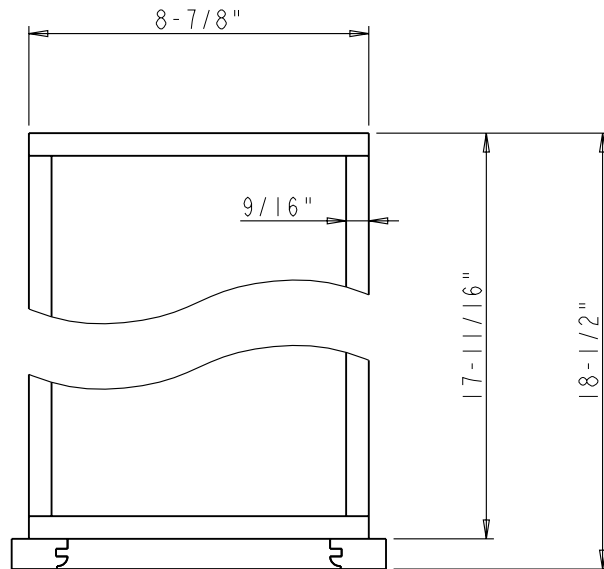
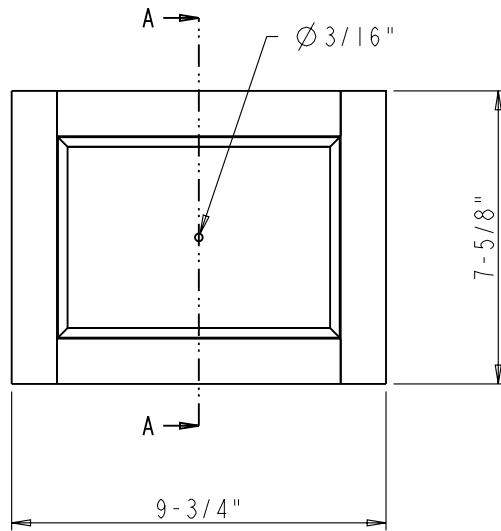
	ITEM: DRAWER-TOP		MATERIAL:		
	FINISH:		WEIGHT: 9		
PROPRIETARY AND CONFIDENTIAL THE INFORMATION CONTAINED IN THIS DRAWING IS THE SOLE PROPERTY OF HARDWARE RESOURCES INC. ANY REPRODUCTION IN PART OR AS A WHOLE WITHOUT THE WRITTEN PERMISSION OF HARDWARE RESOURCES INC. IS PROHIBITED.	TOLERANCE UNLESS OTHERWISE SPECIFIED: X: MM ±0.20 XX: MM ±0.10 XXX: MM ±0.05 ANGULAR: ±0.5° DO NOT SCALE DRAWING		UNIT:	DRAWN BY: <i>alan.liu</i>	DATE:
	SIZE:	CHECKED BY:	DATE:		
	PAGE 10	APPROVED BY:	DATE:		
PROJECTION:					



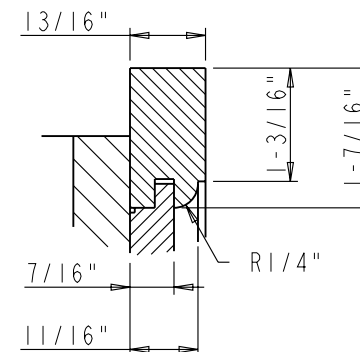
Specification:

- 1. Drawer Boxes: 5/8" Rubber wood
- Clear color
- Dovetail

	ITEM: DRAWER-BTM		MATERIAL:		
	FINISH:		WEIGHT: 9		
PROPRIETARY AND CONFIDENTIAL THE INFORMATION CONTAINED IN THIS DRAWING IS THE SOLE PROPERTY OF HARDWARE RESOURCES INC. ANY REPRODUCTION IN PART OR AS A WHOLE WITHOUT THE WRITTEN PERMISSION OF HARDWARE RESOURCES INC. IS PROHIBITED.	TOLERANCE UNLESS OTHERWISE SPECIFIED: X : MM ±0.20 X.X : MM ±0.10 X.XX : MM ±0.05 ANGULAR: ±0.5° DO NOT SCALE DRAWING		UNIT:	DRAWN BY: <i>alan.liu</i>	DATE:
	SIZE:	CHECKED BY:	DATE:		
	PAGE 11		APPROVED BY:	DATE:	

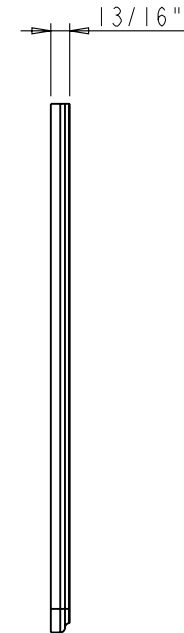
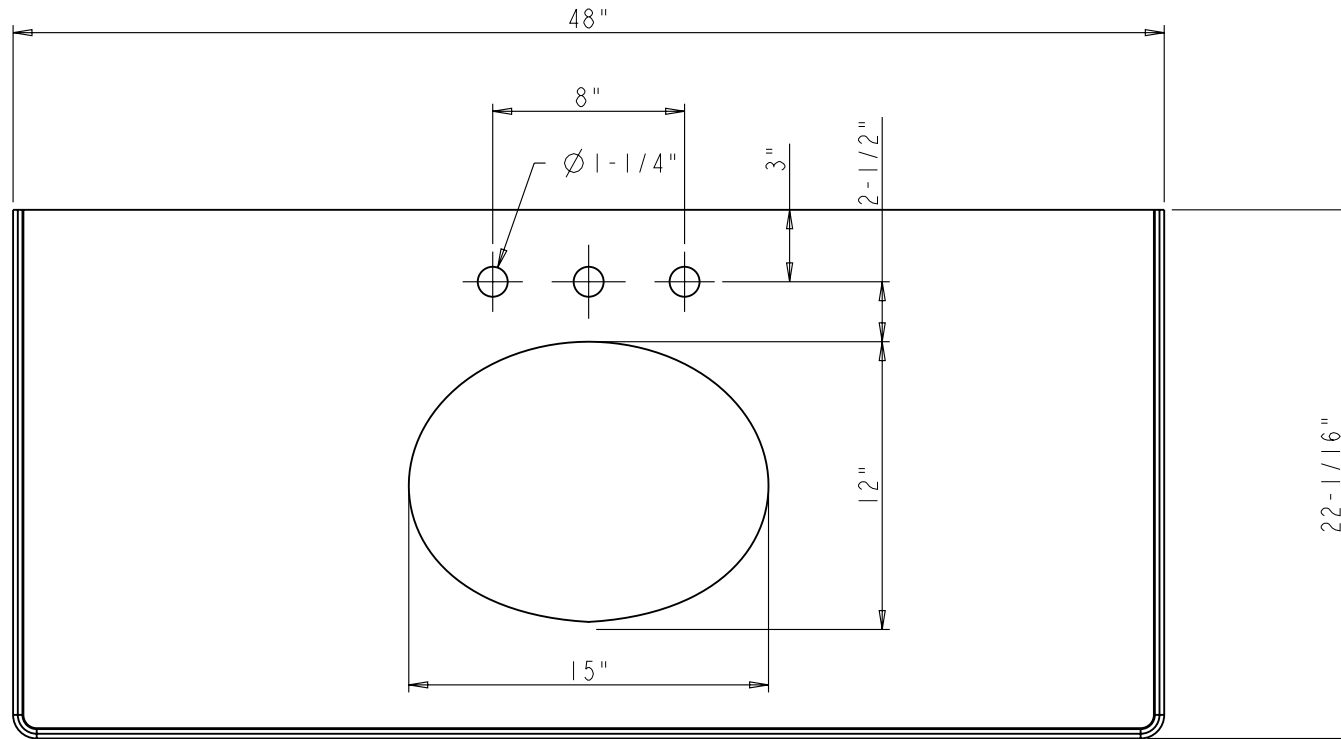


SECTION A-A

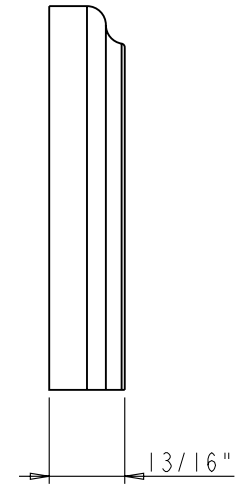
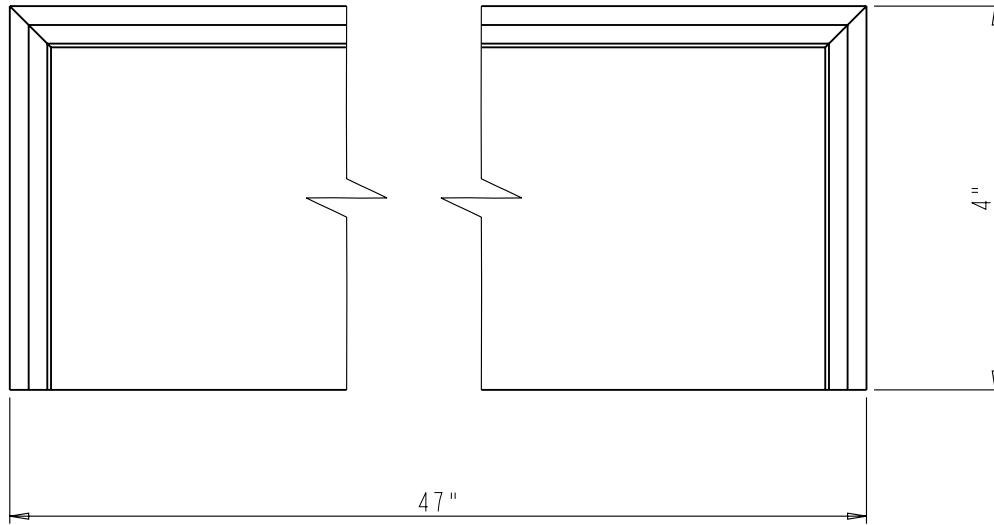



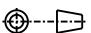
DETAIL A
SCALE 1:2

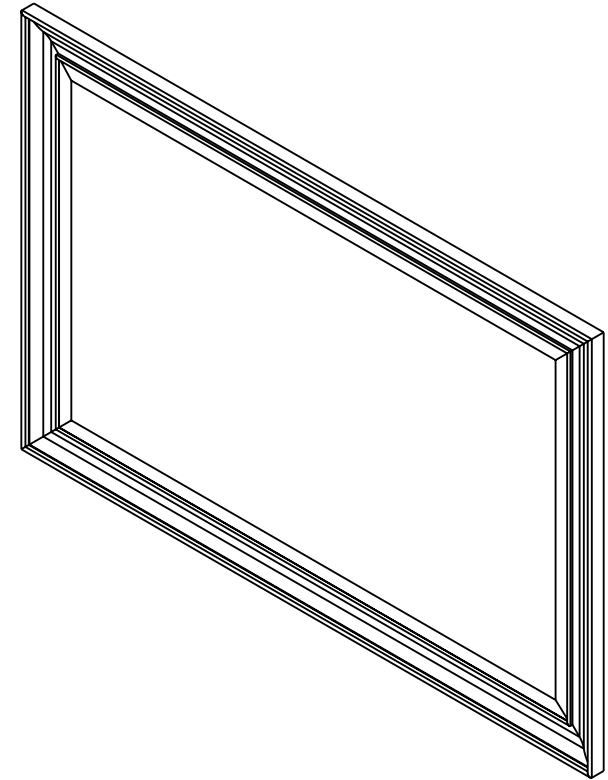
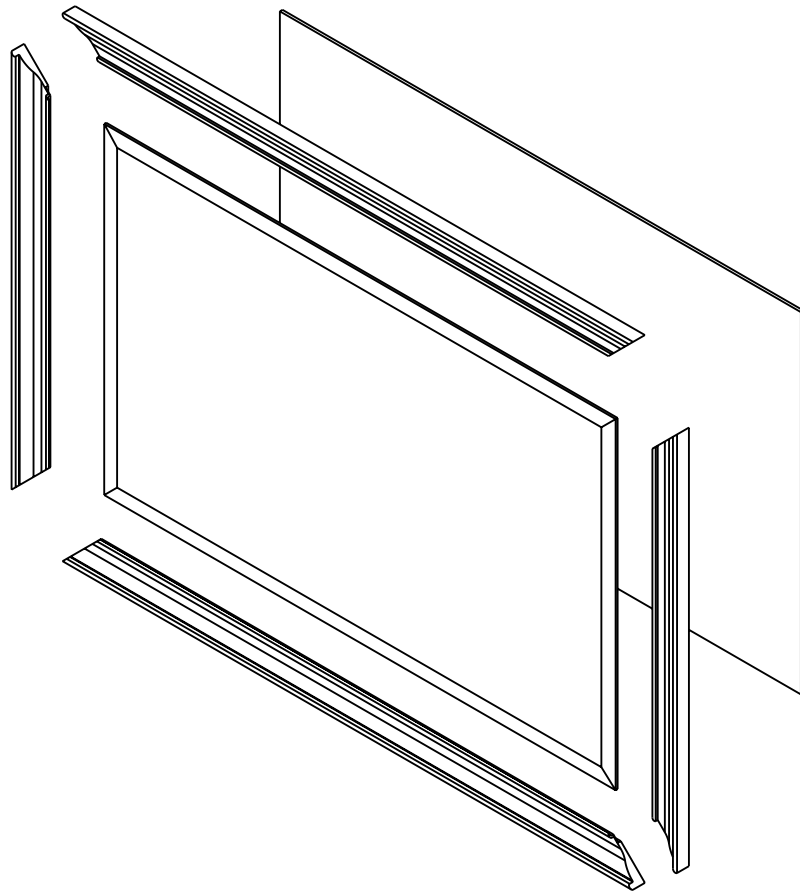
	ITEM: DRAWER-BTM		MATERIAL:	
	FINISH:		WEIGHT: 9	
PROPRIETARY AND CONFIDENTIAL THE INFORMATION CONTAINED IN THIS DRAWING IS THE SOLE PROPERTY OF HARDWARE RESOURCES INC. ANY REPRODUCTION IN PART OR AS A WHOLE WITHOUT THE WRITTEN PERMISSION OF HARDWARE RESOURCES INC. IS PROHIBITED.	TOLERANCE UNLESS OTHERWISE SPECIFIED: X : MM ±0.20 XX : MM ±0.10 XXX : MM ±0.05 ANGULAR: ±0.5° DO NOT SCALE DRAWING	UNIT:	DRAWN BY: <i>alan.liu</i>	DATE:
	SIZE:	CHECKED BY:	DATE:	
	PAGE 12	APPROVED BY:	DATE:	
		PROJECTION:		




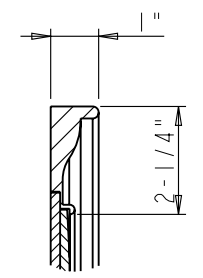
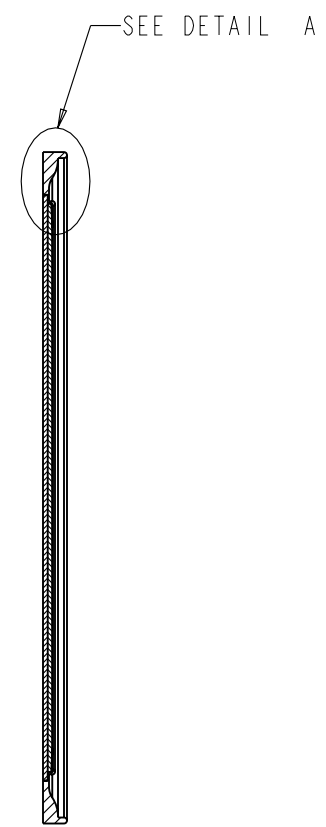
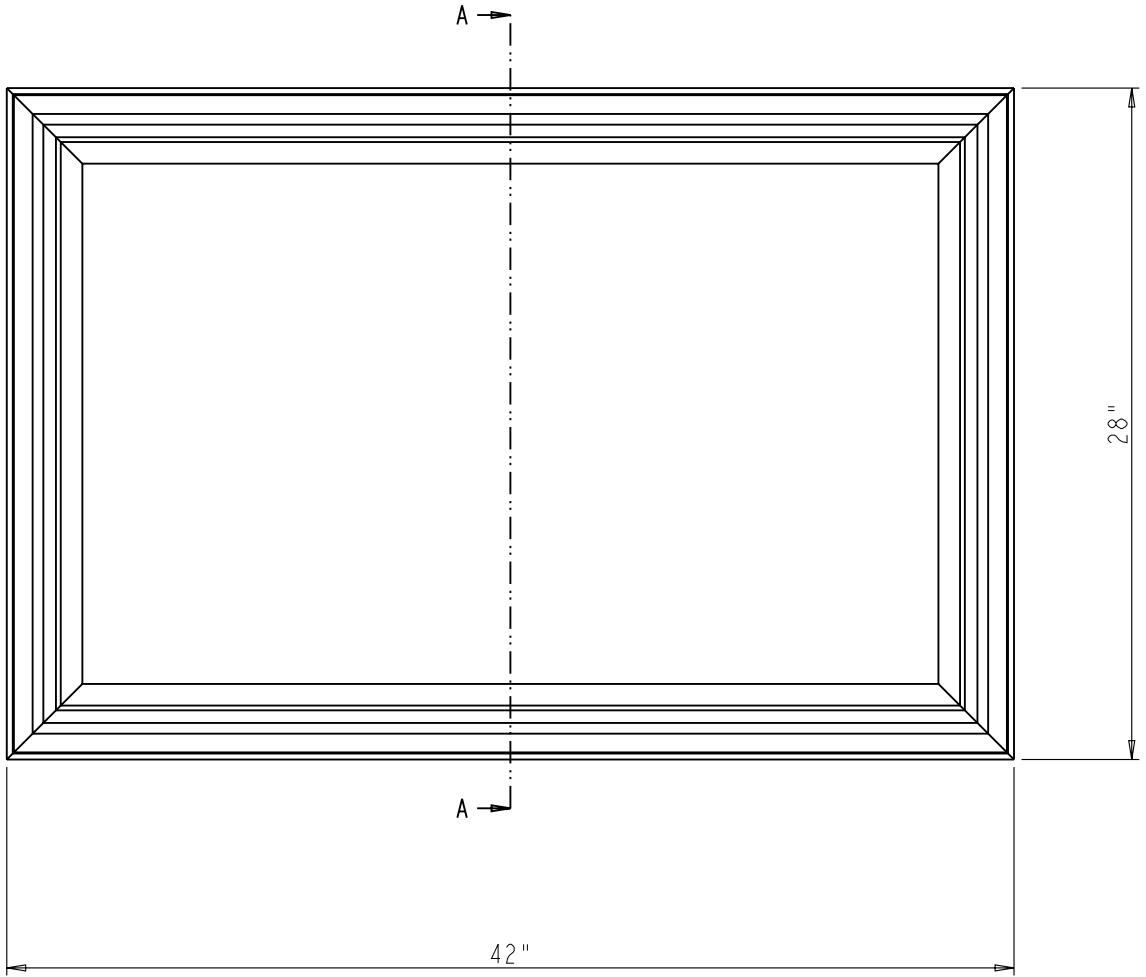
	ITEM#: TOP-BOARD		MATERIAL:	
	FINISH:		WEIGHT: 9	
<p>PROPRIETARY AND CONFIDENTIAL</p> <p>THE INFORMATION CONTAINED IN THIS DRAWING IS THE SOLE PROPERTY OF HARDWARE RESOURCES INC. ANY REPRODUCTION IN PART OR AS A WHOLE WITHOUT THE WRITTEN PERMISSION OF HARDWARE RESOURCES INC. IS PROHIBITED</p>	DO NOT SCALE DRAWING	UNIT:	DRAWN BY: <i>alan.liu</i>	DATE:
		SIZE:	CHECKED BY:	DATE:
		PAGE 13	APPROVED BY:	DATE:
			PROJECTION:	



	ITEM#: VSPLASH-47		MATERIAL:	
	FINISH:		WEIGHT: 9	
<p>PROPRIETARY AND CONFIDENTIAL</p> <p>THE INFORMATION CONTAINED IN THIS DRAWING IS THE SOLE PROPERTY OF HARDWARE RESOURCES INC. ANY REPRODUCTION IN PART OR AS A WHOLE WITHOUT THE WRITTEN PERMISSION OF HARDWARE RESOURCES INC. IS PROHIBITED.</p>	PROJECTION 		DATE:	
	UNITS:	DRAWN BY: <i>alan.liu</i>	DATE:	
	DO NOT SCALE DRAWING	APPROVED BY:	DATE:	
	SIZE: PAGE 14	RELEASE LEVEL:	REVISION:	



	ITEM#: MI R057-48		MATERIAL:		
	FINISH:		WEIGHT: 9		
<p>PROPRIETARY AND CONFIDENTIAL</p> <p>THE INFORMATION CONTAINED IN THIS DRAWING IS THE SOLE PROPERTY OF HARDWARE RESOURCES INC. ANY REPRODUCTION IN PART OR AS A WHOLE WITHOUT THE WRITTEN PERMISSION OF HARDWARE RESOURCES INC. IS PROHIBITED</p>	DO NOT SCALE DRAWING	UNIT:	DRAWN BY: <i>alan.liu</i>	DATE:	
		SIZE:	CHECKED BY:	DATE:	
		PAGE 15		APPROVED BY:	DATE:



DETAIL A
SCALE 1:4

SECTION A-A

	ITEM: MI R057-48		MATERIAL:	
	FINISH:		WEIGHT: 9	
PROPRIETARY AND CONFIDENTIAL THE INFORMATION CONTAINED IN THIS DRAWING IS THE SOLE PROPERTY OF HARDWARE RESOURCES INC. ANY REPRODUCTION IN PART OR AS A WHOLE WITHOUT THE WRITTEN PERMISSION OF HARDWARE RESOURCES INC. IS PROHIBITED.	UNIT:		DRAWN BY: <i>alan.liu</i>	
	DO NOT SCALE DRAWING		CHECKED BY:	
	PAGE 16		APPROVED BY:	
		DATE:		DATE:
		DATE:		DATE:
		DATE:		DATE:
		DATE:		DATE: