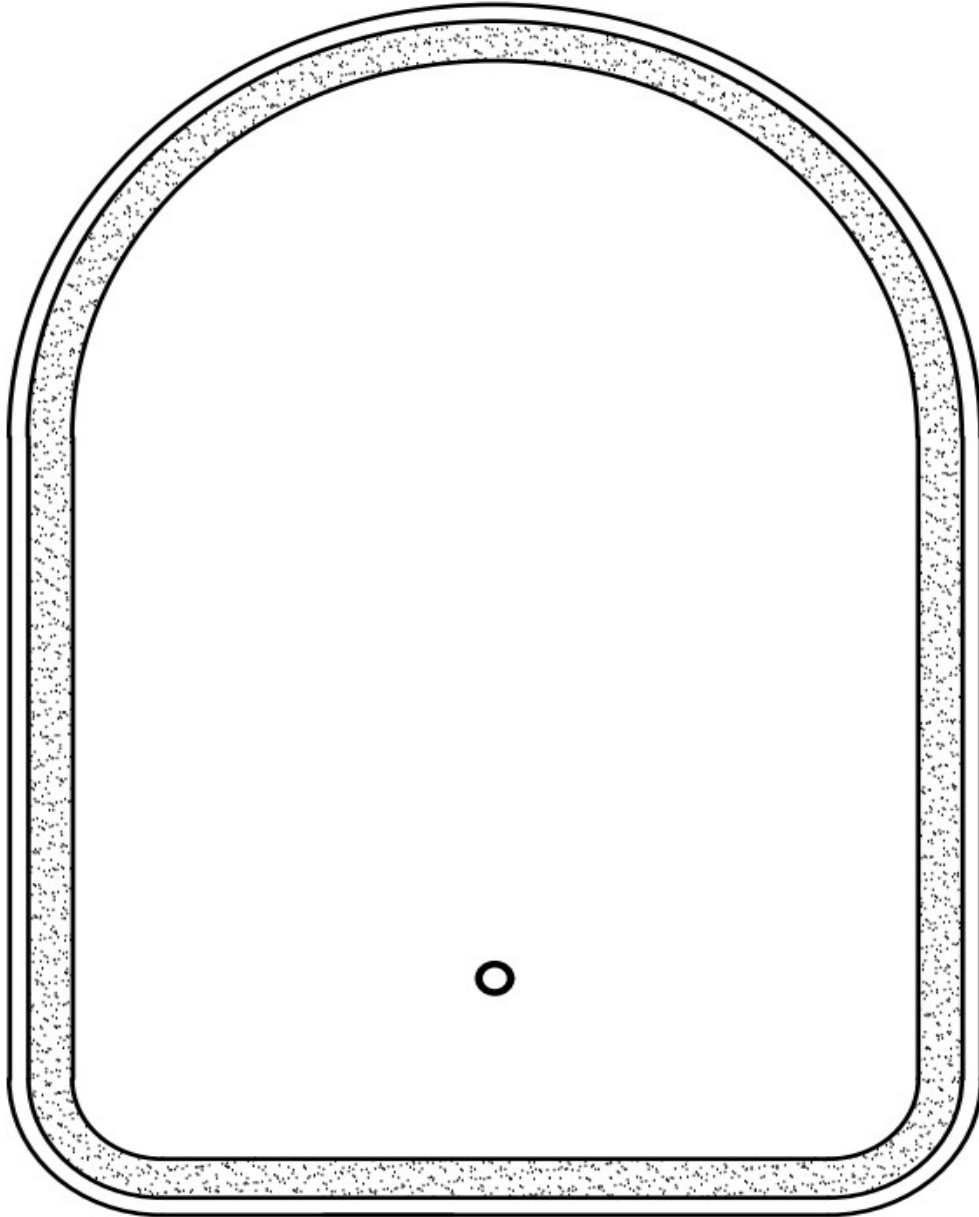




USER GUIDE- LED LIGHTED MIRROR

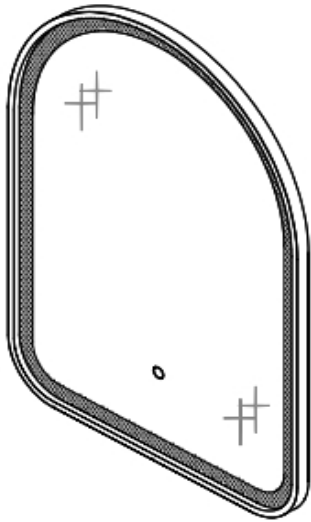


IF IN DOUBT ABOUT FITTING THIS PRODUCT, PLEASE CONSULT A QUALIFIED ELECTRICIAN

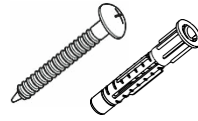
IMPORTANT

PLEASE READ THE INSTRUCTIONS BEFORE SET UP AND INSTALLATION

COMPONENT PARTS AND FITTINGS



Mirror



Screw & Wall plug
(Included in pack)



Bracket * 1
(Included in pack)

Suggested Tools:
(not provided)



Screw driver



Drill

Note: The quantities of screws and wall plugs can be found in the installation dimension table.

Safety Warning

Safety:

- We suggest you spend a short time reading the instruction leaflet.
- Carefully check that you have all the parts before beginning assembly.
- Keep small parts and fittings out of children's reach and keep children well away from construction area, as the unassembled product contains small parts, which could present a choking hazard.
- We suggest you retain these instructions for future reference.
- This appliance can be used by adults ONLY.
- If the supply cord is damaged, it must be replaced by the manufacturer, its service agent or similarly qualified persons in order to avoid a hazard.

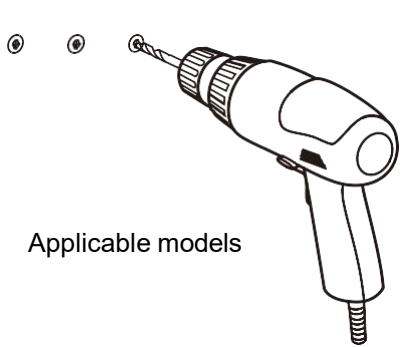
Caution:

- In order to avoid overheating, do not cover the mirror.
- Switch off the mains supply and remove the appropriate fuse or switch off the appropriate circuit breaker before commencing installation.
- Make sure that there is no danger that the cord or extension cord is inadvertently be pulled or cause anyone to trip when in use.

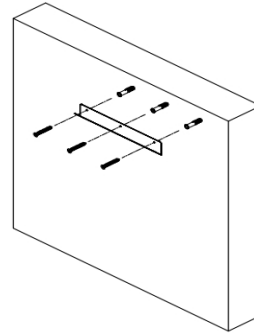
Assembly/User Instruction

Please read all instructions carefully. Before you proceed to install, make sure that the power supply is turned off and remains off until installation is complete.

Please note that each part has been assigned a number and proceed in a numerical order.

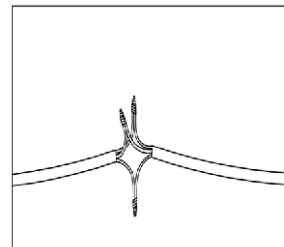
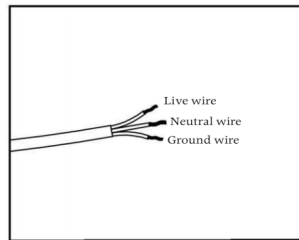


STEP1. Mark the position of the hanging screw.



STEP2. Fix the screw.

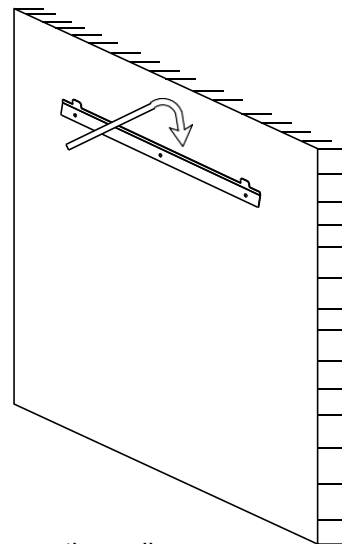
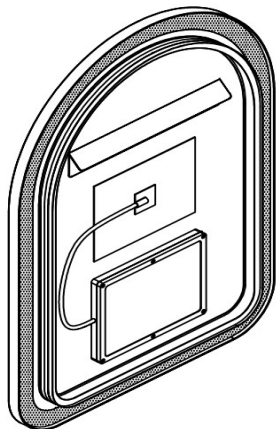
Live wire = White wire
Neutral wire = Black wire
Ground wire = Green wire



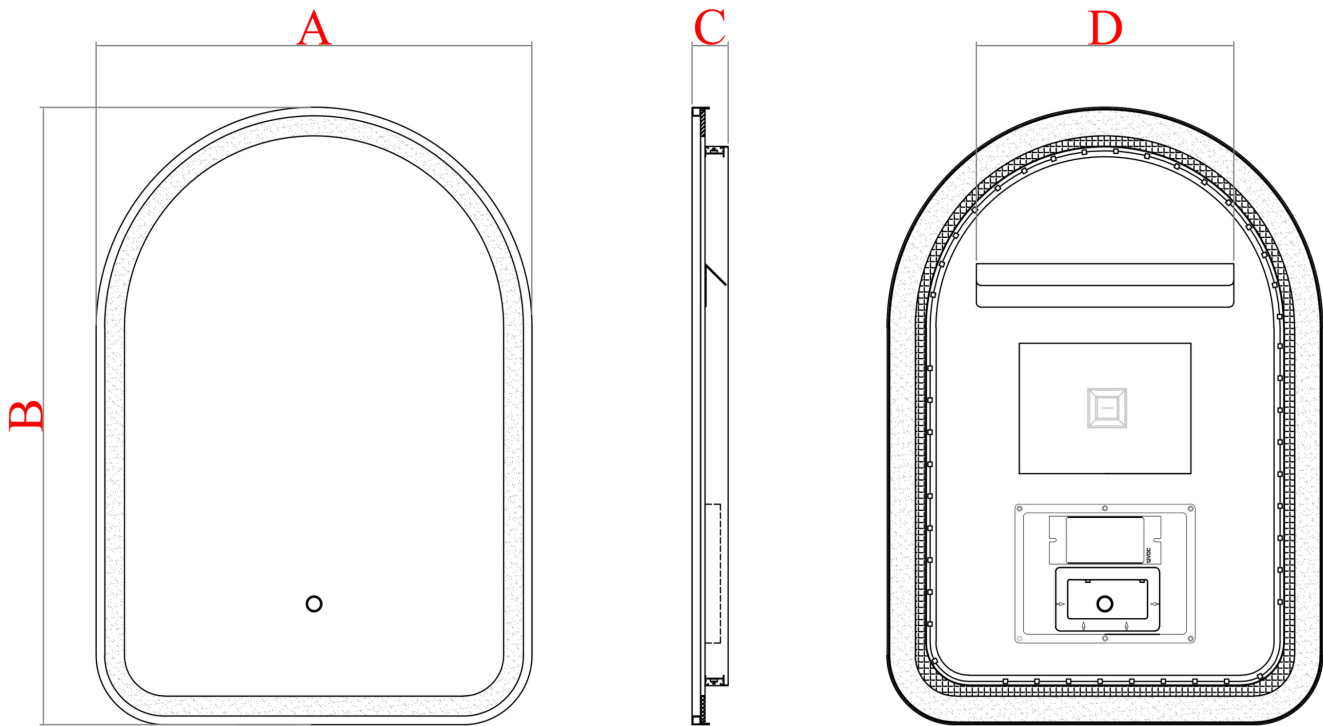
Note:

- White supply wire connect to white fixture wire
- Black supply wire connect to black fixture wire
- Bare or green ground wire from supply connect to green fixture ground wire

STEP3. Connect to the main supply



STEP4. Hang up the Mirror on the wall



Button

- Single click→ Turn on the light strip and defogger simultaneously.
- Within 5 seconds after turning on, click again to cycle through color temperatures (sequence: Warm White →White→ Yellow).
- If clicked after more than 5 seconds from turning on → Power off.
- After 60 minutes of no operation, the defogger will turn off automatically while the light strip remains on; click again to turn off the light strip.
- When the light strip is on, long press the button to achieve stepless brightness adjustment (one operation per adjustment).
- After power-off or manual shutdown, the system will restore the previous color temperature and brightness upon restart.
- In standby mode, long press for 3 seconds to completely turn off the indicator light.

Installation Dimensions:

MODEL	A (inch)	B (inch)	C (inch)	D (inch)	Screw and wall plug QTY	Color temperature	LED length (inch)	Drive Wattage	Initial Lumens	Delivered Lumens
MRE6D2028	20	28	1.65	12	2	3000K+4500K+6000K	71	24	1700	1020
MRE6D2032	20	32	1.65	12	2	3000K+4500K+6000K	79	24	1900	1140
MRE6D2230	22	30	1.65	12	2	3000K+4500K+6000K	79	24	1900	1140
MRE6D2236	22	36	1.65	12	2	3000K+4500K+6000K	91	24	2200	1320
MRE6D2430	24	30	1.65	12	2	3000K+4500K+6000K	83	24	2000	1200
MRE6D2436	24	36	1.65	12	2	3000K+4500K+6000K	94	24	2300	1380
MRE6D2440	24	40	1.65	16	3	3000K+4500K+6000K	102	36	2500	1500
MRE6D2736	27	36	1.65	18	3	3000K+4500K+6000K	98	36	2400	1440
MRE6D2740	27	40	1.65	18	3	3000K+4500K+6000K	106	36	2600	1560
MRE6D2872	28	72	1.65	20	3	3000K+4500K+6000K	173	48	4200	2520
MRE6D3030	30	30	1.65	16	3	3000K+4500K+6000K	91	24	2200	1320
MRE6D3032	30	32	1.65	16	3	3000K+4500K+6000K	94	24	2300	1380
MRE6D3036	30	36	1.65	16	3	3000K+4500K+6000K	102	36	2500	1500
MRE6D3040	30	40	1.65	18	3	3000K+4500K+6000K	110	36	2700	1620
MRE6D3336	33	36	1.65	20	3	3000K+4500K+6000K	106	36	2600	1560
MRE6D3342	33	42	1.65	20	3	3000K+4500K+6000K	118	36	2900	1740
MRE6D3636	36	36	1.65	20	3	3000K+4500K+6000K	114	36	2700	1620
MRE6D3642	36	42	1.65	20	3	3000K+4500K+6000K	126	36	3000	1800

