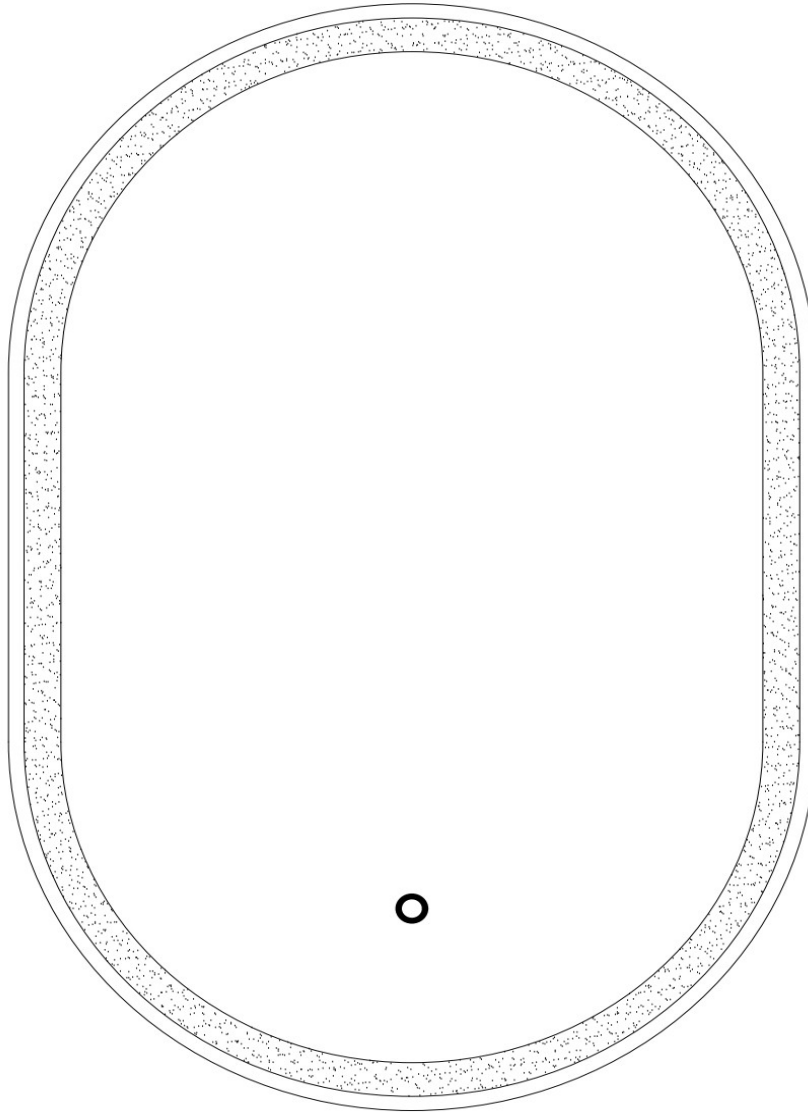




## USER GUIDE- LED LIGHTED MIRROR

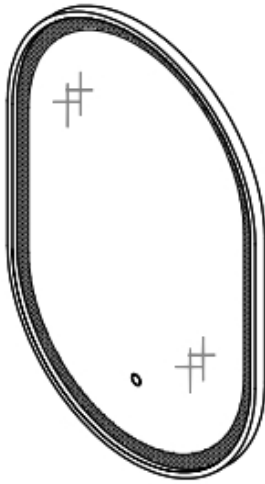


IF IN DOUBT ABOUT FITTING THIS PRODUCT, PLEASE CONSULT A QUALIFIED ELECTRICIAN

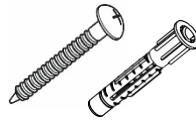
## **IMPORTANT**

PLEASE READ THE INSTRUCTIONS BEFORE SET UP AND INSTALLATION

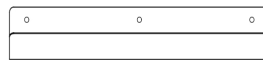
### COMPONENT PARTS AND FITTINGS



Mirror



Screw & Wall plug  
(Included in pack)



Bracket \* 1  
(Included in pack)

**Suggested Tools:**  
(not provided)



Screw driver



Drill

**Note:** The quantities of screws, wall plugs can be found in the installation dimension table.

## Safety Warning

### Safety:

- We suggest you spend a short time reading the instruction leaflet.
- Carefully check that you have all the parts before beginning assembly.
- Keep small parts and fittings out of children's reach and keep children well away from construction area, as the unassembled product contains small parts, which could present a choking hazard.
- We suggest you retain these instructions for future reference.
- This appliance can be used by adults ONLY.
- If the supply cord is damaged, it must be replaced by the manufacturer, its service agent or similarly qualified persons in order to avoid a hazard.

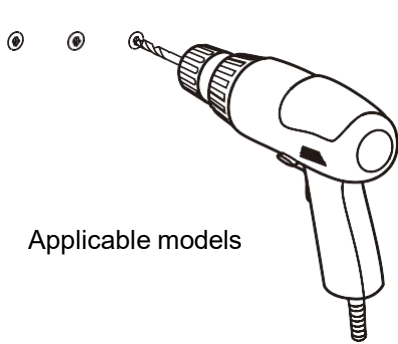
### Caution:

- In order to avoid overheating, do not cover the mirror.
- Switch off the mains supply and remove the appropriate fuse or switch off the appropriate circuit breaker before commencing installation.
- Make sure that there is no danger that the cord or extension cord is inadvertently be pulled or cause anyone to trip when in use.

# Assembly/User Instruction

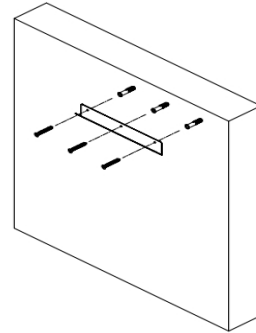
Please read all instructions carefully. Before you proceed to install, make sure that the power supply is turned off and remains off until installation is complete.

Please note that each part has been assigned a number and proceed in a numerical order.



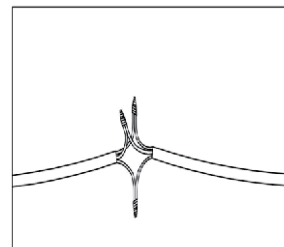
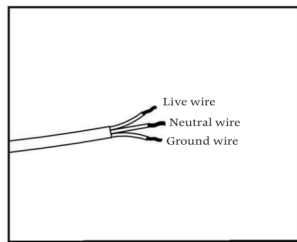
Applicable models

STEP1. Mark the position of the hanging screw.



STEP2. Fix the screw.

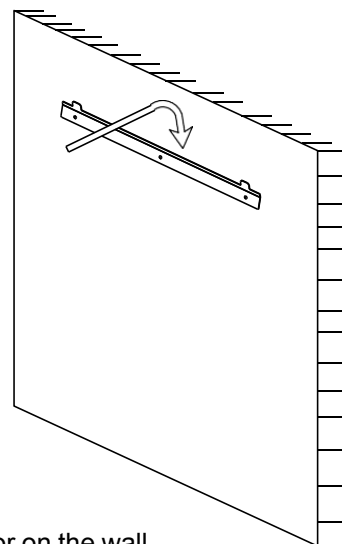
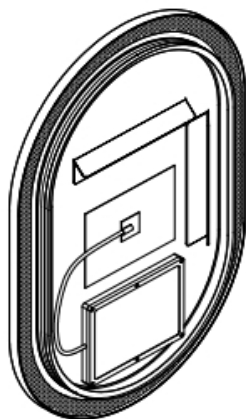
Live wire = White wire  
Neutral wire = Black wire  
Ground wire = Green wire



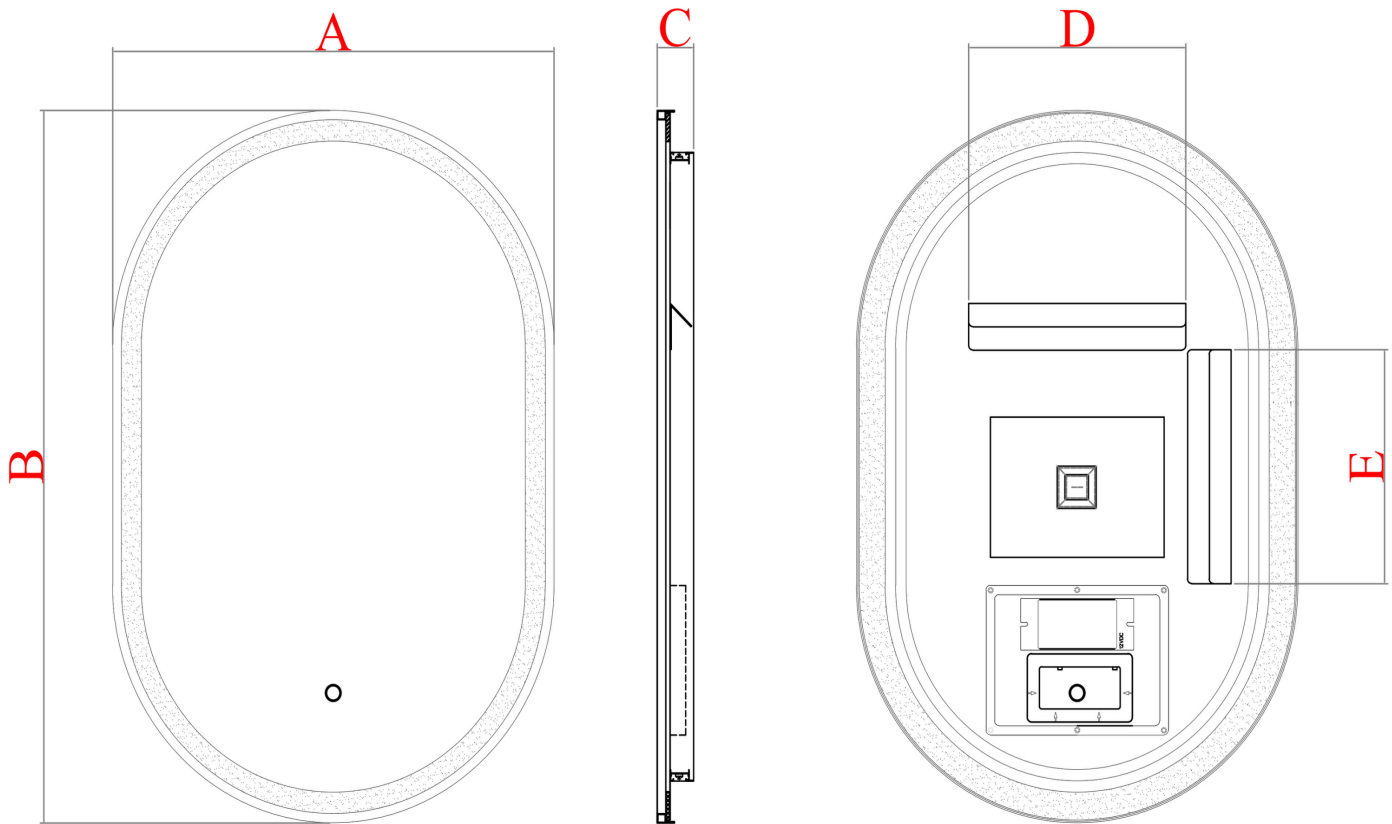
Note:

- White supply wire connect to white fixture wire
- Black supply wire connect to black fixture wire
- Bare or green ground wire from supply connect to green fixture ground wire

STEP3. Connect to the main supply



STEP4. Hang up the Mirror on the wall



## Button

- Single click→ Turn on the light strip and defogger simultaneously.
- Within 5 seconds after turning on, click again to cycle through color temperatures (sequence: Warm White →White→ Yellow ).
- If clicked after more than 5 seconds from turning on → Power off.
- After 60 minutes of no operation, the defogger will turn off automatically while the light strip remains on; click again to turn off the light strip.
- When the light strip is on, long press the button to achieve stepless brightness adjustment (one operation per adjustment).
- After power-off or manual shutdown, the system will restore the previous color temperature and brightness upon restart.
- In standby mode, long press for 3 seconds to completely turn off the indicator light.

## Installation Dimensions:

MODEL	A (inch)	B (inch)	C (inch)	D (inch)	E (inch)	Screw and wall plug QTY	Color temperature	LED length (inch)	Drive Wattage	Initial Lumens	Delivered Lumens
MRE6C2030	20	30	1.65	10	10	2	3000K+4500K+6000K	71	24	1700	1020
MRE6C2036	20	36	1.65	12	12	2	3000K+4500K+6000K	83	24	2000	1200
MRE6C2436	24	36	1.65	12	12	2	3000K+4500K+6000K	87	24	2100	1260
MRE6C2440	24	40	1.65	14	14	3	3000K+4500K+6000K	94	24	2300	1380
MRE6C2448	24	48	1.65	14	14	3	3000K+4500K+6000K	110	36	2700	1620
MRE6C2740	27	40	1.65	14	14	3	3000K+4500K+6000K	110	36	2400	1440
MRE6C3040	30	40	1.65	16	16	3	3000K+4500K+6000K	102	36	2500	1500

