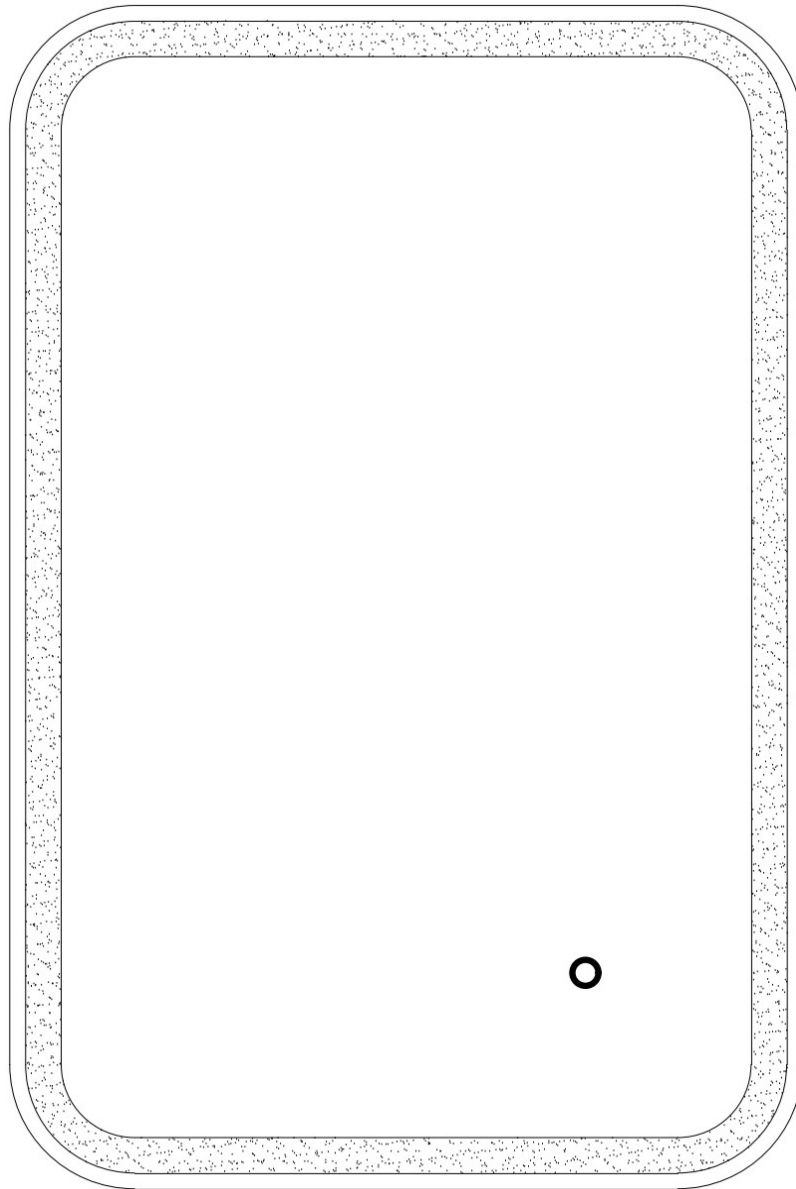




## USER GUIDE- LED LIGHTED MIRROR

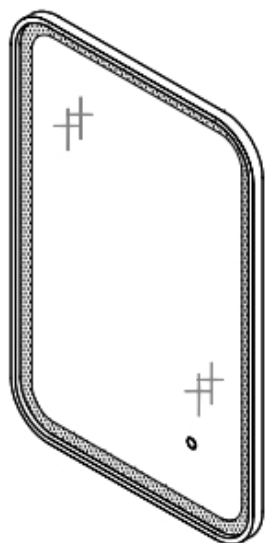


IF IN DOUBT ABOUT FITTING THIS PRODUCT, PLEASE CONSULT A QUALIFIED ELECTRICIAN

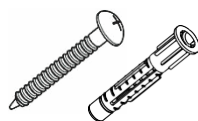
## **IMPORTANT**

PLEASE READ THE INSTRUCTIONS BEFORE SET UP AND INSTALLATION

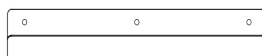
### COMPONENT PARTS AND FITTINGS



**Mirror**



**Screw & Wall plug**  
(Included in pack)



**Bracket**  
(Included in pack)

**Suggested Tools:**  
(not provided)



**Screw driver**



**Drill**

**Note:** The quantities of screws, wall plugs and brackets can be found in the installation dimension table.

## Safety Warning

### Safety:

- We suggest you spend a short time reading the instruction leaflet.
- Carefully check that you have all the parts before beginning assembly.
- Keep small parts and fittings out of children's reach and keep children well away from construction area, as the unassembled product contains small parts, which could present a choking hazard.
- We suggest you retain these instructions for future reference.
- This appliance can be used by adults ONLY.
- If the supply cord is damaged, it must be replaced by the manufacturer, its service agent or similarly qualified persons in order to avoid a hazard.

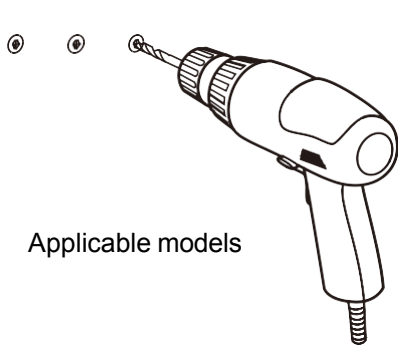
### Caution:

- In order to avoid overheating, do not cover the mirror.
- Switch off the mains supply and remove the appropriate fuse or switch off the appropriate circuit breaker before commencing installation.
- Make sure that there is no danger that the cord or extension cord is inadvertently be pulled or cause anyone to trip when in use.

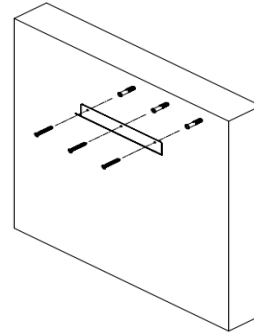
# Assembly/User Instruction

Please read all instructions carefully. Before you proceed to install, make sure that the power supply is turned off and remains off until installation is complete.

Please note that each part has been assigned a number and proceed in a numerical order.

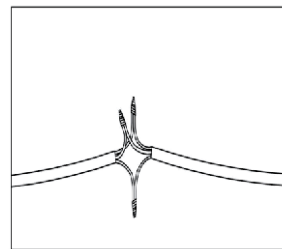
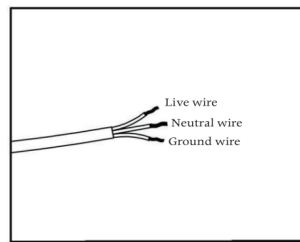


STEP1. Mark the position of the hanging screw.



STEP2. Fix the screw.

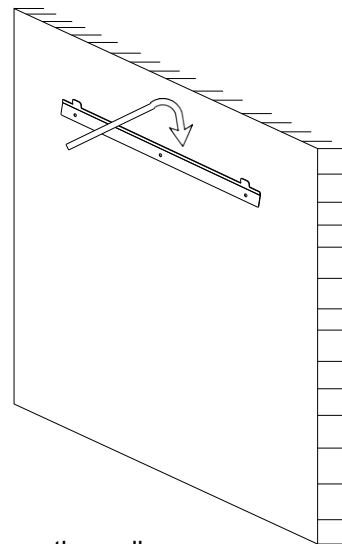
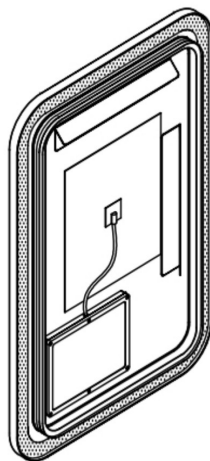
Live wire = White wire  
Neutral wire = Black wire  
Ground wire = Green wire



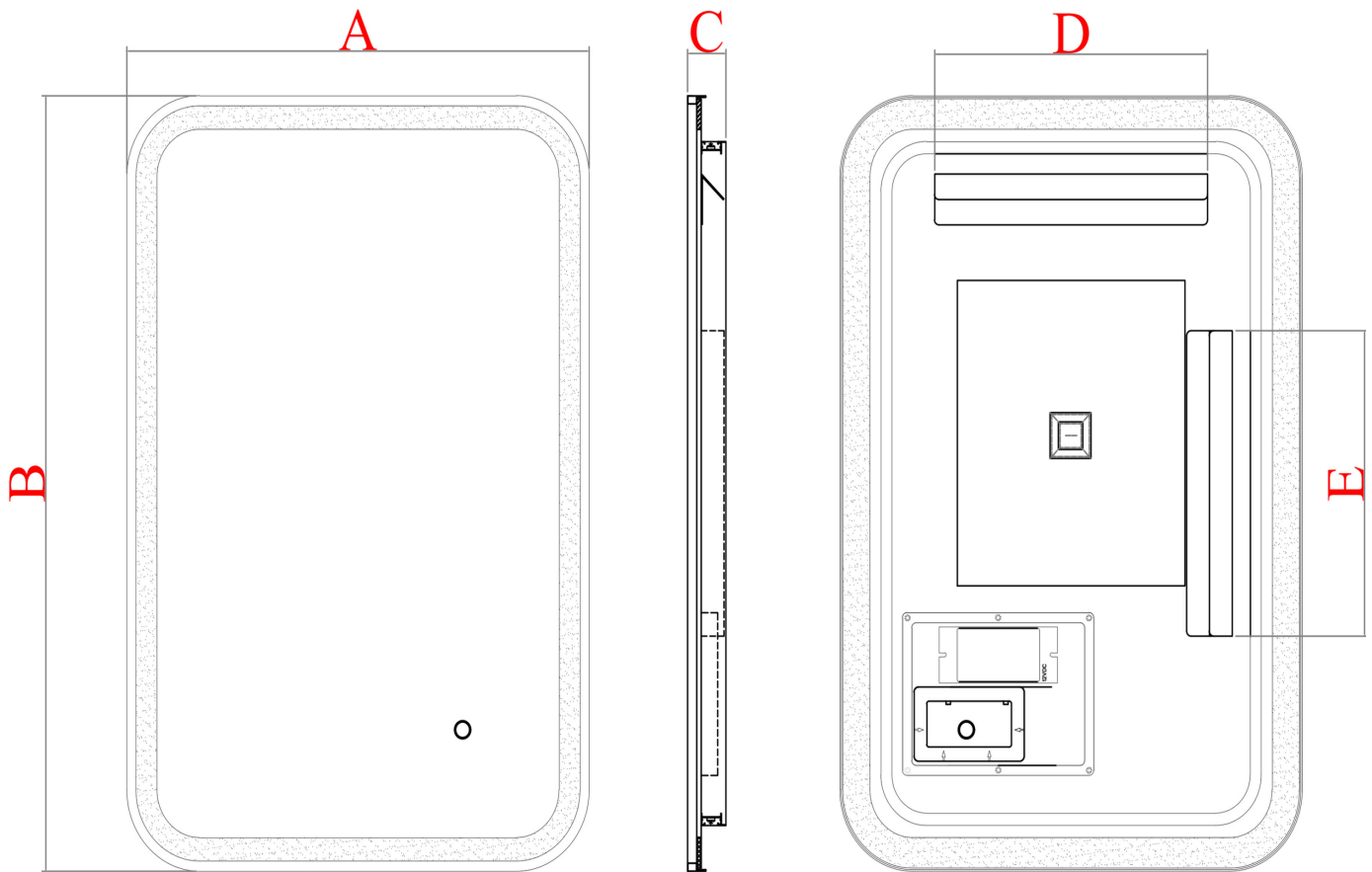
Note:

- White supply wire connect to white fixture wire
- Black supply wire connect to black fixture wire
- Bare or green ground wire from supply connect to green fixture ground wire

STEP3. Connect to the main supply



STEP4. Hang up the Mirror on the wall



## Button

- Single click → Turn on the light strip and defogger simultaneously.
- Within 5 seconds after turning on, click again to cycle through color temperatures (sequence: Warm White → White → Yellow ).
- If clicked after more than 5 seconds from turning on → Power off.
- After 60 minutes of no operation, the defogger will turn off automatically while the light strip remains on; click again to turn off the light strip.
- When the light strip is on, long press the button to achieve stepless brightness adjustment (one operation per adjustment).
- After power-off or manual shutdown, the system will restore the previous color temperature and brightness upon restart.
- In standby mode, long press for 3 seconds to completely turn off the indicator light.

## Installation Dimensions:

Model Number	A (inch)	B (inch)	C (inch)	D (inch)	E (inch)	Screw and wall plug QTY	Bracket QTY	Color temperature	LED length (inch)	Drive Wattage	Initial Lumens	Delivered Lumens
MRE6A2030	20	30	1.65	12	12	2	1	3000K+4500K+6000K	83	24	2100	1260
MRE6A2036	20	36	1.65	12	18	3	2	3000K+4500K+6000K	94	24	2300	1380
MRE6A2040	20	40	1.65	12	22	4	2	3000K+4500K+6000K	102	36	2500	1500
MRE6A2430	24	30	1.65	16	16	3	1	3000K+4500K+6000K	91	24	2200	1320
MRE6A2436	24	36	1.65	16	16	3	1	3000K+4500K+6000K	102	36	2500	1500
MRE6A2440	24	40	1.65	16	22	4	2	3000K+4500K+6000K	110	36	2700	1620
MRE6A2730	27	30	1.65	16	16	3	1	3000K+4500K+6000K	98	36	2400	1440
MRE6A2736	27	36	1.65	16	16	3	1	3000K+4500K+6000K	110	36	2700	1620
MRE6A2740	27	40	1.65	16	20	3	2	3000K+4500K+6000K	118	36	2900	1740
MRE6A3030	30	30	1.65	16	16	3	1	3000K+4500K+6000K	102	36	2500	1500
MRE6A3036	30	36	1.65	18	18	3	1	3000K+4500K+6000K	114	36	2800	1680
MRE6A3040	30	40	1.65	20	20	3	1	3000K+4500K+6000K	126	36	3000	1800
MRE6A3048	30	48	1.65	20	28	4	2	3000K+4500K+6000K	142	36	3400	2040
MRE6A3060	30	60	1.65	20	39	4	2	3000K+4500K+6000K	165	48	4000	2400
MRE6A3072	30	72	1.65	20	51	4	2	3000K+4500K+6000K	189	48	4600	2760
MRE6A3333	33	33	1.65	20	20	3	1	3000K+4500K+6000K	114	36	2800	1680
MRE6A3336	33	36	1.65	20	20	3	1	3000K+4500K+6000K	122	36	3000	1800
MRE6A3342	33	42	1.65	20	28	4	2	3000K+4500K+6000K	134	36	3300	1980
MRE6A3636	36	36	1.65	20	20	3	1	3000K+4500K+6000K	130	36	3100	1860
MRE6A3642	36	42	1.65	24	24	4	1	3000K+4500K+6000K	142	36	3400	2040
MRE6A3648	36	48	1.65	24	28	4	1	3000K+4500K+6000K	154	48	3700	2220
MRE6A3660	36	60	1.65	28	39	4	2	3000K+4500K+6000K	177	48	4300	2580
MRE6A3672	36	72	1.65	28	51	4	2	3000K+4500K+6000K	201	60	4900	2940
MRE6A4242	42	42	1.65	28	28	4	1	3000K+4500K+6000K	154	48	3700	2220
MRE6A4260	42	60	1.65	31	39	4	2	3000K+4500K+6000K	189	48	4600	2760
MRE6A4272	42	72	1.65	31	51	4	2	3000K+4500K+6000K	213	60	5200	3120

