

ELEGANT

FURNITURE & LIGHTING™

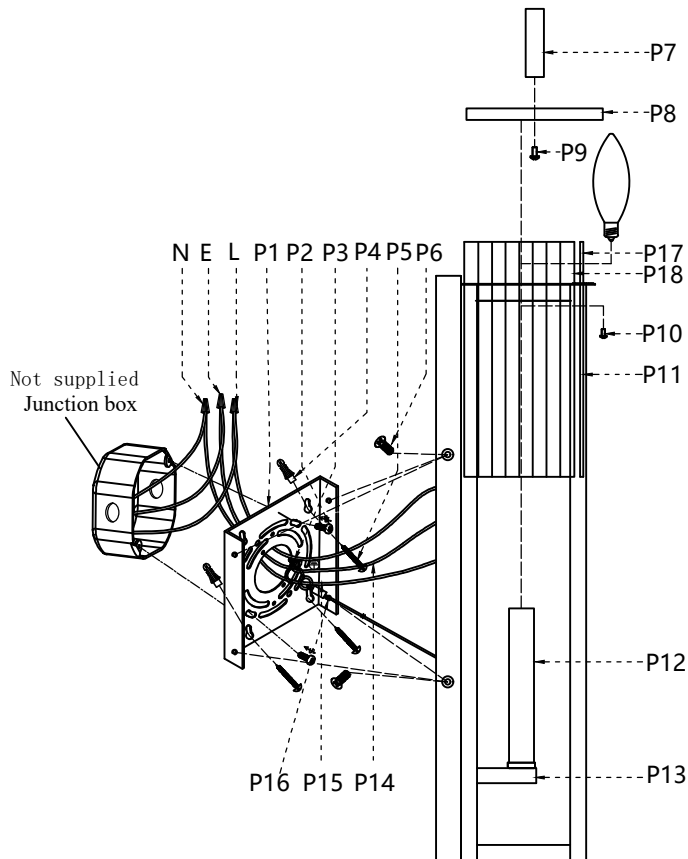
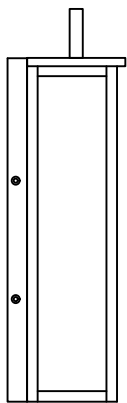
Collection: Bodine

Installation manual for:

OD513W23BK W11.4" D5.6" H23.1"L2

Installation instructions:

1. Black wire from ceiling(junction box) attaches to "L" wire from the fixture
2. White wire from ceiling(junction box) attaches to "N" wire from the fixture
3. "E" wire from the ceiling attaches to "E" wire from the fixture.
4. Secure mounting bracket to the junction box.
5. Install the lamp body to the mounting bracket by screws(P6).
6. Install E26 light source.(Bulbs not supplied) .
7. Screw (P7) to lock lamp cover (P6) to lock lamp holder (P9).



Part Number	Part	Picture	Description	Qty	
MB13W34	P1		Mounting bracket (10"*8.7"*0.6")	1	
	P2		Mounting bracket screw	2	
P-OD513W23BK	P3		Screw	1	
	P4		Expansion hose	4	
	P5		Self-tapping screws	4	
	P6		Screw	4	
	P7		Hhandle	1	
	P8		Lamp cover (11.4"*4.7")	1	
	P9		Screw	2	
	P10		Screw	2	
	P11		Light holder (11.3"*5.5"*H20.3")	1	
	P12		Cannula	2	
	P13		Support arm	2	
	P14		UL18#Ground wire,L33"	1	
	P15		UL18#,L45"	1	
	P16		Safety rope	1	
	GP13T34	P17		Glass sheet (19.8"*9.7")	1
		P18		Glass sheet (19.8"*3.8")	2

"L" = Hot wire

"N" = Neutral wire

"E" = Ground wire