



Collection: Bodine

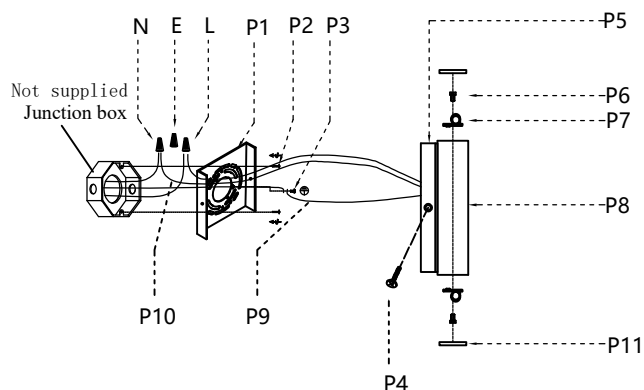
Installation manual for:

OD507W9BK W9.1"D1.8"H5.1"L2

Installation instructions:

1. Black wire from ceiling(junction box) attaches to "L" wire from the fixture
2. White wire from ceiling(junction box) attaches to "N" wire from the fixture
3. "E" wire from the ceiling attaches to "E" wire from the fixture.
4. Secure mounting bracket to the junction box.
5. Insert screws (P2) in the side of the mounting bracket(P1).
6. Align the holes on the side of fixture(P3) and secure with the screw (P4)

Note: 3CCT color temperature switch function. while power on first and turn-on or turn-off within 6 seconds, the color temperaute will change. The memory function will start while stop operation over 7 seconds. the LED initial color temperature is 5000K. Will resume the original situation while turn on and off 7 times within 2 seconds while power on.



| Part Number | Part | Picture | Description | Qty |
|----------------|---------|---------|--------------------------------------|--------------------------------|
| MB13W026 | P1 | | Mounting bracket (W7.5"*E0.4"*H4.5") | 1 |
| | P2 | | Mounting bracket screw | 2 |
| P-OD507W9BK-26 | P3 | | Screw | 1 |
| | P4 | | Screw | 2 |
| | P5 | | Siding(8"*0.6"*4.9") | 1 |
| | P6 | | Screw | 4 |
| | P7 | | LED(W5.4"*E0.7") | 2 |
| | P8 | | Body (W9.1"*E1.8"*H5.1") | 1 |
| | P9 | | UL18#Ground wire,L13" | 1 |
| | P10 | | UL18#,L8" | 1 |
| | GP13T26 | P11 | | Glass sheet (W8.8"*E1"*H0.07") |

"L" = Hot wire

"N" = Neutral wire

"E" = Ground wire