

ELEGANT

FURNITURE & LIGHTING™

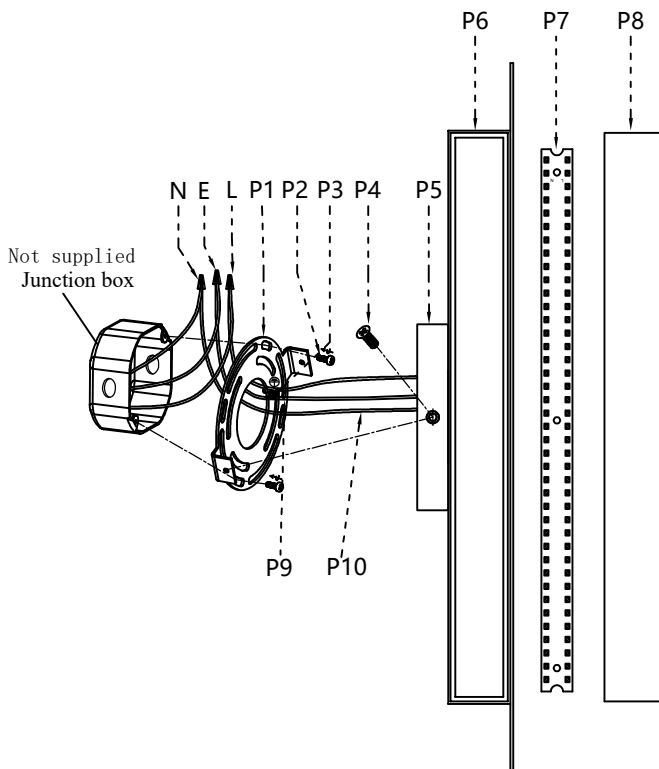
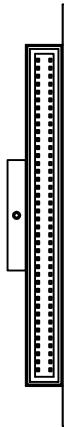
Collection: Bodine

Installation manual for:

OD506W40BK W4.7" D2.4" H40" L2

Installation instructions:

1. Black wire from ceiling(junction box) attaches to "L" wire from the fixture
2. White wire from ceiling(junction box) attaches to "N" wire from the fixture
3. "E" wire from the ceiling attaches to "E" wire from the fixture.
4. Secure mounting bracket to the junction box.
5. Install the lamp body to the mounting bracket by screws(P4).



Part Number	Part	Picture	Description	Qty
M13W24	P1		Mounting bracket (3.9"*4.6"*0.6")	1
	P2		Mounting bracket screw	2
P-OD506W40BK	P3		Screw	1
	P4		Screw	2
	P5		Siding(4.7"*4.7"*0.8")	1
	P6		Body(3.9"*1.7"*40")	1
	P7		Led(36"*0.8")	2
	P9		UL18#Ground wire,L10"	1
	P10		UL18#,L10"	1
GP13T25	P8		Glass sheet (L37.2"*W1.4")	2

"L" = Hot wire
 "N" = Neutral wire
 "E" = Ground wire