



ELEGANT

FURNITURE & LIGHTING™

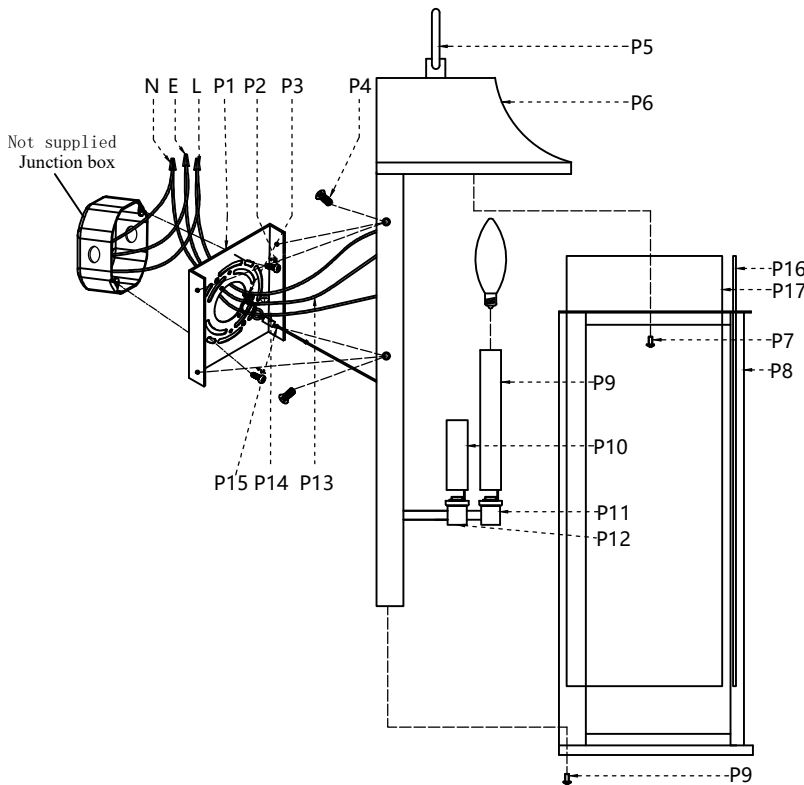
Collection: Bodine

Installation manual for:

OD503W25BK W10" D8" H24.9"L3

Installation instructions:

1. Black wire from ceiling(junction box) attaches to "L" wire from the fixture
2. White wire from ceiling(junction box) attaches to "N" wire from the fixture
3. "E" wire from the ceiling attaches to "E" wire from the fixture.
4. Secure mounting bracket to the junction box.
5. Install the lamp body to the mounting bracket by screws(P4).
6. Install E12 light source.(Bulbs not supplied) .
7. Lock the Light holder (P8) to the Lamp cover (P6) with Screw (P7).



Part Number	Part	Picture	Description	Qty	
MB13W13	P1		Mounting bracket (8.3"*6.4"*0.6")	1	
	P2		Mounting bracket screw	2	
P-OD503W25BK	P3		Screw	1	
	P4		Screw	4	
	P5		Hanging rings	1	
	P6		Lamp cover (10"*8"*21.6")	1	
	P7		Screw	3	
	P8		Light holder (9.8"*7.9"*18.2")	1	
	P9		Cannula	2	
	P10		Cannula	1	
	P11		support arm	1	
	P12		support arm	2	
	P13		UL18#Ground wire,L12"	1	
		P14		UL18#,L35"	1
		P15		Safety rope	1
GP13T13	P16		Glass sheet (L17.6"*W8.1")	2	
	P17		Glass sheet (L17.6"*W6.2")	1	

"L" = Hot wire

"N" = Neutral wire

"E" = Ground wire