

ELEGANT

FURNITURE & LIGHTING™

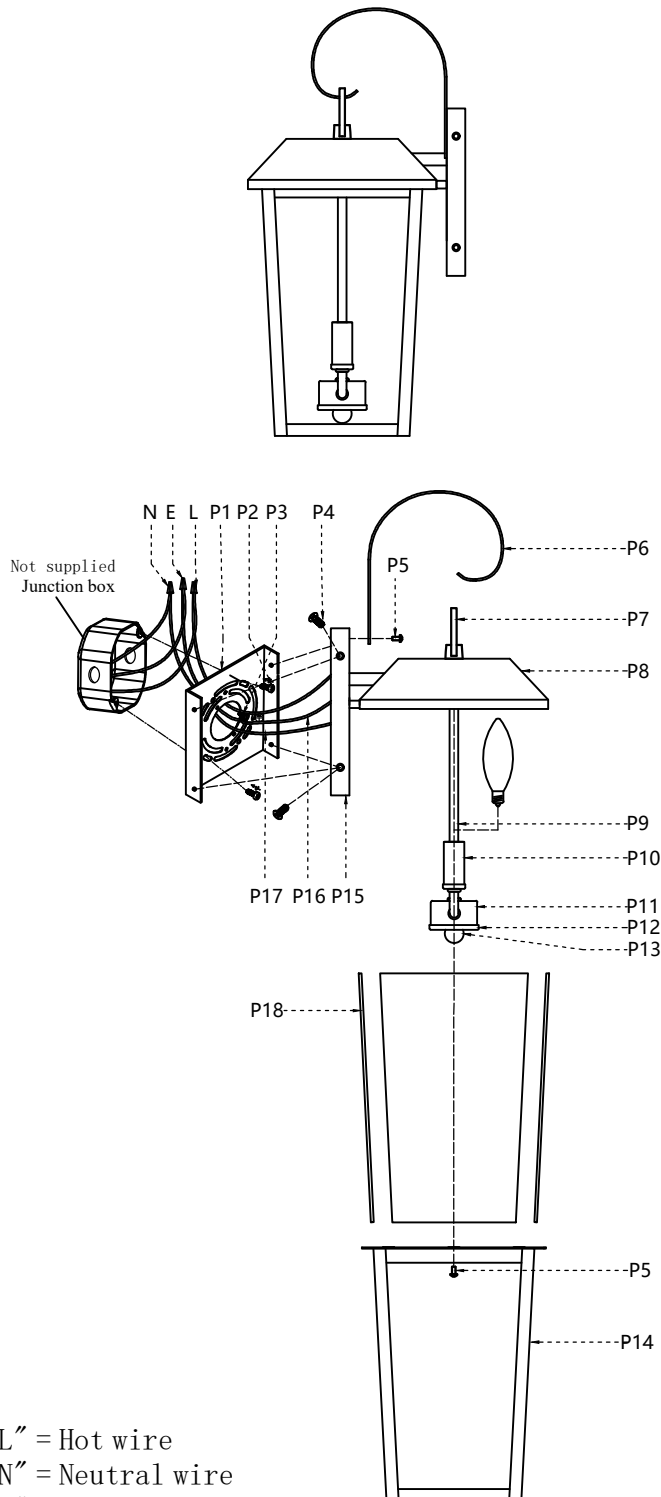
Collection: Bodine

Installation manual for:

OD502W18BK W8" D9.2" H18.1"L2

Installation instructions:

1. Black wire from ceiling(junction box) attaches to "L" wire from the fixture
2. White wire from ceiling(junction box) attaches to "N" wire from the fixture
3. "E" wire from the ceiling attaches to "E" wire from the fixture.
4. Secure mounting bracket to the junction box.
5. Install the lamp body to the mounting bracket by screws(P4).
6. Install E12 light source.(Bulbs not supplied) .
7. Attach Lamp cover(P8) to Light holder(P14) with Screw (P5).
8. Lock the screw (P5) to the wall panel with the decorative bend (P6).



Part Number	Part	Picture	Description	Qty	
MB13W06	P1		Mounting bracket (5.9"*5.3"*0.6")	1	
	P2		Mounting bracket screw	2	
P-OD502W18BK	P3		Screw	1	
	P4		Screw	4	
	P5		Screw	3	
	P6		Decorative bend	1	
	P7		Hanging rings	1	
	P8		Lamp cover (8.4"*8"*2.1")	1	
	P9		Connecting pipe	1	
	P10		Cannula	2	
	P11		Mounting box	1	
	P12		Mounting box cover	1	
	P13		Nut	1	
	P14		Light holder (7.8"*7.8"*H10.7")	1	
	P15		Siding(7.1"*5.5"*0.8")	1	
	P16		UL18#Ground wire,L12"	1	
	P17		UL18#,L33"	1	
	GP13T06	P18		Glass sheet (10.6"*6.3")	4

"L" = Hot wire
 "N" = Neutral wire
 "E" = Ground wire