

ELEGANT

FURNITURE & LIGHTING™

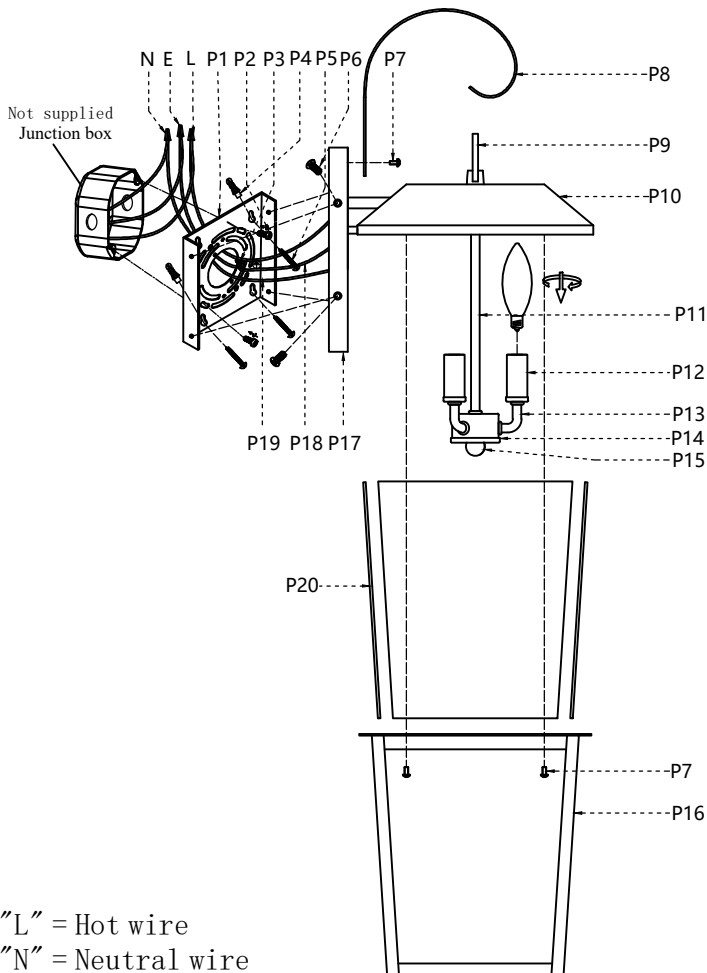
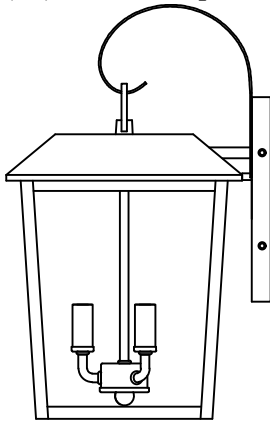
Collection: Bodine

Installation manual for:

OD502W17BK W10" D11.2" H17.3"L3

Installation instructions:

1. Black wire from ceiling(junction box) attaches to "L" wire from the fixture
2. White wire from ceiling(junction box) attaches to "N" wire from the fixture
3. "E" wire from the ceiling attaches to "E" wire from the fixture.
4. Secure mounting bracket to the junction box.
5. Install the lamp body to the mounting bracket by screws(P6).
6. Install E12 light source.(Bulbs not supplied) .
7. Attach Lamp cover(P10) to Light holder(P16) with Screw (P7).
7. Lock the screw (P7) to the wall panel with the decorative bend (P8).



"L" = Hot wire
 "N" = Neutral wire
 "E" = Ground wire

Part Number	Part	Picture	Description	Qty
MB13W07	P1		Mounting bracket (6.9"*5.9"*0.6")	1
	P2		Mounting bracket screw	2
P-OD502W17BK	P3		Screw	1
	P4		Expansion hose	4
	P5		Self-tapping screws	4
	P6		Screw	4
	P7		Screw	5
	P8		Decorative bend	1
	P9		Hanging rings	1
	P10		Lamp cover (10.4"*10"*2.1")	1
	P11		Connecting pipe	1
	P12		Cannula	3
	P13		Mounting box	1
	P14		Mounting box cover	1
	P15		Nut	1
	P16		Light holder (9.8"*9.8"*10.2")	1
	P17		Siding(8.7"*7.1"*0.8")	1
	P18		UL18#Ground wire,L16"	1
	P19		UL18#,L33"	1
	GP13T07	P20		Glass sheet (10"*8.2")