

ELEGANT

FURNITURE & LIGHTING™

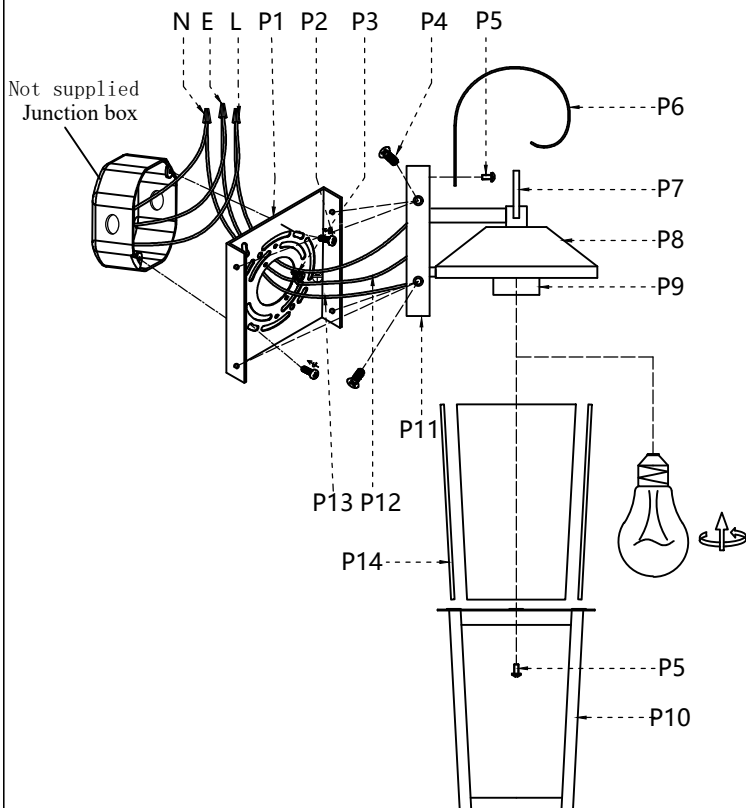
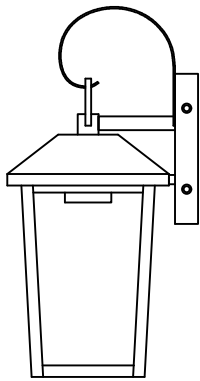
Collection: Bodine

Installation manual for:

OD502W12BK W5.5" D6.5" H12.6"L1

Installation instructions:

1. Black wire from ceiling(junction box) attaches to "L" wire from the fixture
2. White wire from ceiling(junction box) attaches to "N" wire from the fixture
3. "E" wire from the ceiling attaches to "E" wire from the fixture.
4. Secure mounting bracket to the junction box.
5. Install the lamp body to the mounting bracket by screws(P4).
6. Install E26 light source.(Bulbs not supplied) .
7. Lock the screw (P5) to the wall panel with the decorative bend (P6).



Part Number	Part	Picture	Description	Qty	
MB13W05	P1		Mounting bracket (5.9"*5.3"*0.6")	1	
	P2		Mounting bracket screw	2	
P-OD502W12BK	P3		Screw	1	
	P4		Screw	4	
	P5		Screw	3	
	P6		Decorative bend	1	
	P7		Hanging rings	1	
	P8		Lamp cover (5.7"*5.5"*1.7")	1	
	P9		Cannula	1	
	P10		Light holder (5.4"*5.4"*6.8")	1	
	P11		Siding(5.1"*4.7"*0.8")	1	
	P12		UL18#Ground wire,L16"	1	
	P13		UL18#,L10"	1	
	GP13T05	P20		Glass sheet (L6.1"*W4.7")	4

"L" = Hot wire

"N" = Neutral wire

"E" = Ground wire