



ELEGANT

FURNITURE & LIGHTING™

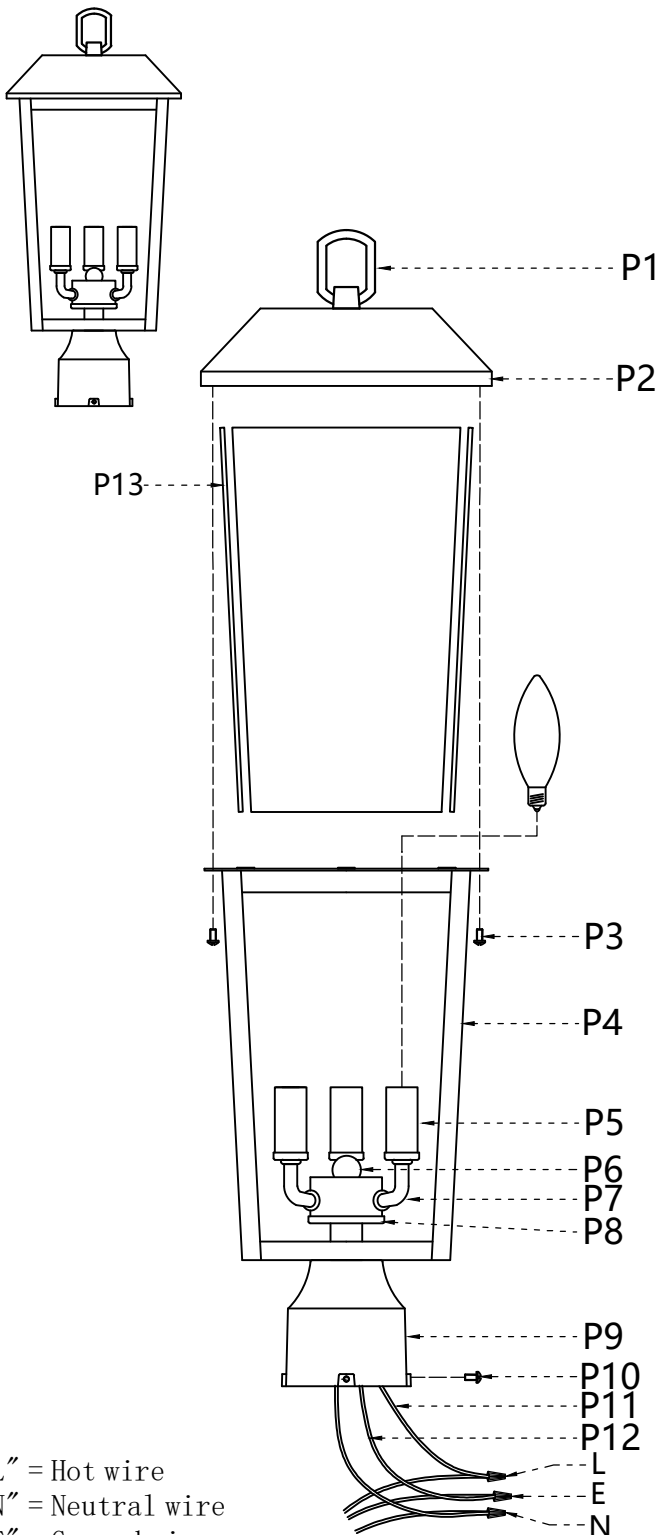
Collection: Bodine

Installation manual for:

OD502P18BK W8" D8" H18.2"L3

Installation instructions:

1. Black wire attaches to "L" wire from the fixture
2. White wire attaches to "N" wire from the fixture
3. "E" ceiling attaches to "E" wire from the fixture.
4. Lock the stylobate (P9) to the capital with Screw (P10).
5. Install E12 light source. (Bulbs not supplied).
6. Attach Lamp cover(P2) to Light holder(P4) with Screw (P3).



Part Number	Part	Picture	Description	Qty
P-OD502P18BK	P1		Hanging rings ²	1
	P2		Lamp cover (8"*8"*2.1")	1
	P3		Screw	2
	P4		Light holder (7.8"*7.8"*H10.7")	1
	P5		Cannula	3
	P6		Nut	1
	P7		Mounting box	1
	P8		Mounting box cover	1
	P9		stylobate	1
	P10		Screw	1
	P11		UL18#,L18"	1
	P12		UL18#Ground wire,L15"	1
GP13T10	P13		Glass sheet (10.6"*6.3")	4

"L" = Hot wire
 "N" = Neutral wire
 "E" = Ground wire