



ELEGANT

FURNITURE & LIGHTING™

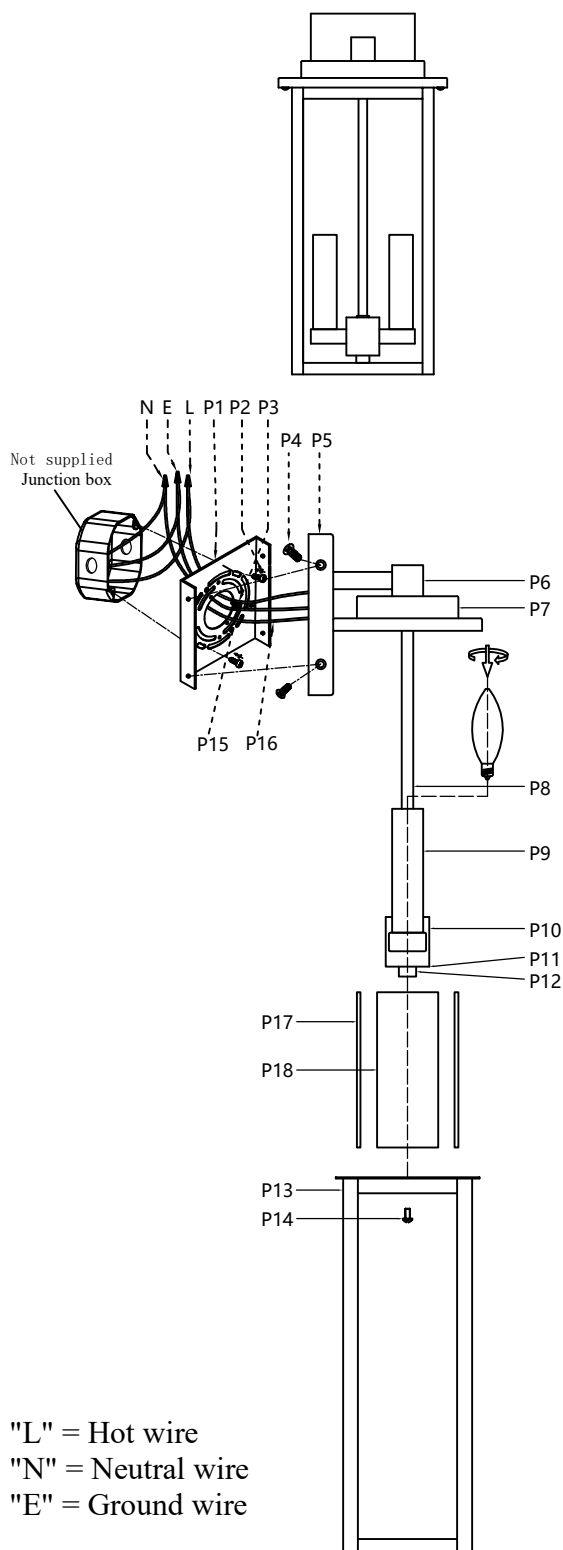
Collection: Bodine

Installation manual for:

OD501W15BK W7" D5.5" H15" L2

Installation instructions:

1. Black wire from ceiling(junction box) attaches to "L" wire from the fixture
2. White wire from ceiling(junction box) attaches to "N" wire from the fixture
3. "E" wire from the ceiling attaches to "E" wire from the fixture.
4. Secure mounting bracket to the junction box.
5. Install the lamp body to the mounting bracket by screws(P4).
6. Install E12 light source.(Bulbs not supplied) .
7. Fasten the light frame (P13) to the light body (P7) with screws (P14).



"L" = Hot wire
 "N" = Neutral wire
 "E" = Ground wire

Part Number	Part	Picture	Description	Qty	
M13W02	P1		Mounting bracket (4.2"*4.5"*0.6")	1	
	P2		Mounting bracket screw	2	
P-OD501W15BK	P3		Screw	1	
	P4		Screw	4	
	P5		Siding(4.3"*5.1"*0.8")	1	
	P6		Support Arm	1	
	P7		Lamp cover(7"*4.7"*1.1")	1	
	P8		Connecting pipe	1	
	P9		Cannula	2	
	P10		Mounting box	1	
	P11		Mounting box cover	1	
	P12		Nut	1	
	P13		Body (L6.9"*W4.6"*H12")	1	
	P14		Screw	2	
	P15		UL18#Ground wire,L10"	1	
	P16		UL18#,L29"	1	
	GP13T02	P17		Glass sheet (L11.7"*W5.4")	2
		P18		Glass sheet (L11.7"*W3.6")	2