

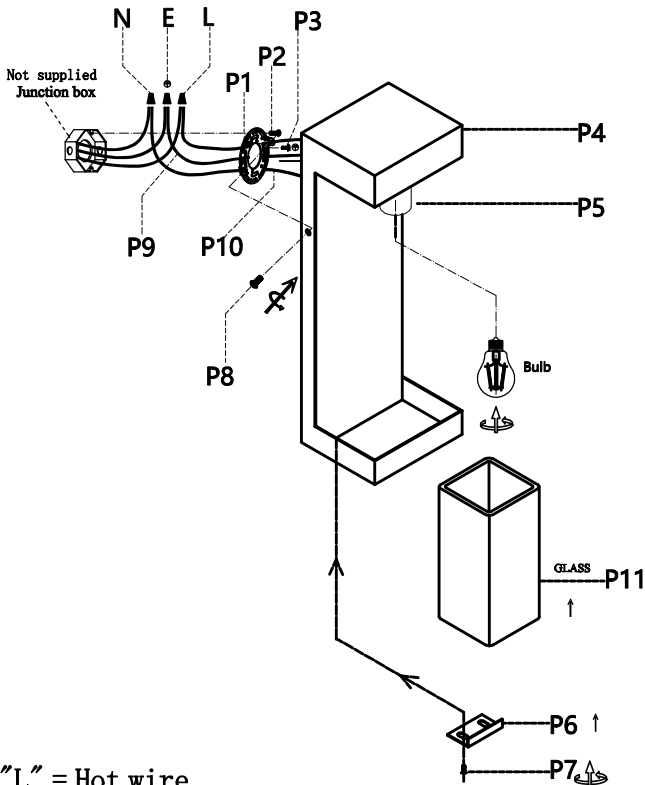
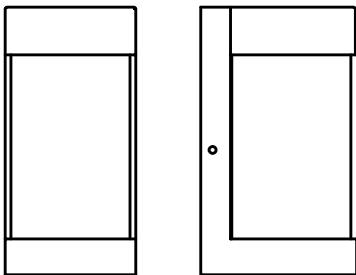


Collection:Thompson  
Installation manual for:

OD372W9BK W4.5" H9" E5" L1

**Installation instructions:**

1. Install E26 light source.(Bulbs not supplied) .
2. Put glass(P11)into body(P4) and use clips(P6) with screw(P7) to fix.
- 3.Use screw(P ) to fix lamp with wall mounted.
- 4.Black wire from ceiling(junction box) attaches to "L"wire from the fixture
- 5.White wire from ceiling(junction box) attaches to "N"wire from the fixture
- 6."E" wire from the ceiling attaches to "E" wire from the fixture.
7. Install the lamp body to the mounting bracket by screws(P9)



"L" = Hot wire  
"N" = Neutral wire  
"E" = Ground wire

Part Number	Part	Picture	Description	Qty
MB12W01	P1		Mounting bracket Ø3.94	1
	P2		Mounting bracket screw M4	2
	P3		Screw M4	1
P-OD372W9BK	P4		L130xW110xH225mm Body	1
	P5		E26 Holder	1
	P6		L50*W25*H10mm Clips	1
	P7		Screw M4	2
	P8		Screw M4	2
	P9		UL18#Ground wire,L9.8"	1
	P10		UL18#,L12"Black+White	1
GS12L36	P11		100x100xH195mm Glass	1