

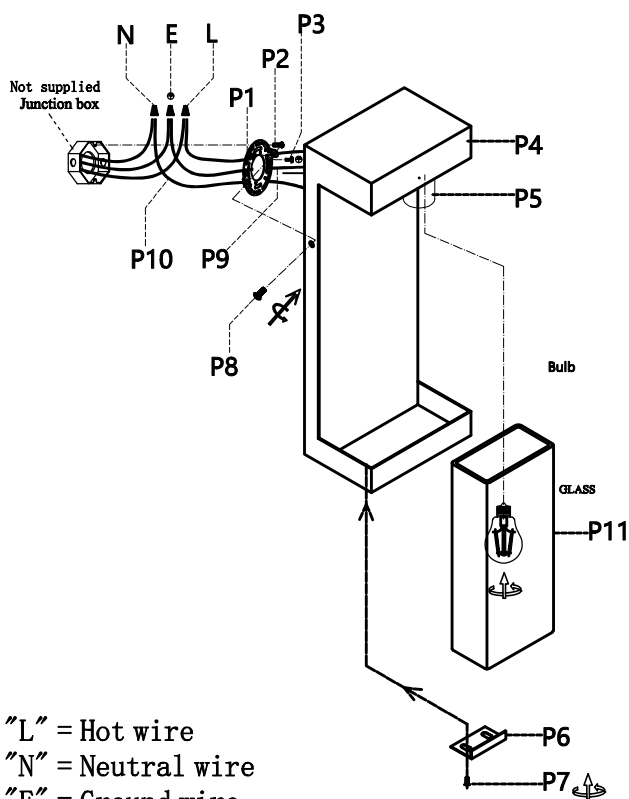
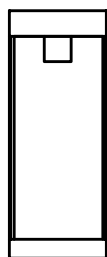


Collection:Thompson  
Installation manual for:

OD371W16BK W6" H16" E4" L1

**Installation instructions:**

- 1.Install E26 light source.(Bulbs not supplied)
- 2.Instal galss (P11 ) into lamp body(P4) and use clips(P6) with screw(P7) to fix glass.
- 4.Secure mounting bracket to the junction box
- 5.Black wire from ceiling(junction box) attaches to "L"wire from the fixture
- 6.White wire from ceiling(junction box) attaches to "N"wire from the fixture
- 7."E" wire from the ceiling attaches to "E" wire from the fixture.
- 8.Secure mounting bracket to the junction box.
- 9.Use screw(P8) to fiable lamp with wall mounted



"L" = Hot wire  
"N" = Neutral wire  
"E" = Ground wire

Part Number	Part	Picture	Description	Qty
MB12W01	P1		Mounting bracket $\phi$ 3.94	1
	P2		Mounting bracket screw M4	2
	P3		Screw M4	1
P-OD371W16BK-1	P4		385x148x105mm Body	1
	P5		E26 Holder	1
	P6		Clips	1
	P7		Screw M4	2
	P8		Screw M4	2
	P9		UL18#Ground wire,L9.8"	1
	P10		UL18#,L12"Black+White	1
GS12L34	P11		L140xW75xH350mm Glass	1