



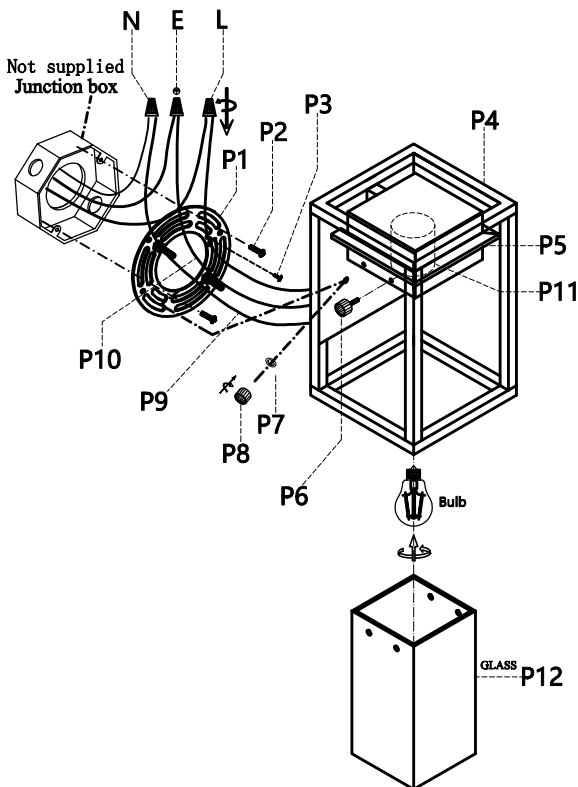
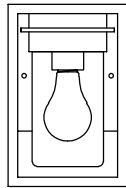
Collection: Morse

Installation manual for:

OD366W9BK W6" H9" E6" L1

Installation instructions:

1. Install E26 light source. (Bulbs not supplied)
2. Install glass (P12) into lamp body (P4) and use screw caps (P6) to fix glass.
3. Secure mounting bracket (P1) to the junction box
4. Black wire from ceiling (junction box) attaches to "L" wire from the fixture
6. White wire from ceiling (junction box) attaches to "N" wire from the fixture
7. "E" wire from the ceiling attaches to "E" wire from the fixture.
8. Use rubber ring (P7) and screw (P8) to fixable lamp with wall mounted.



Part Number	Part	Picture	Description	Qty
MB12W01	P1		Mounting bracket Ø3.94	1
	P2		Mounting bracket screw M4	2
	P3		Screw M4	1
P-OD366W9BK-1	P4		150x150x230MM Body	1
	P5		119*115*60MM Cap	1
	P6		10x8 M4 Screw cap	4
	P7		Rubber ring	2
	P8		Screw cap	2
	P9		UL18#,L12"Black+White	1
	P10		UL18#Ground wire,L9.8"	1
	P11		E26 Holder	1
GS12L31	P12		89*89*165MM Glass	1

"L" = Hot wire
 "N" = Neutral wire
 "E" = Ground wire