



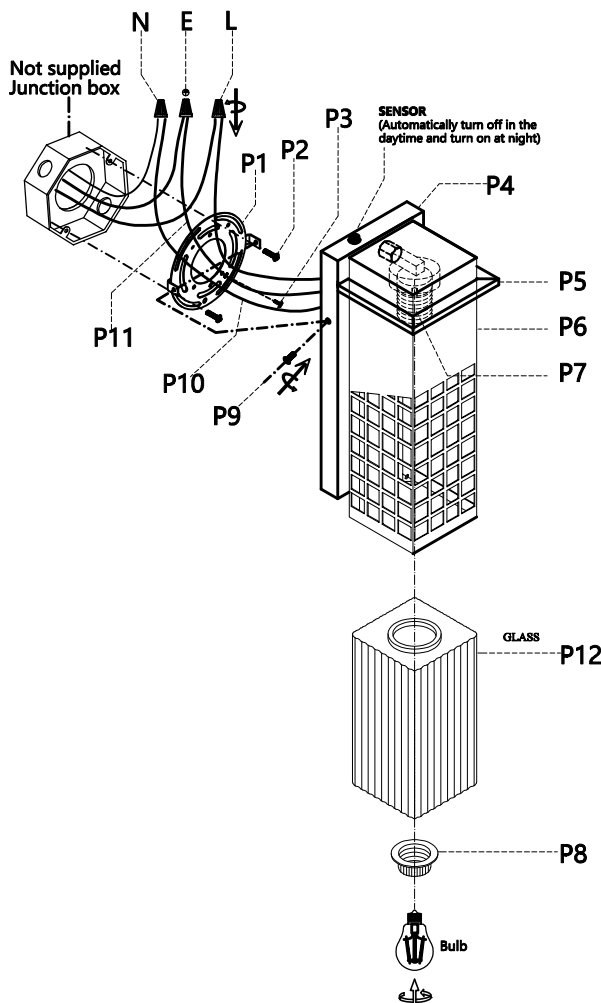
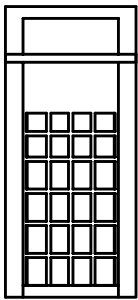
Collection: Bodine

Installation manual for:

OD360W15BK W7"* H15" E6.5"

Installation instructions:

1. Instal galss (P12) into lamp body(P6)
2. Install E26 light source.(Bulbs not supplied) .
3. Secure mounting bracket to the junction box.
4. Black wire from ceiling(junction box) attaches to "L"wire from the fixture
5. White wire from ceiling(junction box) attaches to "N"wire from the fixture
6. "E" wire from the ceiling attaches to "E" wire from the fixture.
7. Install the lamp body to the mounting bracket by screws(P10)



Part Number	Part	Picture	Description	Qty	
MB12W01	P1		Mounting bracket ϕ 3.94	1	
	P2		Mounting bracket screw M4	2	
	P3		Screw M4	1	
P-OD360W15BK-1	P4		L365*W167*H25MM Back plate	1	
	P5		L165*W143*H10MM Square parts	1	
	P6		120*120*350MM Body	1	
	P7		E26 Holder	1	
	P8		Socket ring	1	
	P9		Screw M4	2	
	P10		UL18#, L12" Black+White	1	
	P11		UL18#Ground wire, L9. 8"	1	
	GS12L26	P12		110x110x240T3.0mm Glass	1

"L" = Hot wire
 "N" = Neutral wire
 "E" = Ground wire