



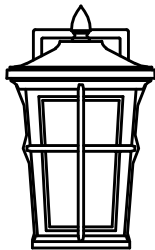
Collection: Bodine

Installation manual for:

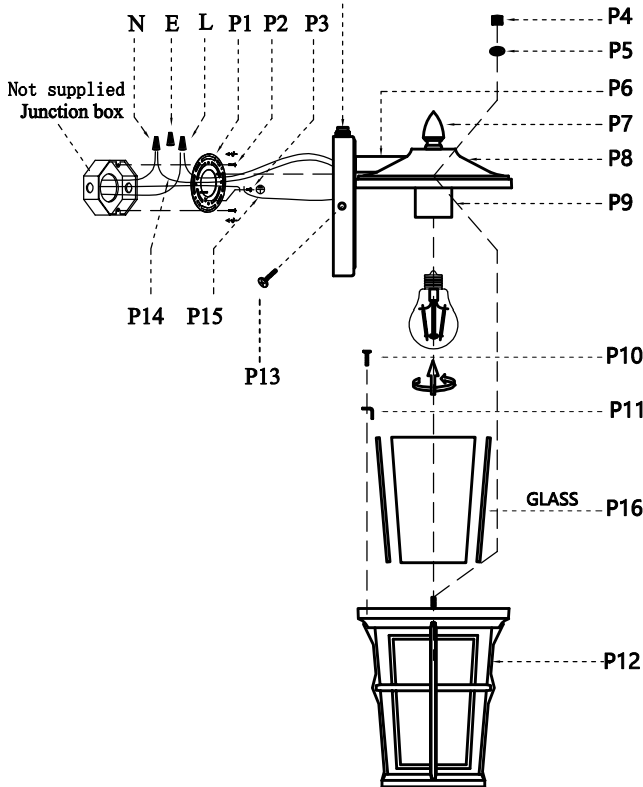
OD337W12BK W7" H11.5" E8" L1

Installation instructions:

1. Black wire from ceiling(junction box) attaches to "L" wire from the fixture
2. White wire from ceiling(junction box) attaches to "N" wire from the fixture
3. "E" wire from the ceiling attaches to "E" wire from the fixture.
4. Secure mounting bracket to the junction box.
5. Install the lamp body to the mounting bracket by screws(P3).
6. Install E26 light source.(Bulbs not supplied) .
7. Use screw(P10)&clips(P11) fixable glass sheet (P16) into lamp body (P12)
8. Rubber ring(P5)&screw cap(P4) to lock in cover(P8) and lamp body(P12)



SENSOR
(Automatically turn off in the daytime and turn on at night)



Part Number	Part	Picture	Description	Qty	
MB12W01	P1		Mounting bracket Ø3.94	1	
	P2		Mounting bracket screw M4	2	
	P3		Screw M4	1	
P-OD337W12BK-1	P4		Screw cap	2	
	P5		Rubber ring	2	
	P6		Metal parts (W4.53*H6.3")	1	
	P7		Top cap(L0.9**H"1.65")	1	
	P8		Cover (L7.09**H1.7")	1	
	P9		E26 Holder	1	
	P10		Screw M4	4	
	P11		Clips (0.59**0.55**0.51**T=0.03")	4	
	P12		Body (L6.9**W6.9**H8.07")	1	
	P13		Screw M4	2	
	P14		UL18#Ground wire,L9.8"	1	
	P15		UL18#,L12"Black+White	1	
	GP12L23	P16		L4.7**W3.6**H7" Glass	4

"L" = Hot wire
 "N" = Neutral wire
 "E" = Ground wire