

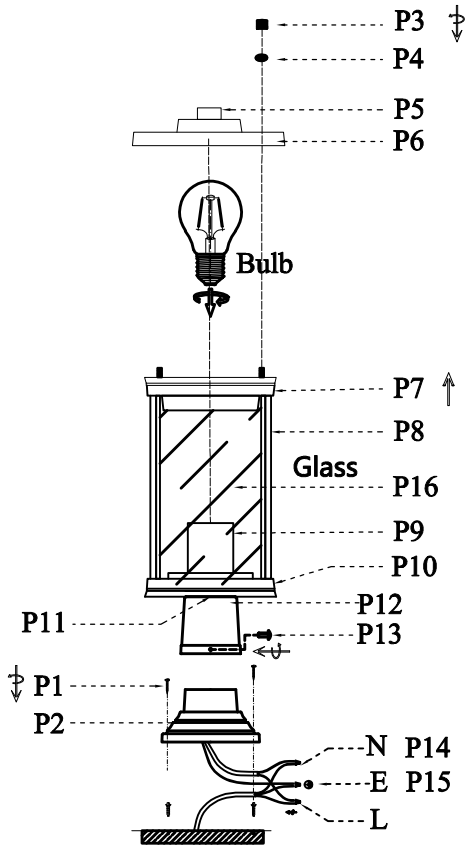
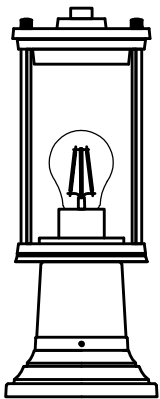


Collection: Mascher
Installation manual for:

OD336P14BK L5" W5" H14" L1

Installation instructions:

1. Install E26 light source. (Bulbs not supplied)
2. Connect cover (P6) with body (P7) and put rubber ring (P4) with screw caps (P3) to fixable.
3. Black wire from ceiling (junction box) attaches to "L" wire from the fixture
4. White wire from ceiling (junction box) attaches to "N" wire from the fixture
5. "E" wire from the ceiling attaches to "E" wire from the fixture.
6. Use explosion screw (P1) to fix base (P2) into land.
7. Put lamp pole (P12) into base (P2) and use screw (P13) to lock in.



"L" = Hot wire
"N" = Neutral wire
"E" = Ground wire

Part Number	Part	Picture	Description	Qty
LB12P01	P1		Explosion screw M4	4
	P2		5.5*2.95" Lamp base	1
P-OD336P14BK-1	P3		Screw cap	2
	P4		Rubber ring	2
	P5		Ø20*12MM Column parts	1
	P6		127*127*17MM Cover	1
	P7		122*122*H30MM Body edge	1
	P8		12*10*H181MM Body	4
	P9		E26 Lamp Holder	1
	P10		122*122*H22MM Body bottom	1
	P11		117*117MM Plate	1
	P12		lamp pole (3.38*3.22")	1
	P13		Screws M4	3
	P14		UL18#, L12" Black+White	1
	P15		UL18# Ground wire, L9.8"	1
	GP12L22	P16		L98*H181MM Glass