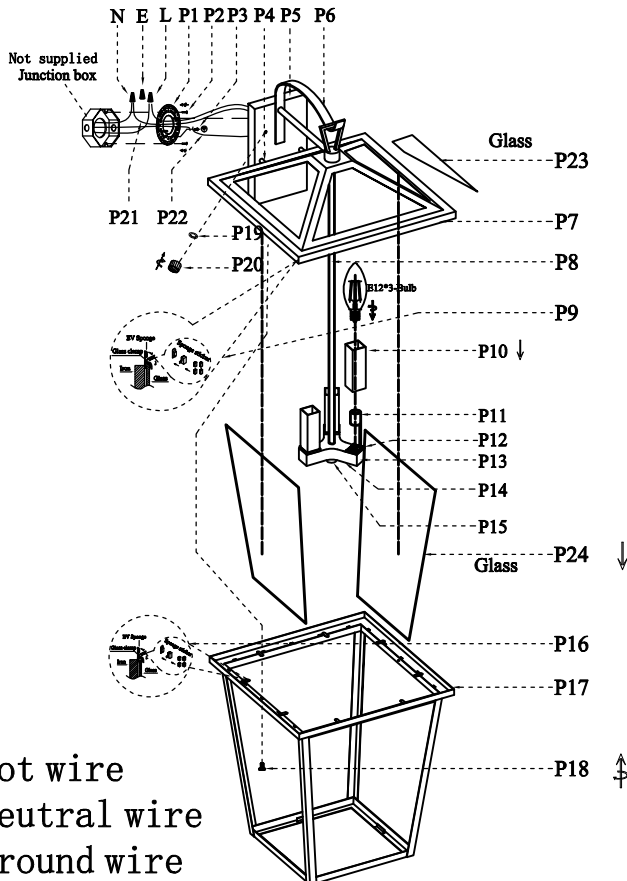
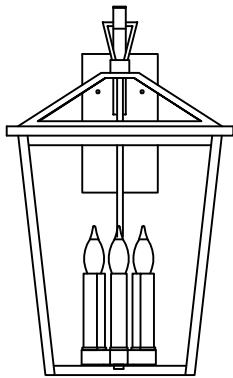


Collection:Frankford
Installation manual for:
OD334W23BK W14" H23" E16" L3
Installation instructions:

1. Install tube(P10) on lamp holder
2. Install E12*3 light source.(Bulbs not supplied) .
3. Put glass(P23) into Connect cover(P7) and stick sponge on clips(P9). Finally cruce clips to fix glass.
4. Put glass(P24) into into body(P17) and stick sponge on clips(P16). Finally cruce clips to fix glass.
5. Connect cover(P7) with body(P17) and with screw(P18) to fixable.
6. Secure mounting bracket to the junction box
7. Black wire from ceiling(junction box) attaches to "L" wire from the fixture
8. White wire from ceiling(junction box) attaches to "N" wire from the fixture
9. "E" wire from the ceiling attaches to "E" wire from the fixture.
10. Use rubber ring(P19) and screw(P20) to fix lamp with wall mounted



Part Number	Part	Picture	Description	Qty	
MB12W01	P1		Mounting bracket Ø3.94	1	
	P2		Mounting bracket screw M4	2	
	P3		Screw M4	1	
P-OD334W23BK-1	P4		Ø8*20MM Tube	2	
	P5		220*120*H25MM Back plate	1	
	P6		171*243*20MM Ring	1	
	P7		360*360*H100MM Cover	1	
	P8		Ø11.5*L438MM Tube	1	
	P9		EV Sponge Sponge sticker	12	
	P10		22*22*100MM Tube	3	
	P11		E12 Holder	3	
	P12		24*24*5MM Cover	3	
	P13		113*98*23MM Box	1	
	P14		111*96.MM Plate	1	
	P15		Ø15*H8MM Column parts	1	
	P16		EV Sponge Sponge sticker	12	
	P17		355*355*393MM Body	1	
	P18		Screw M4	2	
	P19		Rubber ring	2	
	P20		Screw cap	2	
	P21		UL18#Ground wire,L9.8"	1	
	P22		UL18#,L12"Black+White	1	
	GP12L20	P23		310*153MM Glass	4
		P24		306*379MM Glass	4