

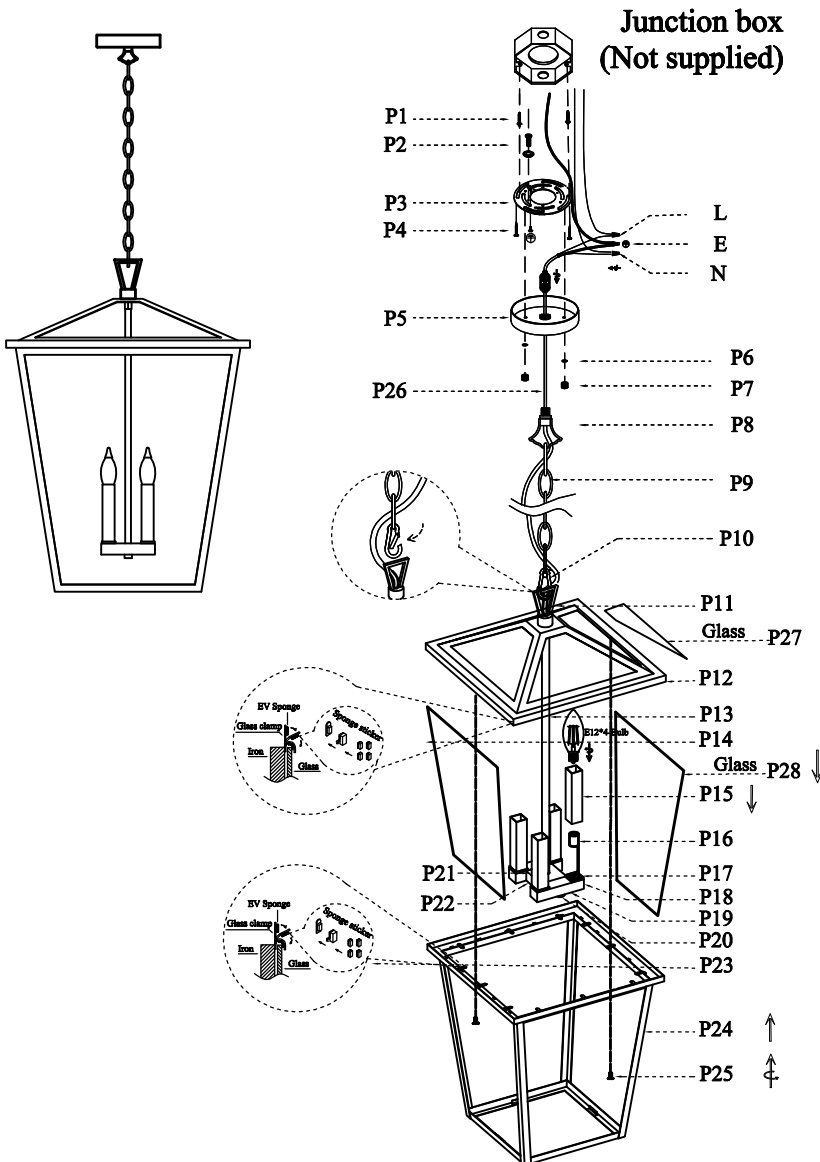
Collection:Frankford

Installation manual for:

OD334H27BK L20" W20" H27" L4

### Installation instructions:

- 1.Install tube(P15)on lamp holder
- 2.Install E12\*4 light source.(Bulbs not supplied)
- 3.Put glass(P27)into cover(P12)and stick sponge on clips(P14).Finally curve clips to fix glass
- 4.Put glass(P28)into body(P24)and stick sponge on clips(P23).Finally curve clips to fix glass
- 5.Connect cover(P12)with body(P24) and put screw(P25) to fixable.
- 6.Use hook(P10)connect(P11).Twist off screw and mat from the hanging ring(P8) and across the middle hole of canopy(P5 ) and use screw and mat lock in again.
- 7.Black wire from ceiling(junction box) attaches to "L"wire from the fixture
- 8.White wire from ceiling(junction box) attaches to "N"wire from the fixture
- 9."E" wire from the ceiling attaches to "E" wire from the fixture.
- 10.Screw (P2) through to canopy hole(P5) and then put rubber ring(P6) and twist screw cap(P7) to fix mounting bracket(P3).



"L" = Hot wire  
 "N" = Neutral wire  
 "E" = Ground wire

Part Number	Picture	Description	Qty	
CP12H01BK	P1	Explosion screw	2	
	P2	Screws M4	2	
	P3	Mounting bracket Ø3.94	1	
	P4	Screws M4	2	
	P5	Canopy(Ø4.7"*0.78")	1	
	P6	Rubber ring	2	
	P7	Screw cap	2	
	Chain04PBK	P8	Hanging rings L1.57"*W0.59"*H1.57"	1
		P9	Chain (L39")	1
		P10	Hook (L1.57"*W0.78"*H0.15")	1
P-OD334H27BK-1	P11	55*30*80MM Ring	1	
	P12	500*500*H100MM Cover	1	
	P13	Ø11.5*480MM Tube	1	
	P14	EV Sponge Sponge sticker	16	
	P15	22*22*100MM Tube	4	
	P16	E12 Lamp Holder	4	
	P17	24*24*5MM Cover	4	
	P18	107*28*23MM Box	2	
	P19	105*26MM Plate	2	
	P20	Ø15*H8MM Column parts	5	
	P21	60*60*23MM Box	1	
	P22	57*57*T1.2MM Plate	1	
	P23	EV Sponge Sponge sticker	16	
	P24	495*495*513MM Body	1	
	P25	Screw M4	8	
	Cord-59-18#-BK	P26	UL18#,L59"Black	1
	GP12L21	P27	436*210MM Glass	4
		P28	448*503MM Glass	4