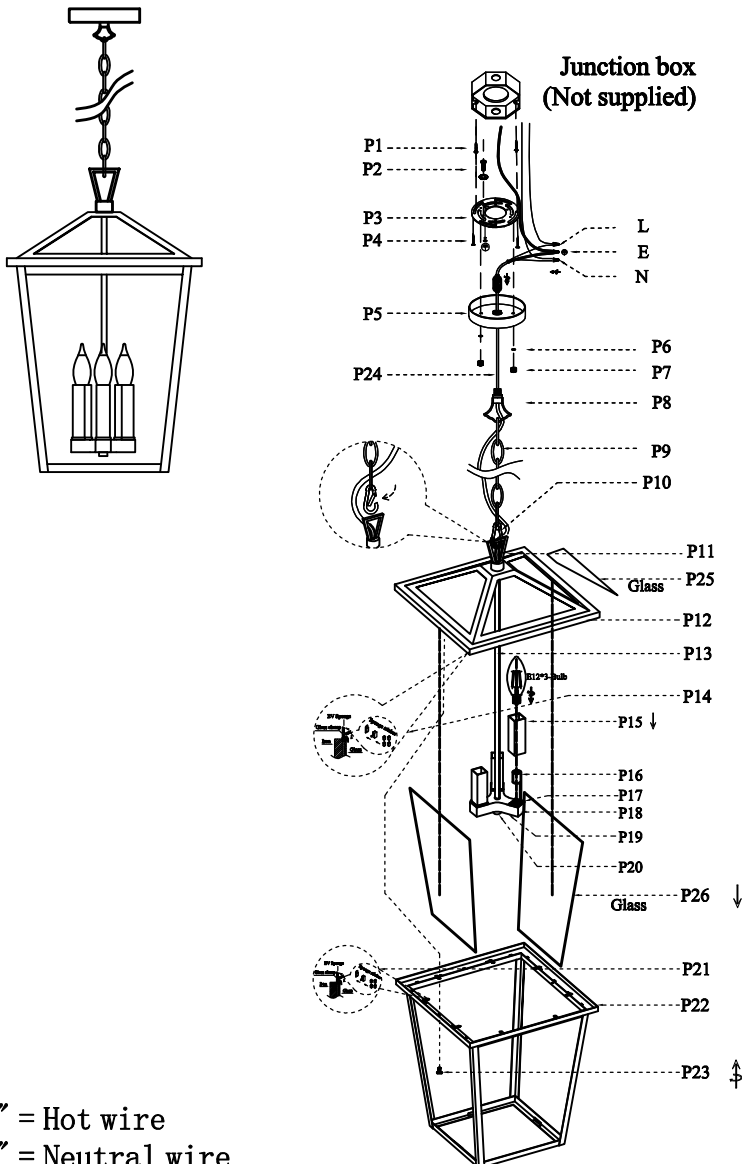


Collection:Frankford
 Installation manual for:

OD334H22BK L14" W14" H22" L3

Installation instructions:

- 1.Install tube(P15)on lamp holder
- 2.Install E12*3 light source.(Bulbs not supplied)
- 3.Put glass(P25)into Connect cover(P12)and stick sponge on clips(P14).Finally curve clips to fix glass
- 4.Put glass(P26)into body(P22)and stick sponge on clips(P21).Finally curve clips to fix glass
- 5.Connect cover(P12)with body(P22) and screw(P23) to fixable.
- 6.Use hook(P10)connect(P11).Twist off screw and mat from the hanging ring(P8) and across the middle hole of canopy(P5) and use screw and mat lock in again.
- 7.Secure mounting bracket to the junction box
- 8.Black wire from ceiling(junction box) attaches to "L"wire from the fixture
- 9.White wire from ceiling(junction box) attaches to "N"wire from the fixture
- 10."E" wire from the ceiling attaches to "E" wire from the fixture.
- 11.Screw (P2) through to canopy hole(P5) and then put rubber ring(P6) and twist screw cap(P7) to fix mounting bracket(P3).



Part Number	Picture	Description	Qty
CP12H01BK	P1	Explosion screw	2
	P2	Screws M4	2
	P3	Mounting bracket Ø3.94	1
	P4	Screws M4	2
	P5	Canopy(Ø4.7"*Ø0.78")	1
	P6	Rubber ring	2
	P7	Screw cap	2
Chain04PBK	P8	Hanging rings L1.57"*W0.59"*H1.57"	1
	P9	Chain (L39")	1
	P10	Hook (L1.57"*W0.78"*H0.15")	1
	P11	55*30*80MM Ring	1
P-OD334H22BK-1	P12	360*360*H100MM Cover	1
	P13	Ø11.5*L438MM Tube	1
	P14	EV Sponge Sponge sticker	12
	P15	22*22*100MM Tube	3
	P16	E12 Holder	3
	P17	24*24*5MM Cover	3
	P18	113*98*23MM Box	1
	P19	111*96.MM Plate	1
	P20	Ø15*H8MM Column parts	1
	P21	EV Sponge Sponge sticker	12
	P22	355*355*393MM Body	1
	P23	Screw M4	2
	Cord-59-18#-BK	P24	UL18#,L59"Black
GP12L20	P25	310*153MM Glass	4
	P26	306*379MM Glass	4