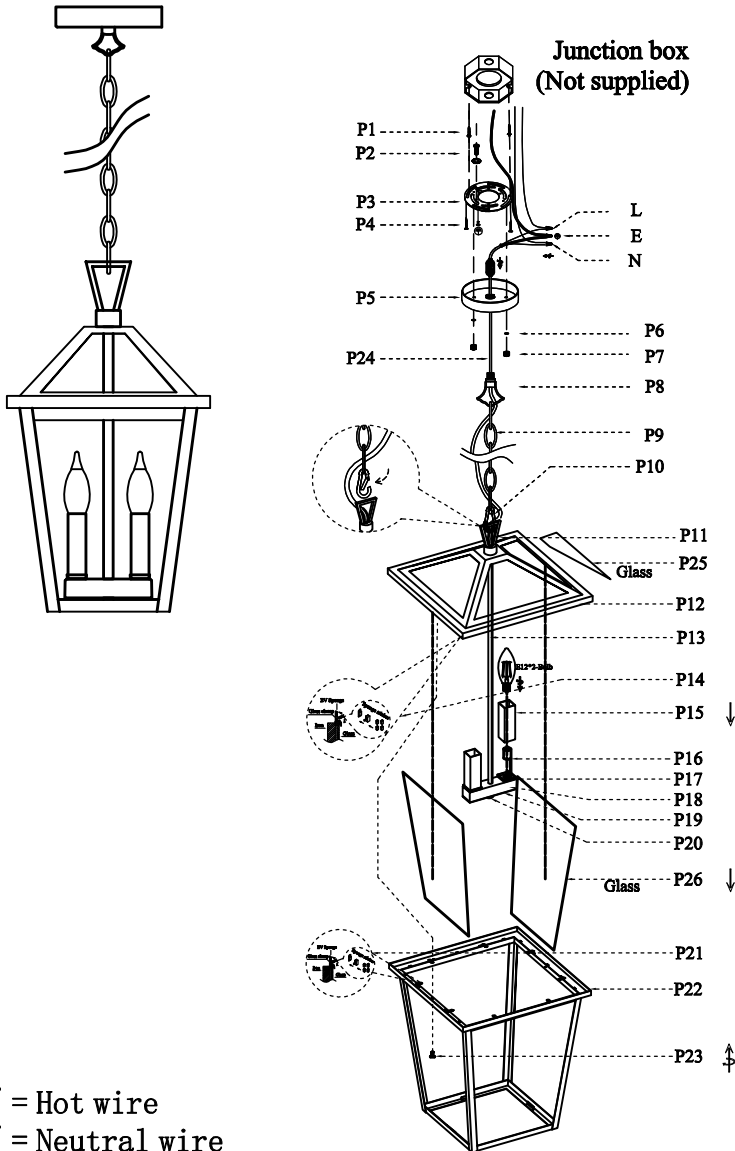


Collection:Frankford
 Installation manual for:

OD334H19BK L12" W12" H19" L2

Installation instructions:

1. Install tube(P15) on lamp holder
2. Install E12*2 light source.(Bulbs not supplied)
3. Put glass(P25) into Connect cover(P12) and stick sponge on clips(P14). Finally curve clips to fix glass
4. Put glass(P26) into body(P22) and stick sponge on clips(P21). Finally curve clips to fix glass
5. Connect cover(P12) with body(P22) and screw(P23) to fixable.
6. Use hook(P10) connect(P11). Twist off screw and mat from the hanging ring(P8) and across the middle hole of canopy(P5) and use screw and mat lock in again.
7. Secure mounting bracket to the junction box
8. Black wire from ceiling(junction box) attaches to "L" wire from the fixture
9. White wire from ceiling(junction box) attaches to "N" wire from the fixture
10. "E" wire from the ceiling attaches to "E" wire from the fixture.
11. Screw (P2) through to canopy hole(P5) and then put rubber ring(P6) and twist screw cap(P7) to fixable



"L" = Hot wire
 "N" = Neutral wire
 "E" = Ground wire

Part Number	Picture	Description	Qty
CP12H01BK	P1	Explosion screw	2
	P2	Screws M4	2
	P3	Mounting bracket $\phi 3.94$	1
	P4	Screws M4	2
	P5	Canopy($\phi 4.7 \times 0.78$ ")	1
	P6	Rubber ring	2
	P7	Screw cap	2
Chain04PBK	P8	Hanging rings L1.57" * W0.59" * H1.57"	1
	P9	Chain (L39")	1
	P10	Hook (L1.57" * W0.78" * H0.15")	1
	P11	55*30*80MM Ring	1
P-OD334H19BK-1	P12	300*300*H100MM Cover	1
	P13	$\phi 11.5 \times 340$ MM Tube	1
	P14	EV Sponge Sponge sticker	12
	P15	22*22*80MM Tube	2
	P16	E12 Holder	2
	P17	24*24*5MM Cover	2
	P18	107*28*23MM Box	1
	P19	105*26MM Plate	1
	P20	$\phi 15 \times 8$ MM Column parts	1
	P21	EV Sponge Sponge sticker	12
	P22	295*295*313MM Body	1
	P23	Screw M4	2
	Cord-59-18#-BK	P24	UL18#,L59"Black
GP12L19	P25	254*131MM Glass	4
	P26	253*300MM Glass	4