

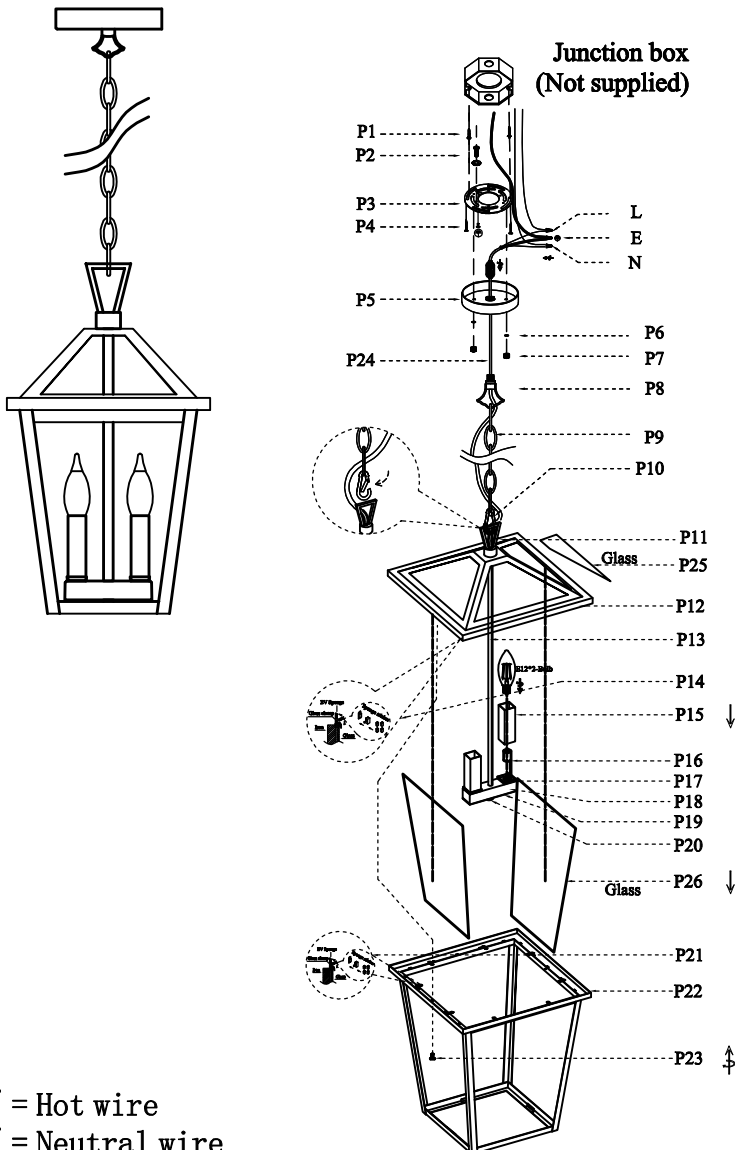
Collection:Frankford

Installation manual for:

OD334H17BK L10" W10" H17" L2

Installation instructions:

1. Install tube(P15) on lamp holder
2. Install E12*2 light source.(Bulbs not supplied)
3. Put glass(P25) into Connect cover(P12) and stick sponge on clips(P14). Finally curve clips to fix glass
4. Put glass(P26) into body(P22) and stick sponge on clips(P21). Finally curve clips to fix glass
5. Connect cover(P12) with body(P22) and screw(P23) to fixable.
6. Use hook(P10) connect(P11). Twist off screw and mat from the hanging ring(P8) and across the middle hole of canopy(P5) and use screw and mat lock in again.
7. Secure mounting bracket to the junction box
8. Black wire from ceiling(junction box) attaches to "L" wire from the fixture
9. White wire from ceiling(junction box) attaches to "N" wire from the fixture
10. "E" wire from the ceiling attaches to "E" wire from the fixture.
11. Screw (P2) through to canopy hole(P5) and then put rubber ring(P6) and twist screw cap(P7) to fixable



"L" = Hot wire
 "N" = Neutral wire
 "E" = Ground wire

Part Number	Picture	Description	Qty
CP12H01BK		Explosion screw	2
		Screws M4	2
		Mounting bracket Ø3.94	1
		Screws M4	2
		Canopy(Ø4.7*0.78")	1
		Rubber ring	2
		Screw cap	2
Chain04PBK		Hanging rings L1.57**W0.59**H1.57"	1
		Chain (L.39")	1
		Hook (L1.57**W0.78**H0.15")	1
P-OD334H17BK-1		55*30*80MM Ring	1
		250*250*H100MM Cover	1
		Ø11.5*290MM Tube	1
		EV Sponge Sponge sticker	12
		22*22*80MM Tube	2
		E12 Holder	2
		24*24*5MM Box	2
		107*28*23MM Box	1
		105*26MM Plate	1
		Ø15*H8MM Column parts	1
		EV Sponge Sponge sticker	12
		245*245*263MM Body	1
		Screw M4	2
Cord-59-18#-BK		UL18#,159"Black	1
GP12L18		205*113MM Glass	4
		203*249MM Glass	4