

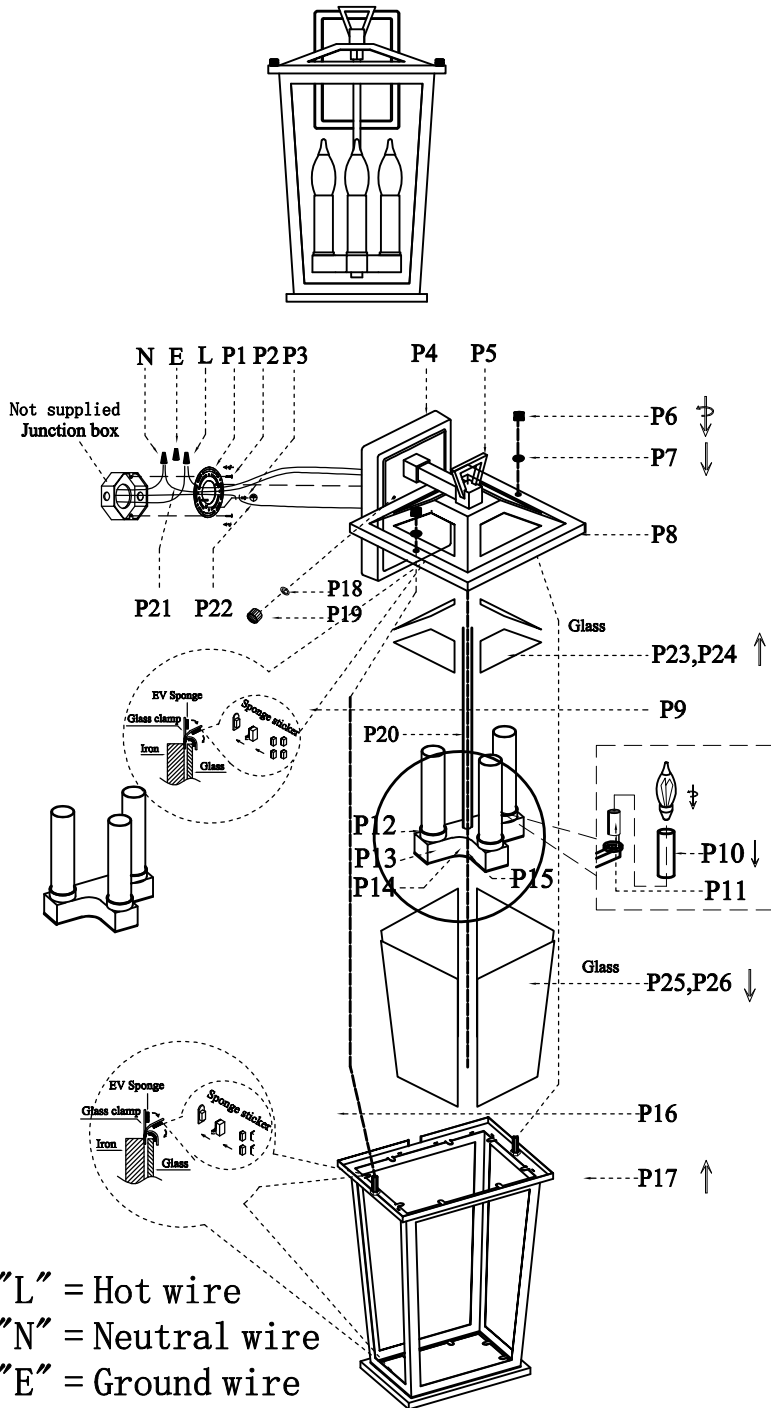
Collection: Berks

Installation manual for:

OD333W16BK W9.5" H16" E8.5" L3

Installation instructions:

1. Install tube(P10) on lamp holder
2. Install E12*3 light source.(Bulbs not supplied) .
3. Put glass(P23,P24)into cover(P8) and stick sponge on clips(P9).Finally curve clips to fix glass.
4. Put glass(P25,P26)into into body(P17) and stick sponge on clips(P16).Finally curve clips to fix glass.
5. Connect cover(P8)with body(P17) and put rubber ring(P5) and screw caps(P6) to fixable.
6. Secure mounting bracket(P1) to the junction box
7. Black wire from ceiling(junction box) attaches to "L" wire from the fixture
8. White wire from ceiling(junction box) attaches to "N" wire from the fixture
9. "E" wire from the ceiling attaches to "E" wire from the fixture.
10. Use rubber ring(P18)and screw(P19) to fixable lamp with wall mounted



Part Number	Part	Picture	Description	Qty	
MB12W01	P1		Mounting bracket Ø3.94	1	
	P2		Mounting bracket screw M4	2	
	P3		Screw M4	1	
P-OD333W16BK-1	P4		160*115*25MM Balk plate	1	
	P5		100*50*50MM Ring	1	
	P6		Screw cap	2	
	P7		Rubber ring	2	
	P8		240*180*40MM Cover	1	
	P9		EV Sponge Sponge sticker	12	
	P10		Ø22*H80MM Tube	3	
	P11		E12 Lamp Holder	3	
	P12		Ø23*5MM Cover	3	
	P13		120*74*23MM T-Box	1	
	P14		117*71MM T-plate	1	
	P15		Ø15*8MM Column Parts	1	
	P16		EV Sponge Sponge sticker	16	
	P17		235*175*319MM Body	1	
	P18		Rubber ring	2	
	P19		Screw cap	2	
	P20		Ø9.3*285MM Tube	1	
	P21		UL18#Ground wire,L9.8"	1	
	P22		UL18#,L12"Black+White	1	
	GP12L17	P23		138*82MM Glass	2
		P24		192*55MM Glass	2
		P25		197*296MM Glass	2
P26			138*297MM Glass	2	