



ELEGANT

FURNITURE & LIGHTING™

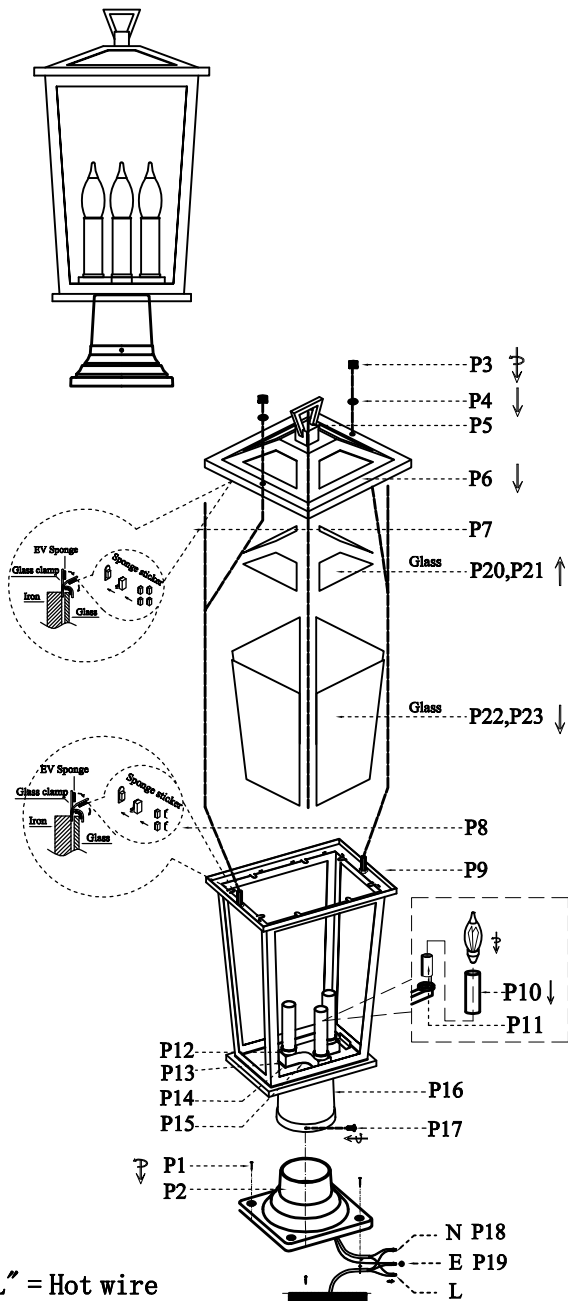
Collection: Berks

Installation manual for:

OD333P21BK L9.5" W7" H20.5"

**Installation instructions:**

1. Install tube(P10) on lamp holder
2. Install E12\*3 light source. (Bulbs not supplied) .
3. Put glass(P20,P21) into cover(P6) and stick sponge on clips(P7). Finally curve clips to fix glass.
4. Put glass(P22,P23) into into body(P9) and stick sponge on clips(P8). Finally curve clips to fix glass.
5. Connect cover(P6) with body(P9) and put rubber ring(P4) with screw caps(P3) to fixable.
6. Black wire from ceiling(junction box) attaches to "L" wire from the fixture
7. White wire from ceiling(junction box) attaches to "N" wire from the fixture
8. "E" wire from the ceiling attaches to "E" wire from the fixture.
9. Use explosion screw (P1) to fix base(P2) into land.
10. Put lamp pole (P16) into base (P2) and use screw (P17) to lock in.



"L" = Hot wire  
 "N" = Neutral wire  
 "E" = Ground wire

Part Number	Part	Picture	Description	Qty
LB12P01	P1	↑ ↑	Explosion screw M4	4
	P2		5.5"*2.95" Lamp base	1
P-OD333P21BK-1	P3	■	Screw cap	2
	P4	●	Rubber ring	2
	P5		50*50*20 Ring	1
	P6		240*180*40MM Cover	1
	P7		EV Sponge Sponge sticker	12
	P8		EV Sponge Sponge sticker	12
	P9		235*175*319MM	1
	P10		∅22*H80MM Tube	3
	P11		E12 Lamp Holder	3
	P12	●	∅23*5MM Cover	3
	P13		120*74*23MM T-BOX	1
	P14		117*71MM T-Plate	1
	P15	⊖	∅15*8MM Column parts	1
	P16		Lamp pole (3.38"*3.22")	1
	P17	⇒	Screws M4	3
	P18		UL18#L11.8"Black+White	1
	P19		UL18#Ground wire,L9.8"	1
GP12L17	P20		138*82MM Glass	2
	P21		192*55MM Glass	2
	P22		197*296MM Glass	2
	P23		138*297MM Glass	2