



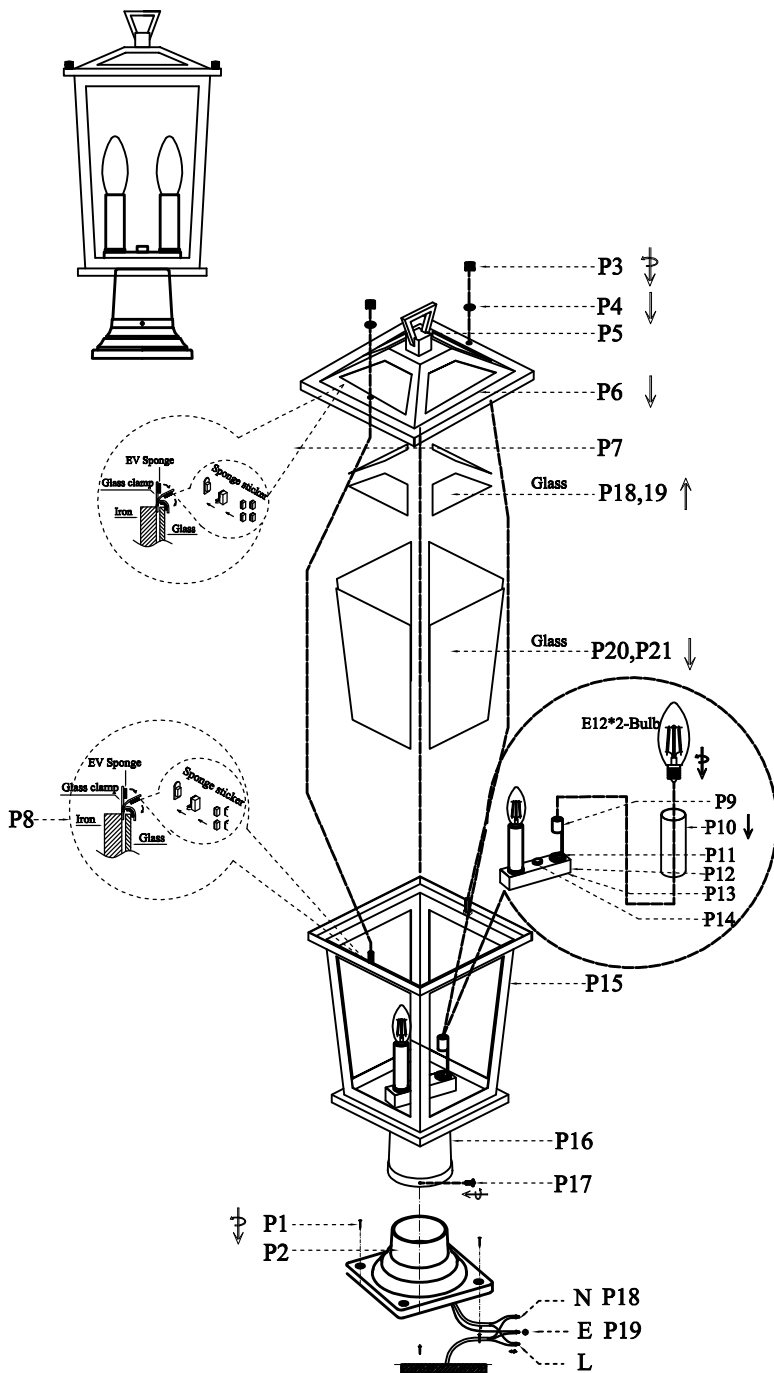
Collection: Berks

Installation manual for:

OD333P20BK L8.5" W6" H19.5" L2

### Installation instructions:

1. Install tube (P10) on lamp holder
2. Install E12\*2 light source. (Bulbs not supplied)
3. Put glass (P20, P21) into cover (P6) and stick sponge on clips (P7). Finally curve clips to fix glass.
4. Put glass (P22, P23) into body (P15) and stick sponge on clips (P8). Finally curve clips to fix glass.
5. Connect cover (P6) with body (P15) and put rubber ring (P3) and screw caps (P4) to fixable.
6. Black wire from ceiling (junction box) attaches to "L" wire from the fixture
7. White wire from ceiling (junction box) attaches to "N" wire from the fixture
8. "E" wire from the ceiling attaches to "E" wire from the fixture.
9. Use explosion screw (P1) to fix base (P2) into land.
10. Put lamp pole (P16) into base (P2) and use screw (P11) to lock in



Part Number	Part	Picture	Description	Qty
LB12P01	P1	↑ ↑	Explosion screw M4	4
	P2		5.5"*2.95" Lamp base	1
P-0D333P20BK-1	P3		Screw cap	2
	P4		Rubber ring	2
	P5		50*50*20MM Ring	1
	P6		220*150*40MM Cover	1
	P7		EV Sponge Sponge sticker	12
	P8		EV Sponge Sponge sticker	12
	P9		E12 Lamp Holder	2
	P10		Ø22*H80MM Tube	2
	P11		Ø23*5MM Cover	2
	P12		107*28*23MM Box	1
	P13		105*26MM plata	1
	P14		Ø15*8MM Column parts	1
	P15		215*145*289MM Body	1
	P16		lamp pole (3.38"*3.22")	1
	P17		Screws M4	3
	P18		UL18#,L11.8"Black+White	1
	P19		UL18#Ground wire,L9.8"	1
	GP12L16	P20		110*73MM Glass
P21			171*43MM Glass	2
P22			108*266MM Glass	2
P23			178*266MM Glass	2

"L" = Hot wire  
 "N" = Neutral wire  
 "E" = Ground wire