



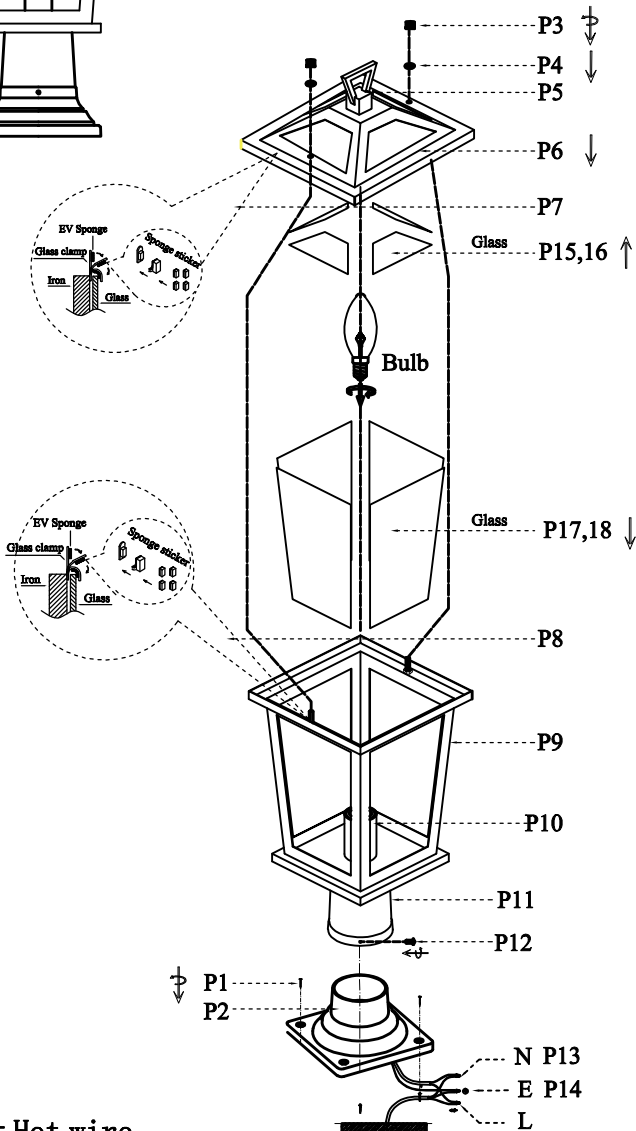
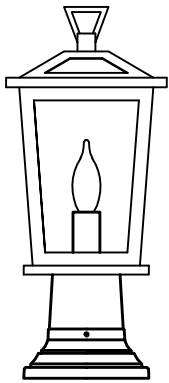
Collection: Berks

Installation manual for:

OD333P17BK L7" W5.5" H16.5" L1

Installation instructions:

1. Install E12 light source. (Bulbs not supplied) .
2. Put glass(P15,16)into cover(P6) and stick sponge on clips(P7). Finally curve clips to fix glass.
3. Put glass(P17,18) into body(P9) and stick sponge on clips(P8). Finally curve clips to fix glass.
4. Connect cover(P6)with body(P9) and use rubber ring(P3) with screw caps to fixable.
5. Black wire from ceiling(junction box) attaches to "L" wire from the fixture
6. White wire from ceiling(junction box) attaches to "N" wire from the fixture
7. "E" wire from the ceiling attaches to "E" wire from the fixture.
8. Use explosion screw (P1)to fix base(P2) into land.
9. Put lamp pole (P11) into base (P2)and use screw (P12) to lock in



"L" = Hot wire
"N" = Neutral wire
"E" = Ground wire

Part Number	Part	Picture	Description	Qty	
LB12P01	P1	↑ ↓	Explosion screw M4	4	
	P2		5.5"*2.95" Lamp base	1	
P-OD333P17BK-1	P3	■	Screw cap	2	
	P4	○	Rubber ring	2	
	P5		50*50*20MM Ring	1	
	P6		180*140*H40MM Cover	1	
	P7		EV Sponge Sponge sticker	12	
	P8		EV Sponge Sponge sticker	12	
	P9		175*135*219MM Body	1	
	P10		E12 Lamp Holder	1	
	P11		lamp pole (3.38"*3.22")	1	
	P12	⇨	Screws M4	3	
	P13		UL18#,L11.8"Black+White	1	
	P14		UL18#Ground wire,L9.8"	1	
	GP12L15	P15		99*56MM Glass	2
		P16		134*40MM Glass	2
P17			137*196MM Glass	2	
P18			98*197MM Glass	2	