

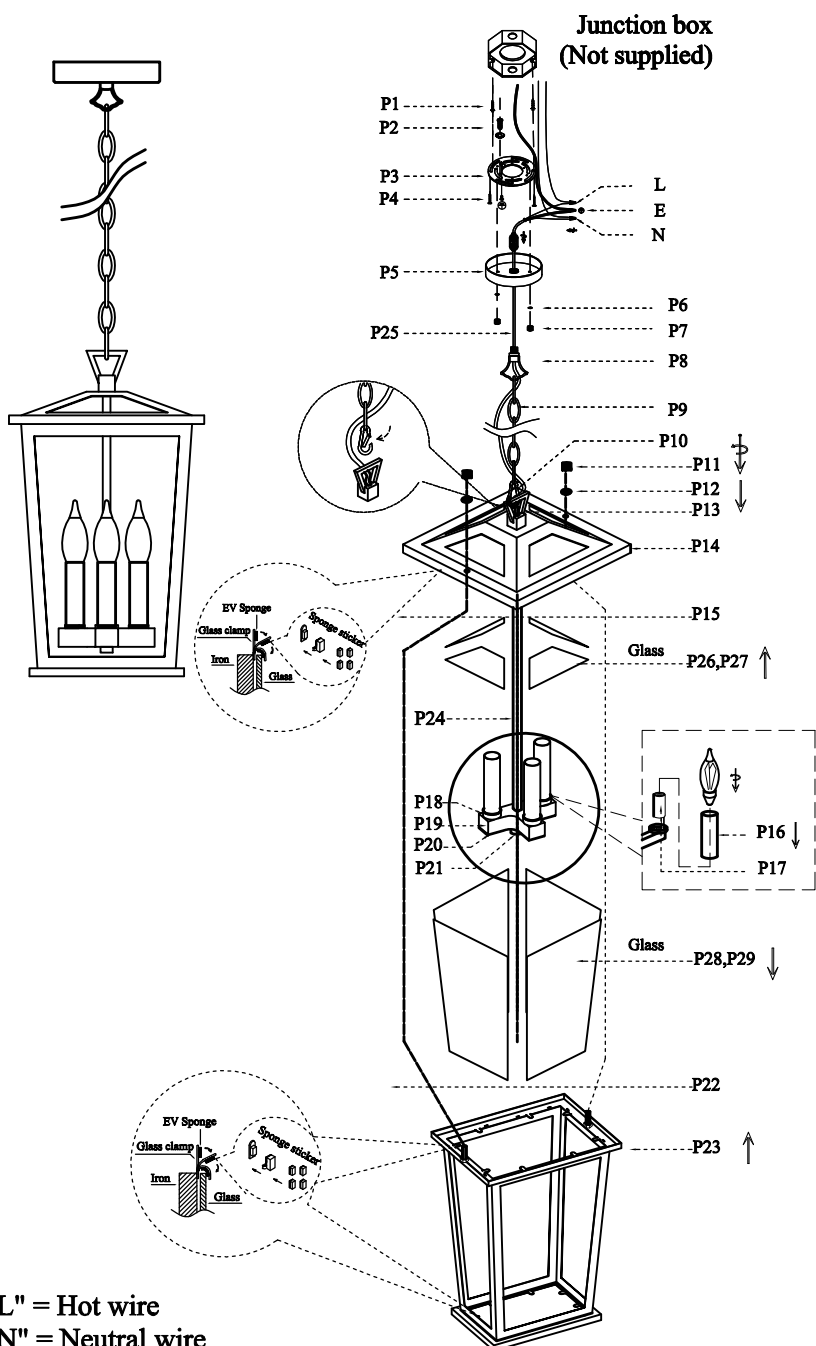
Collection: Berks

Installation manual for:

OD333H16BK L9.5" W7" H15.5" L3

Installation instructions:

1. Install tube(P16) on lamp holder
2. Install E12*3 light source. (Bulbs not supplied)
3. Put glass(P26,P27) into cover(P14) and stick sponge on clips(P15). Finally curve clips to fix glass
4. Put glass(P28,P29) into body(P23) and stick sponge on clips(P22). Finally curve clips to fix glass
5. Connect cover(P14) with body(P23) and put rubber ring(P12) and screw caps(P11) to fixable.
6. Use hook(P10) connect(P13). Twist off screw and mat from the hanging ring(P8) and across the middle hole of canopy(P5) and use screw and mat lock in again.
7. Secure mounting bracket to the junction box
8. Black wire from ceiling(junction box) attaches to "L" wire from the fixture
9. White wire from ceiling(junction box) attaches to "N" wire from the fixture
10. "E" wire from the ceiling attaches to "E" wire from the fixture.
11. Screw (P2) through to canopy hole(P5) and then put rubber ring(P6) and twist screw cap(P7) to fix mounting bracket(P3).



"L" = Hot wire
 "N" = Neutral wire
 "E" = Ground wire

Part Number	Part	Picture	Description	Qty
CP12H01BK	P1		Explosion screw	2
	P2		Screws M4	2
	P3		Mounting bracket Ø3.94	1
	P4		Screws M4	2
	P5		Canopy(Ø4.7"*0.78")	1
	P6		Rubber ring	2
	P7		Screw cap	2
Chain04PBK	P8		Hanging rings L1.57"*W0.59"*H1.57"	1
	P9		Chain (L39")	1
	P10		Hook (L1.57"*W0.78"*H0.15")	1
P-0D333H16BK-1	P11		Screw cap	2
	P12		Rubber ring	2
	P13		50*50*20MM Ring	1
	P14		240*180*40MM Cover	1
	P15		EV Sponge Sponge sticker	12
	P16		Ø22*H80MM Tube	3
	P17		E12 Lamp Holder	3
	P18		Ø23*5MM Cover	3
	P19		120*74*23MM T-Box	1
	P20		117*71MM T-plate	1
	P21		Ø15*8MM Column Parts	1
	P22		EV Sponge Sponge sticker	12
	P23		235*175*319MM Body	1
	P24		Ø9.3*285MM Tube	1
Cord-59-18#-BK	P25		UL18#,L59" Black	1
GP12L17	P26		138*82MM Glass	2
	P27		192*55MM Glass	2
	P28		197*296MM Glass	2
	P29		138*297MM Glass	2